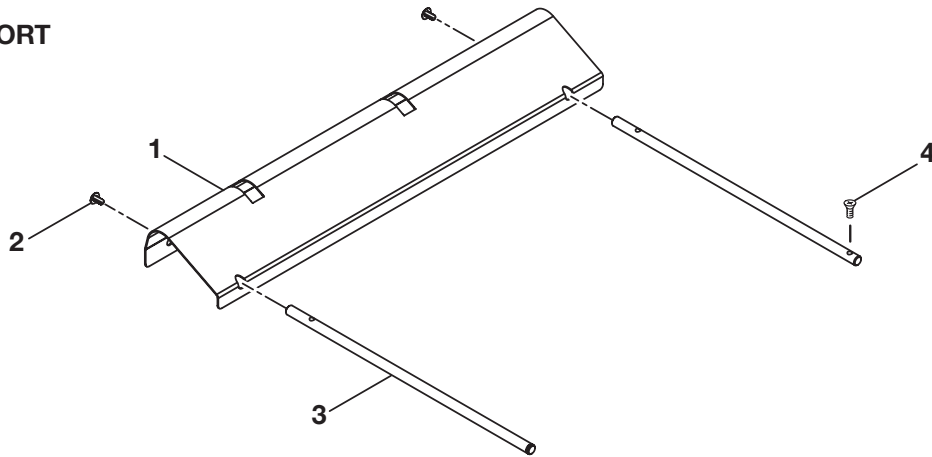


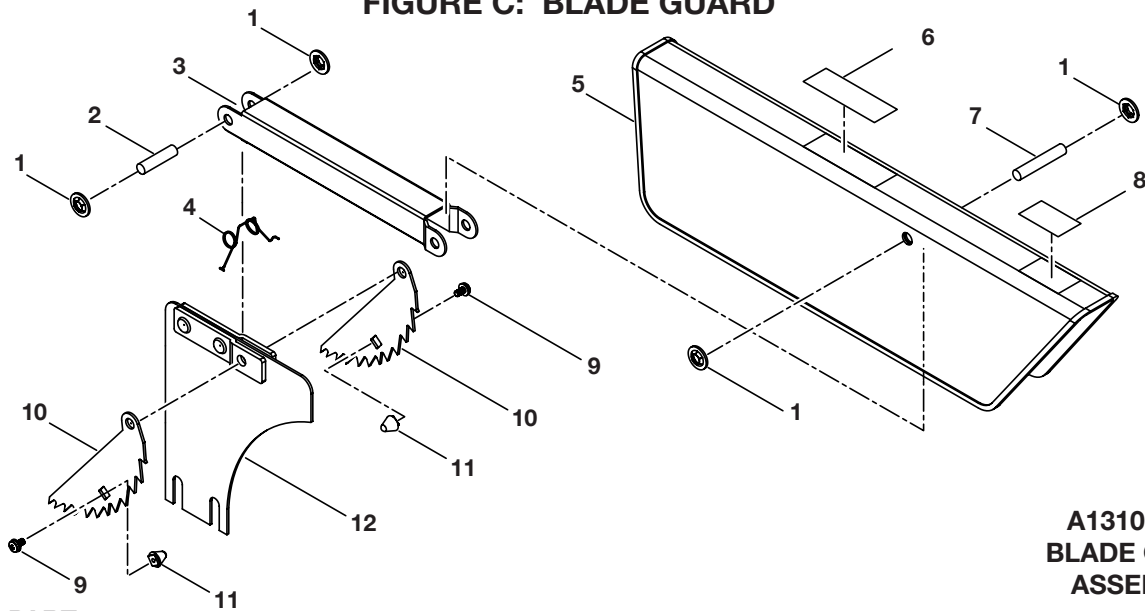
RYOBI 10 in. (254 mm) TABLE SAW - MODEL NO. BTS20
FIGURE B: OUTFEED SUPPORT

A131013901
OUTFEED SUPPORT
ASSEMBLY



KEY NO.	PART NUMBER	DESCRIPTION	QTY.
1	0131010314	OUTFEED SUPPORT	1
2	410551701	SCREW (1/4-20 x 1/2 in.)	2
3	0131010809	OUTFEED SUPPORT ROD	2
4	410182001	STOP SCREW (M4 X 7 mm)	1

FIGURE C: BLADE GUARD

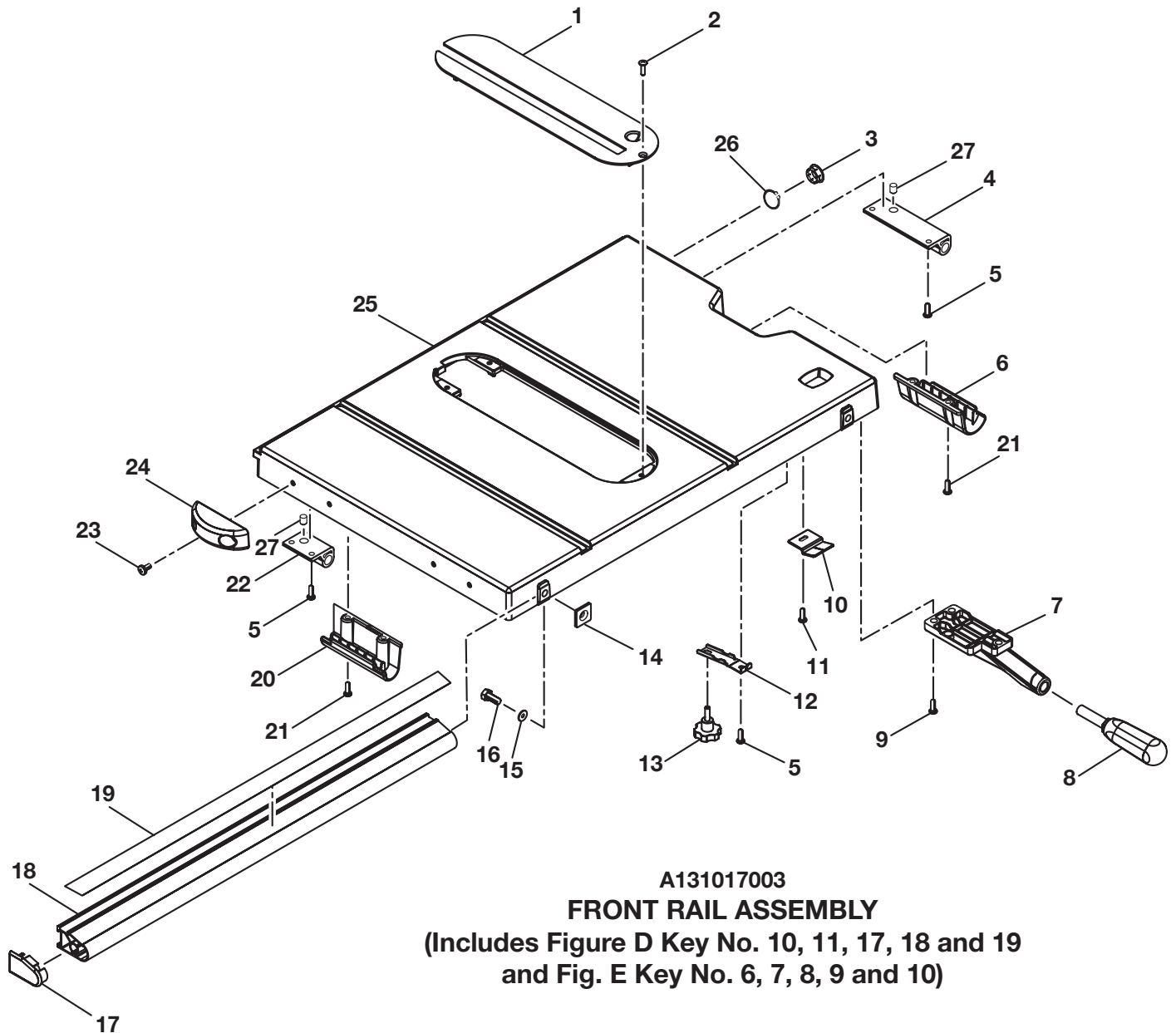


A131011001
BLADE GUARD
ASSEMBLY

KEY NO.	PART NUMBER	DESCRIPTION	QTY.
1	411105701	PUSH NUT (5/16 in.)	4
2	414050003	PIN (5/16 in. x 1-1/4 in.)	1
3	0131010303	ARM	1
4	0181010902	TORSION SPRING	1
5	0131010204	BLADE GUARD	1
6	9181015330203	WARNING LABEL	1
7	414050004	PIN (5/16 in. x 1-3/4 in.)	1
8	9181015330202	HAND WARNING LABEL	1
9	0181010801	SCREW AND WASHER (M4 x 7 mm)	2
10	0181010303	ANTI-KICK BACK PAWL	2
11	0181010202	SPACER CAP	2
12	A131011601	RIVING KNIFE	1

RYOBI 10 in. (254 mm) TABLE SAW - MODEL NO. BTS20

FIGURE D: TABLE



A131017003

FRONT RAIL ASSEMBLY

**(Includes Figure D Key No. 10, 11, 17, 18 and 19
and Fig. E Key No. 6, 7, 8, 9 and 10)**

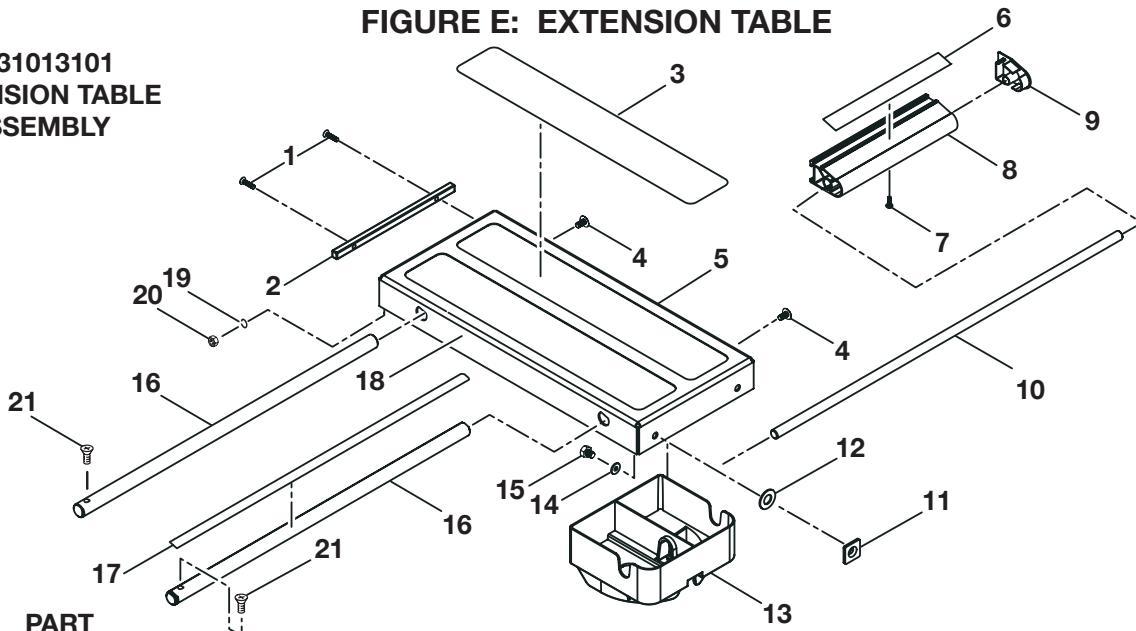
KEY NO.	PART NUMBER	DESCRIPTION	QTY.
1	0131010316-35	THROAT PLATE.....	1
2	410101012	SCREW (10-24 x 3/4 in. FLAT HD.).....	1
3	0131010502	EXTENSION ROD BUSHING	2
4	0131011806	RIGHT OUTFEED BRACKET	1
5	410171707	SCREW (10-24 x 5/8 in. TAPPING)	4
6	0131010221	RIGHT CARRYING HANDLE.....	1
7	0131010108-94	AUXILIARY HANDLE BRACKET	1
8	0181010227	FENCE LOCKING HANDLE/AUXILIARY HANDLE	1
9	0131010814	SCREW (M6 x 25 mm HEX HD.)	4
10	0131010214	EXTENSION ROD INDICATOR.....	1
11	410331009	SCREW (M4 x 8 mm)	1
12	0131010321	EXTENSION ROD CLAMPING PLATE	2
13	0131010225-35	KNOB, EXTENSION ROD	2
14	0181010317	SPECIAL NUT/RAIL WASHER	2
15	412011065	WASHER (D8 x D16 x 0.8T)	2
16	410011723	SCREW (5/16-18 x 14 mm HEX HD.).....	2

RYOBI 10 in. (254 mm) TABLE SAW - MODEL NO. BTS20
PARTS LIST - FIGURE D (CONT'D): TABLE

KEY NO.	PART NUMBER	DESCRIPTION	QTY.
17	0131010219	END CAP (LEFT)	1
18	0131011802	MAIN RAIL	1
19	9131015330301	SCALE, MAIN RAIL	1
20	0131010229	LEFT CARRYING HANDLE	1
21	410171706	SCREW (10-24 x 1/2 in. TAPPING)	2
22	0131011805	LEFT OUTFEED BRACKET	1
23	410331704	SCREW (1/4-20 x 1/2 in.)	4
24	0131010224	BUMPER	2
25	0131010105-33	TABLE	1
26	413011014	C CLIP	2
27	0131011305	RUBBER PLUG	2

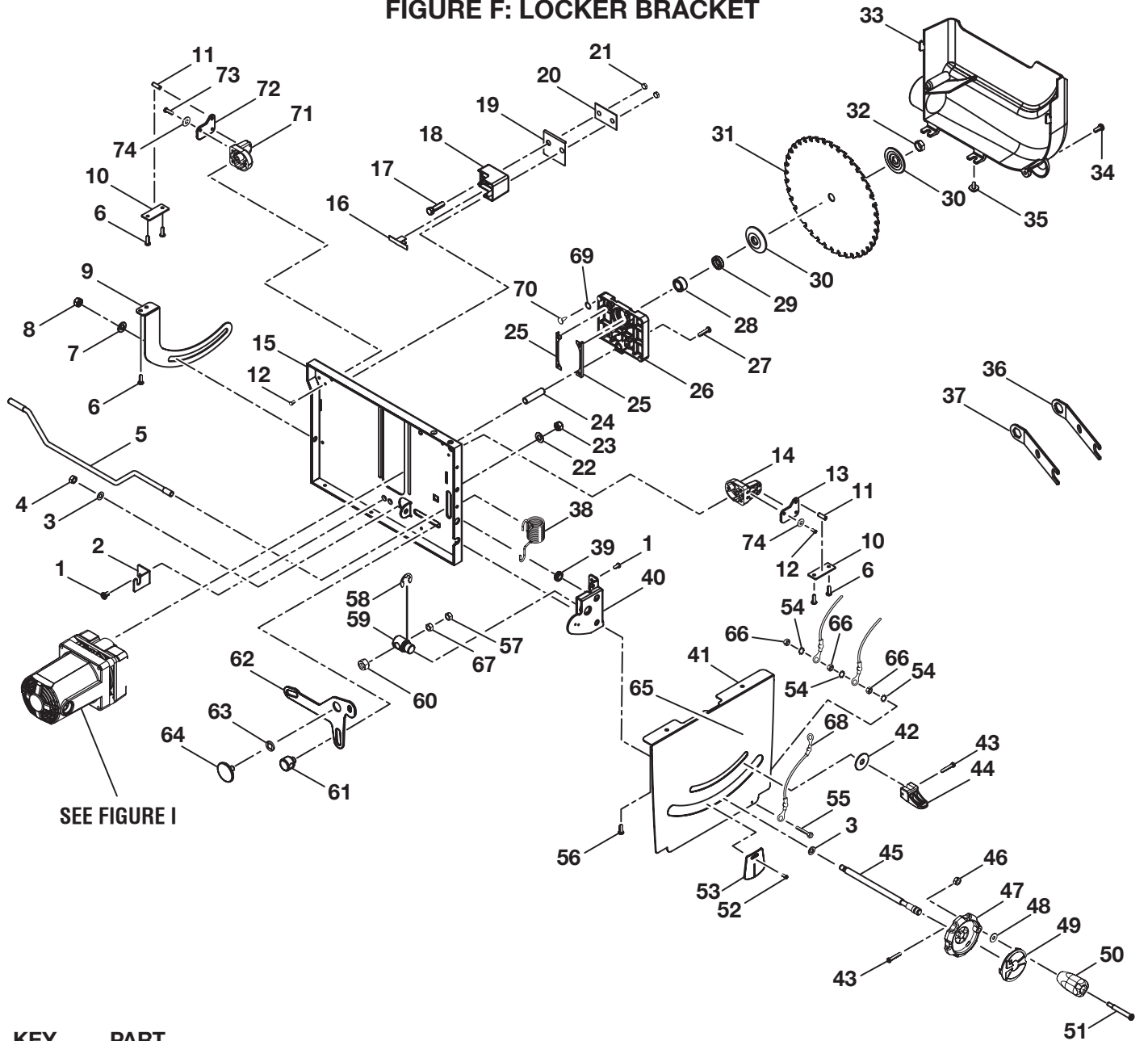
FIGURE E: EXTENSION TABLE

A131013101
EXTENSION TABLE
ASSEMBLY



KEY NO.	PART NUMBER	DESCRIPTION	QTY.
1	410101012	SCREW (10-24 FLAT HD.)	4
2	0131010807	SQUARE BAR	1
3	9131015335703	TEAR-DOWN LABEL	1
4	410551701	SCREW AND WASHER (1/4-20 x 1/2 in.)	2
5	9131015335704	SET-UP LABEL	1
6	9131015330302	SCALE LABEL, SMALL RAIL	1
7	410132730	SCREW (8-32 x 5/8 in.)	1
8	0131011804	SMALL RAIL	1
9	0131010223	END CAP (RIGHT)	1
10	0131010808	JOINT BAR	1
11	0181010317	SPECIAL NUT/RAIL WASHER	2
12	412017086	WASHER (D11 x D28 x 2.5T)	2
13	0131010220	MITER GAUGE HOLDER	1
14	412011065	WASHER (D8 x D16 x 0.8T)	2
15	410011720	HEX SCREW (5/16-18 x 3/8 in.)	2
16	0131010806	EXTENSION ROD	2
17	9131015330303	EXTENSION ROD SCALE	1
18	0131010313	EXTENSION TABLE	1
19	412021703	LOCK WASHER (M10)	2
20	411011712	HEX NUT (10-24 UNC)	2
21	410182001	SCREW (4 x 7 mm PAN HD. TAPPING)	2

RYOBI 10 in. (254 mm) TABLE SAW - MODEL NO. BTS20
FIGURE F: LOCKER BRACKET



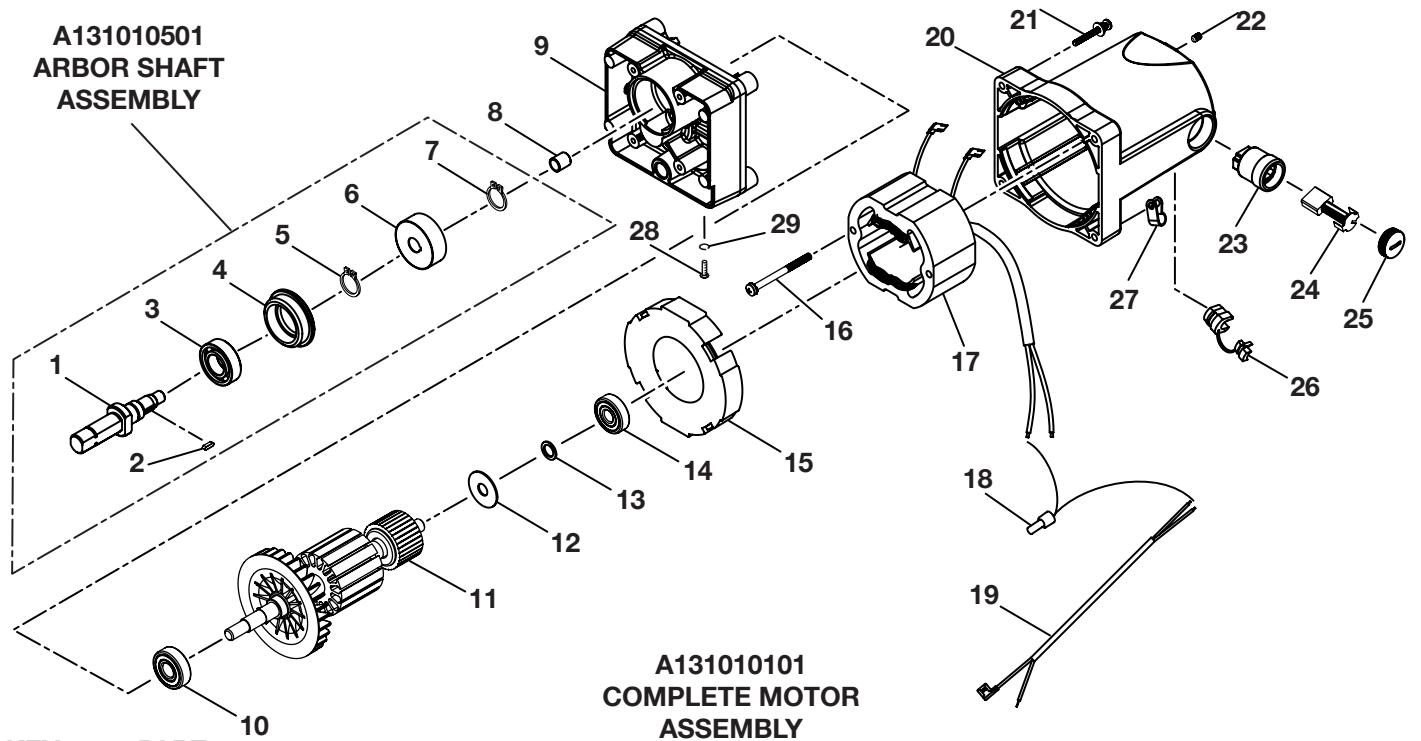
SEE FIGURE I

KEY NO.	PART NUMBER	DESCRIPTION	QTY.
1	410132736	SCREW (1/4-20 x 3/8 in.)	4
2	0131010311	SUPPORTER	1
3	412017051	WASHER (D8 x D16 x 0.8T)	2
4	411011003	HEX NUT (M8)	1
5	0131010905	CRANK	1
6	410171706	SCREW (10-24 x 1/2 TAPPING)	8
7	412012074	WASHER (D10 x D26 x 2T)	1
8	411072004	NYLON NUT (M10)	1
9	0131010308	REAR LINKAGE	1
10	0181010323	CLAMP PLATE	2
11	0181010905	NEEDLE ROLLER	2
12	410171706	SCREW (10-24 x 1/2 in. TAPPING)	12
13	0181010312	PIVOT PLATE (FRONT)	1
14	0131010103	PIVOT SUPPORT (FRONT)	1
15	0131010306	LOCKER BRACKET	1
16	0181010320	FIX PLATE	1
17	410011718	SCREW (5/16-18 x 1-1/4 in. HEX HD.)	2

**RYOBI 10 in. (254 mm) TABLE SAW - MODEL NO. BTS20
PARTS LIST - FIGURE F (CONT'D): LOCKER BRACKET**

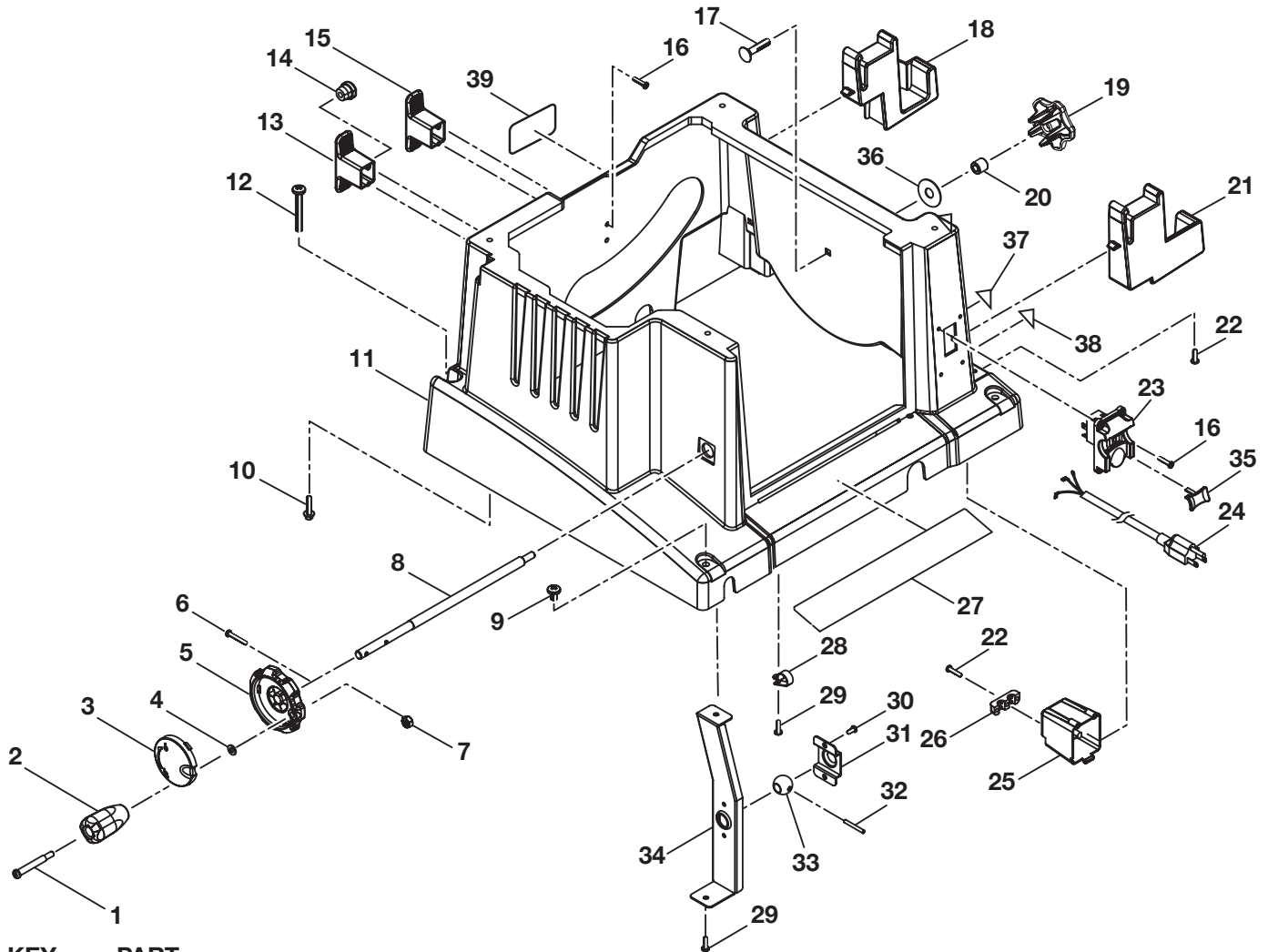
KEY NO.	PART NUMBER	DESCRIPTION	QTY.
18	0131010106	RIVING KNIFE DECK	1
19	0181010343	SHIM	5
20	0181010321	RIVING CLAMP	1
21	411011710	HEX NUT (5/16-18)	2
22	412012706	WASHER (3/8 x 20 mm x 2T)	1
23	411072709	NYLON NUT (3/8-16)	1
24	414050007	PIN (12 x 25 mm)	1
25	0131010302	SHIM	2
26	0131010107	GEAR BOX	1
27	0181010823	SCREW AND WASHER (10-24 x 1 in.)	4
28	0181010504	1/2 in. SPACER	1
29	0181010503	1/4 in. SPACER	1
30	0181010401	BLADE WASHER	2
31	422010040	BLADE (10 in. x 5/8 in. X 36T)	1
32	0131010912	ARBOR NUT (5/8-18)	1
33	0131010205	DUST COVER	1
34	410131724	SCREW (1/4-20 x 5/8 in.)	2
35	410331703	SCREW (1/4-20 x 5/8 in.)	2
36	0131010319	WRENCH (SMALL)	1
37	0131010318	WRENCH (LARGE)	1
38	0131010913	SPRING	1
39	0131010914	SPACER	1
40	0131010310	BRACKET	1
41	0131010312-33	FRONT PANEL	1
42	412012074	WASHER (D10 x 26 x 2.0)	1
43	410132719	SCREW (8-32 x 1-3/16 in.)	2
44	0131010227	BEVEL LOCKER	1
45	0131010804	GEAR SHAFT (HEIGHT)	1
46	411072702	LOCK NUT (1/4-20)	1
47	0131010206	HANDWHEEL	1
48	412011712	FLAT WASHER (1/4 x 13 x 1.5)	1
49	0101140206	HANDWHEEL INSERT	1
50	0131010208	WHEEL HANDLE	1
51	0101140203	SPECIAL HANDWHEEL SCREW	1
52	410331008	SCREW (M4 X 10 mm)	2
53	0131010215	BEVEL INDICATOR	1
54	412041002	STAR WASHER (M4)	3
55	0181010816	SCREW (8-32 X 3/4")	1
56	0181010814	SCREW (10-24 x 1/2 in. TAPPING)	2
57	411011003	HEX NUT (M8)	2
58	413051008	C-CLIP (E-15)	1
59	0131010906	BLOCK	1
60	0131010927	NUT	2
61	0131010301	DRIVE BLOCK	1
62	0131010305	DRIVE PLATE	1
63	0131010907	WASHER	1
64	0131010803	SCREW (3/8-16 x 1/2 in.)	1
65	9131015330101	NAME PLATE (LOGO PLATE)	1
66	411011008	HEX LOCK NUT (8-32 X 3/4)	3
67	411021001	HEX NUT (M8)	1
68	0131011101	GROUNDING WIRE TO STAND	1
69	0131010238	WEAR PAD	4
70	0131010239	NYLON WASHER	4
71	0131010111	PIVOT SUPPORT (REAR)	1
72	0131010332	PIVOT PLATE (REAR)	1
73	410341001	HEX SOCKET SCREW WITH WASHER (M5 X 16 mm)	2
74	412011007	FLAT WASHER (D5 x D12 x 1.5T)	2

RYOBI 10 in. (254 mm) TABLE SAW - MODEL NO. BTS20
FIGURE G: MOTOR



KEY NO.	PART NUMBER	DESCRIPTION	QTY.
1	0131010602	ARBOR	1
2	415030001	KEY (3 x 3 x 10 mm).....	1
3	420010003	BALL BEARING (6002LU, Z).....	1
4	0101010505	BEARING BUSHING	1
5	413011001	C-CLIP (S15)	1
6	0131011001	REDUCTION GEAR.....	1
7	413011009	C-CLIP (S13)	1
8	420110003	NEEDLE BEARING (HK0910)	1
9	0131010101	GEAR BOX	1
10	420010001	BALL BEARING (6201LLU CM,5C).....	1
11	A131010301	ARMATURE ASSEMBLY	1
12	0181010344	INSULATION PLATE.....	1
13	0181010307	INSULATION PLATE.....	1
14	420010004	BALL BEARING (6200LU CM,5C).....	1
15	0131010202	BAFFLE	1
16	410462002	SCREW AND STAR WASHER (M5 x 60 mm).....	2
17	A131010401	FIELD	1
18	451020002	WIRE NUT	2
19	0131010703	POWER CORD.....	1
20	0131010201	MOTOR HOUSING.....	1
21	410271701	SCREW AND WASHER (3/16-32UNF x 1-3/8 in.).....	4
22	410071004	SET SCREW (M5 x 10 mm).....	2
23	0502020221	BRUSH HOLDER ASSEMBLY	2
24	0502025002	BRUSH ASSEMBLY	2
25	0602200209	BRUSH CAP	2
26	451010003	STRAIN RELIEF.....	1
27	0301030202	WIRE CLAMP (5/16 in.).....	1
28	410131002	SCREW (M4 x 8 mm)	1
29	412041002	LOCK WASHER (M4)	1
	983000166	OPERATOR'S MANUAL	
	983000166R	REPAIR SHEET	
	01-04-07		
	(REV:04)		

RYOBI 10 in. (254 mm) TABLE SAW - MODEL NO. BTS20
FIGURE H: CABINET

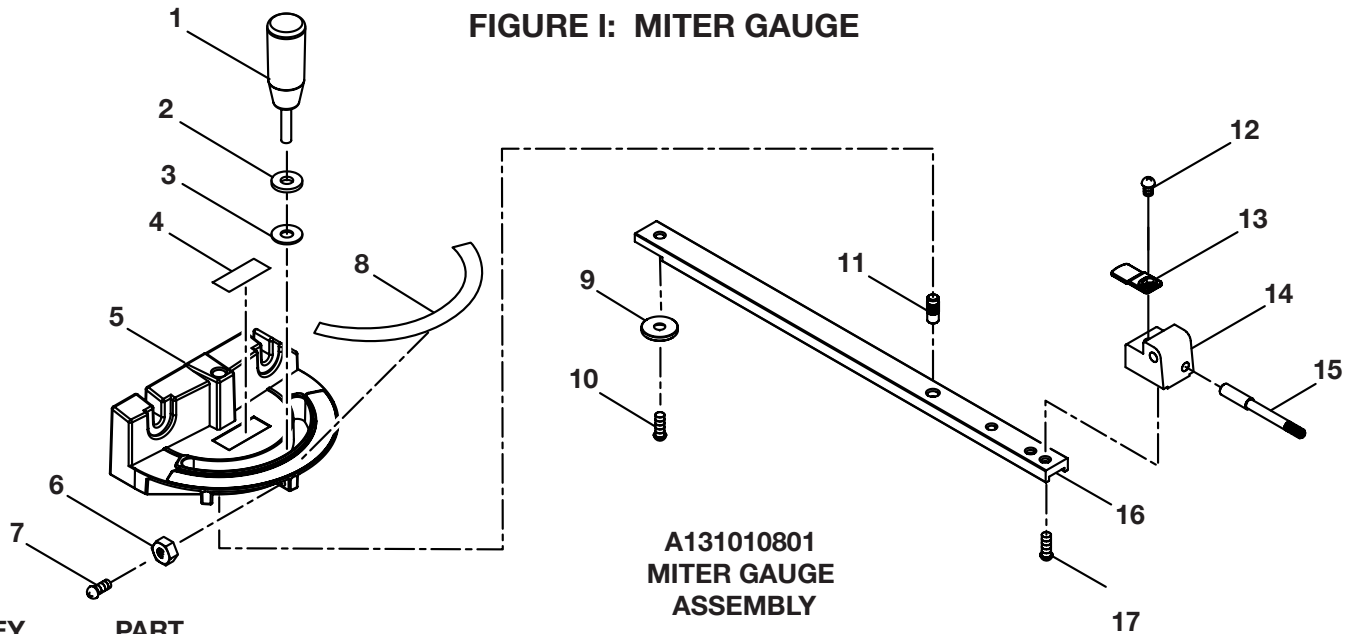


KEY NO.	PART NUMBER	DESCRIPTION	QTY.
1	0101140203	HANDWHEEL BOLT	2
2	0131010208	HANDWHEEL HANDLE.....	1
3	0131010207-35	BEVEL HANDWHEEL CAP	1
4	412011712	FLAT WASHER (1/4 x 13 x 1.5)	1
5	0131010206	FRONT HANDWHEEL.....	1
6	410132719	SCREW (8-32 x 1-3/16 in.).....	1
7	411072702	LOCK NUT (1/4-20).....	1
8	0131010805	SCREW ROD	1
9	0131010815	TORQUE SCREW (5/16-18 x 1/2 in.)	2
10	410161004	LOCK SCREW (M6 x 25 mm).....	4
11	0131010203-39	CABINET	1
12	0131010816	TORQUE SCREW (5/16-18 x 1-1/4 in.).....	2
13	0131010217-39	CABLE MANAGEMENT (LEFT)	1
14	451010003	STRAIN RELIEF.....	1
15	0131010222-39	CABLE MANAGEMENT (RIGHT).....	1
16	410191005	SCREW (M4 x 20 mm PAN HD.)	8
17	410031710	CARRIAGE BOLT (5/16-18 x 1-1/2 in.)	1
18	0131010212-39	FENCE HANGER (REAR)	1
19	0131010240	BLADE STORAGE KNOB.....	1
20	0171010216	BLADE STORAGE SPACER.....	1
21	0131010211-39	FENCE HANGER (FRONT).....	1
22	410451703	SCREW (8-16 x 3/4 in.).....	7
23	984406-001	SWITCH	1
24	0131010702	CABLE	1

RYOBI 10 in. (254 mm) TABLE SAW - MODEL NO. BTS20
PARTS LIST - FIGURE H (CONT'D): CABINET

KEY NO.	PART NUMBER	DESCRIPTION	QTY.
25	0131010209	SWITCH BOX.....	1
26	0131010210	CABLE CLAMP.....	1
27	9131015330201	WARNING LABEL.....	1
28	0301030202	WIRE CLAMP (5/16).....	4
29	410451701	SCREW (8-16 x 1/2 in.).....	5
30	410132728	SCREW (1/4-20 x 3/8 in.).....	2
31	0131010328	PLATE.....	1
32	414011021	SPRING PIN (M4 x 24 mm).....	1
33	0131010926	BALL.....	1
34	0131010320	REINFORCE PLATE.....	1
35	984406-003	SWITCH KEY.....	1
36	412015087	WASHER (D11 x 26 x 2T).....	1
37	9131015335706	LOCK LABEL.....	1
38	9131015335705	UNLOCK LABEL.....	1
39	9131015333101	DATA PLATE (BTS20).....	1

FIGURE I: MITER GAUGE



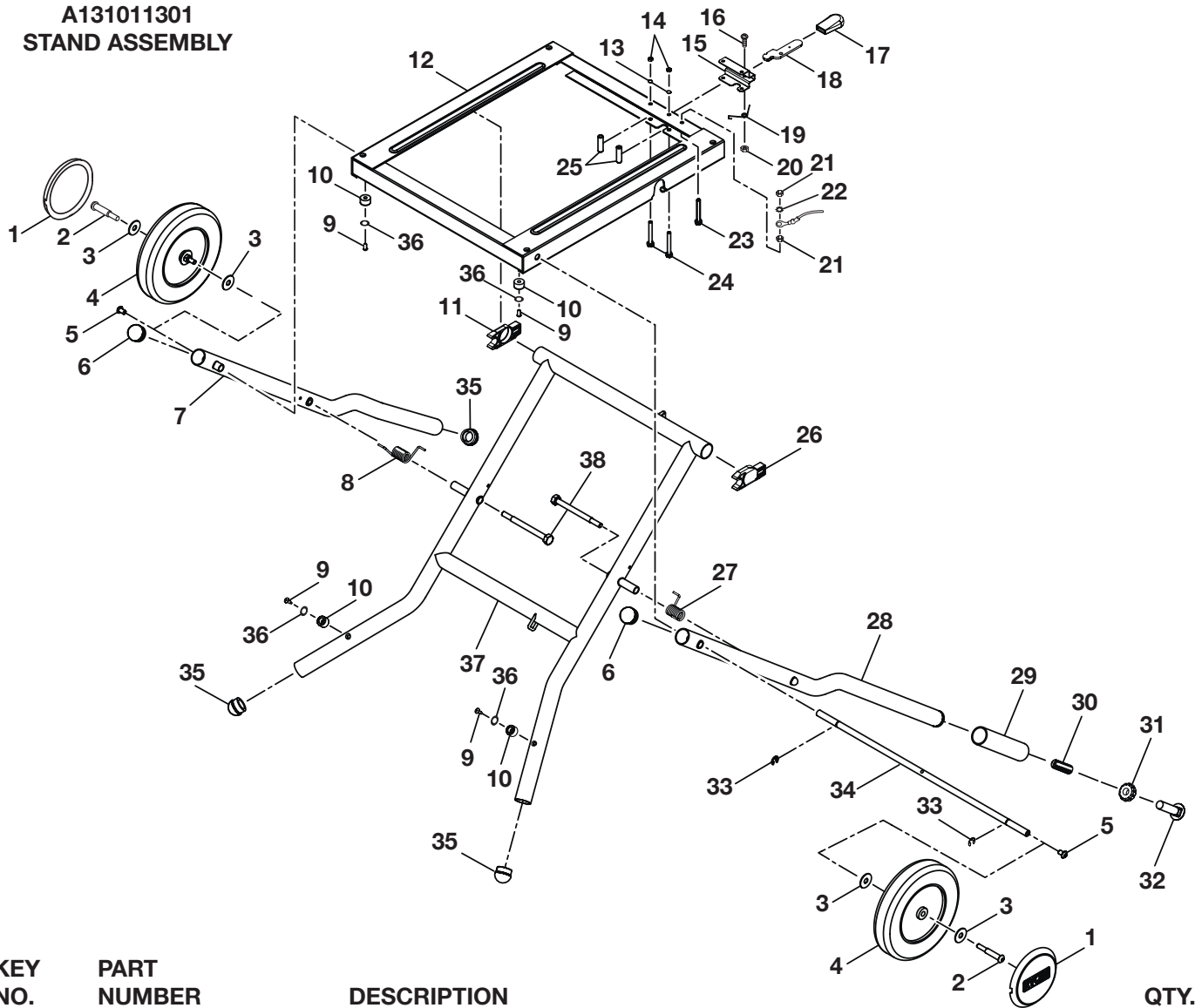
**A131010801
MITER GAUGE
ASSEMBLY**

KEY NO.	PART NUMBER	DESCRIPTION	QTY.
1	A131015202	KNOB.....	1
2	412012705	WASHER.....	1
3	412080702	NYLON WASHER.....	1
4	9131015330102	LOGO LABEL.....	1
5	0131010109-94	MITER GAUGE HEAD.....	1
6	411012704	HEX NUT.....	3
7	410132734	SCREW.....	3
8	9131015330304	MITER SCALE LABEL.....	1
9	0131010928	MITER SLIDER WASHER.....	1
10	410102014	SCREW (M6 x 8 mm).....	1
11	0101010917	CENTER PIN.....	1
12	410332701	SCREW.....	1
13	0131010329	MITER INDICATOR.....	1
14	0131010110	INDICATOR DECK.....	1
15	0101010918	INDEX PIN.....	1
16	0131011807	BAR.....	1
17	410102701	SCREW.....	2

RYOBI 10 in. (254 mm) TABLE SAW - MODEL NO. BTS20

FIGURE J: STAND

A131011301 STAND ASSEMBLY

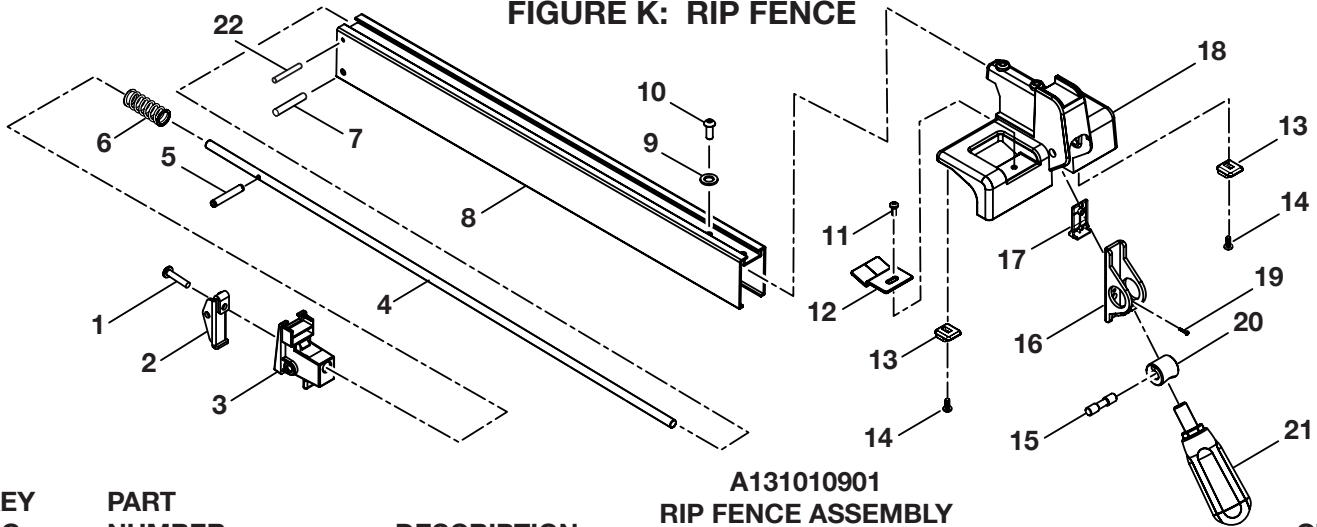


KEY NO.	PART NUMBER	DESCRIPTION	QTY.
1	0131010234	WHEEL CAP.....	2
2	0131010812	SHOULDER BOLT.....	2
3	412011085	WASHER.....	4
4	0131010235	8 in. WHEEL.....	2
5	410491704	HEX SCREW (5/16-18 X 57.2 mm).....	2
6	0131010233	CAP.....	2
7	A131016302	REAR LEG.....	1
8	0131010917	REAR SPRING.....	1
9	410131731	SCREW (1/4-20 x 1/2 in.).....	4
10	0131011302	PAD.....	4
11	0131010230	SLIDER.....	1
12	A131017001	SLIDER FRAME.....	1
13	412041702	STAR WASHER (1/4 in.).....	2
14	411011707	HEX NUT (1/4 in.).....	2
15	0131010323-112	LATCH.....	1
16	0131010810	SCREW.....	1
17	0131011301	LATCH COVER.....	1
18	0131010322	LATCH BAR.....	1
19	0131010915	LATCH SPRING.....	1
20	411071702	HEX NUT (1/4 in.).....	1
21	411011008	HEX LOCK NUT (8-32 x 3/4 in.).....	2
22	412041002	STAR WASHER (M4).....	1

RYOBI 10 in. (254 mm) TABLE SAW - MODEL NO. BTS20
PARTS LIST - FIGURE J (CONT'D): STAND

KEY NO.	PART NUMBER	DESCRIPTION	QTY.
23	0181010816	SCREW (M4 x 6 mm)	1
24	410011722	HEX SCREW (1/4-20 x 2 in.)	2
25	0131010923	PIN	2
26	0131010231	SLIDER.....	1
27	0131010916	TORSION SPRING	1
28	A131016301	FRONT LEG	1
29	0131011304	HANDLE TUBE.....	1
30	0131010918	ADJUST SPRING	1
31	0131010232	ADJUST RING.....	1
32	410031714	CARRIAGE BOLT (5/8-11 x 88.9 mm).....	1
33	413061001	C-CLIP (CTW46)	2
34	0131010813	LINKAGE ROD	1
35	0131011303	PAD	3
36	412011025	WASHER	4
37	A131016303	SLIDE LEG	1
38	0131010811	SCREW	2

FIGURE K: RIP FENCE



A131010901

RIP FENCE ASSEMBLY

KEY NO.	PART NUMBER	DESCRIPTION	QTY.
1	410139719	NYLOCK SCREW (10-32 x 1 in.).....	1
2	0131010317	CLAMPER - B	1
3	0131010218	REAR DECK	1
4	0131010908	PUSH ROD.....	1
5	414011023	ROLL PIN (D3.175 X 19.05 mm)	1
6	0181010907	COMPRESSION SPRING	1
7	414050008	PIN (D6 X 33.7).....	1
8	0131011801	RIP FENCE RAIL	1
9	412011064	WASHER (D7 X D16 X 1.5T).....	2
10	410491703	SCREW (1/4-20 x 5/8 in.).....	2
11	410331008	SCREW AND WASHER (M4 x 10 mm).....	1
12	0131010216	SCALE INDICATOR.....	1
13	0131010213	SLIDER.....	2
14	410171716	SCREW (8-32 x 9.5 mm)	2
15	0131010909	PIN	1
16	0131010315	CLAMPER - A	1
17	0131010226	BLOCK.....	1
18	0131010104-94	FRONT BLOCK.....	1
19	410195012	SCREW (M3 x 8 mm)	1
20	0181010506	ECCENTRIC ROLLER.....	1
21	0181010227	FENCE LOCKING HANDLE/AUXILLIARY HANDLE.....	1
22	414050010	PIN (D4).....	1