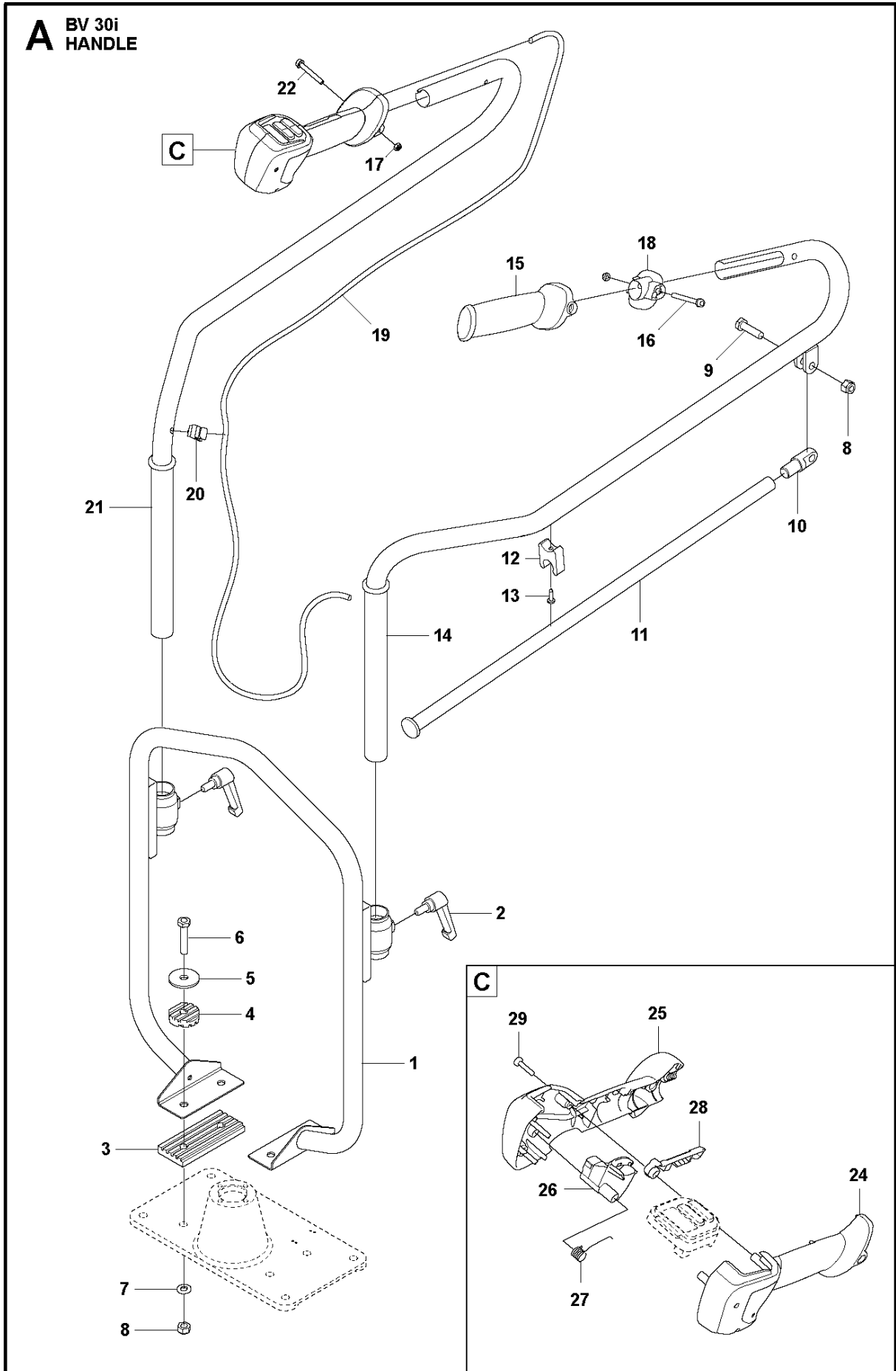




SPARE PARTS LIST

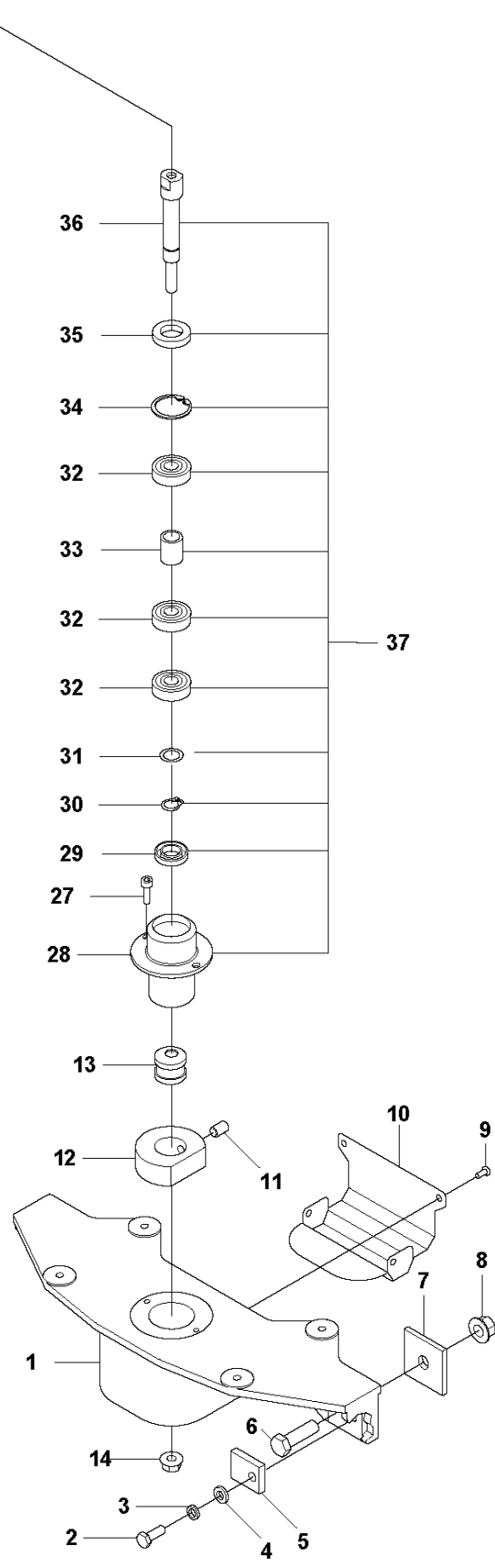
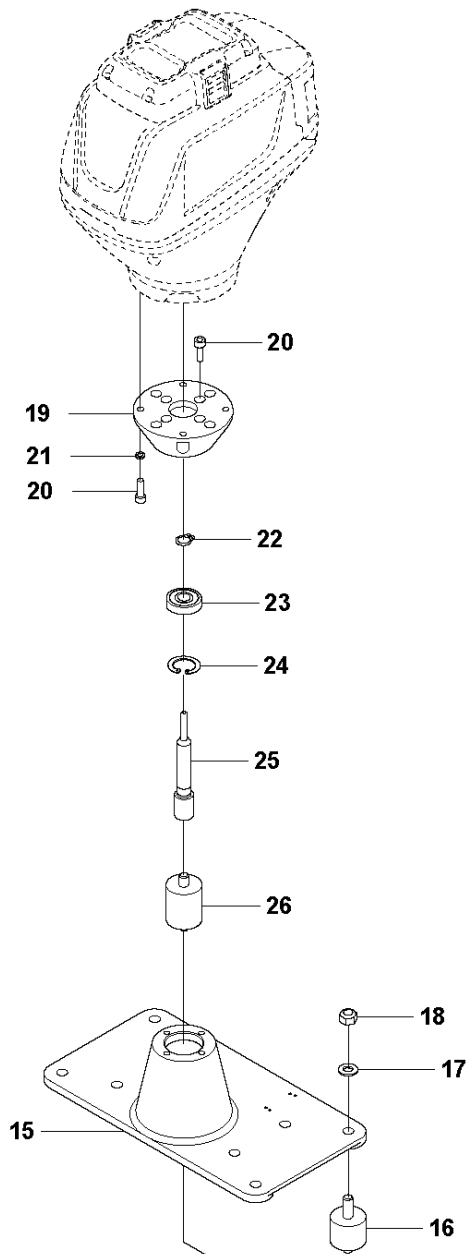
BEAMS & SCREEDS

BV 30i, 967973801, 2021-06



Ref	Part No	Description	Remark	QTY KIT
1	529 56 74-01	FRAME		1
2	594 68 31-01	LEVER		2
3	594 69 91-01	PLATE		2
4	594 88 98-01	WASHER		4
5	595 16 77-01	WASHER	SRKB 9x35x3 FZB	4
6	595 03 35-01	SCREW	M8x40 ISO4014 8.8 A2K	4
7	595 03 66-01	WASHER	M8 ISO7089 200HV A2K	4
8	595 35 23-01	NUT	M8 ISO7040 8 A2K	5
9	595 34 43-01	SCREW	M8x30 ISO4017 8.8 A2K	1
10	595 46 11-02	BRACKET		1
11	594 69 93-01	BAR		1
12	529 47 67-01	BRACKET		1
13	594 83 30-01	SCREW	ST4.2x16 CL8.8 DIN7981 C	1
14	599 62 57-01	HANDLE		1
15	537 17 28-05	HANDLE		1
16	525 75 51-06	SCREW ITXSCFM	M5x45 T27	1
17	595 11 24-01	NUT	M5 ISO10511 8 FZB	1
18	537 17 29-02	BRACKET		1
19	599 62 65-01	CONNECTION		1
20	529 56 57-01	BRACKET		7
21	599 62 58-01	HANDLE		1
22	525 75 51-09	SCREW ITXSCFM	M5x35 T27	1
23	529 45 43-01	CONTROL PANEL		1
24	593 16 54-01	HANDLE HALF		1
25	593 16 55-01	HANDLE HALF		1
26	593 04 43-01	THROTTLE CONTROL ASSY		1
27	593 83 86-01	SPRING		1
28	593 91 30-01	COVER		1
29	580 29 29-01	SCREW ITXSCT	PW 4.2x18	3

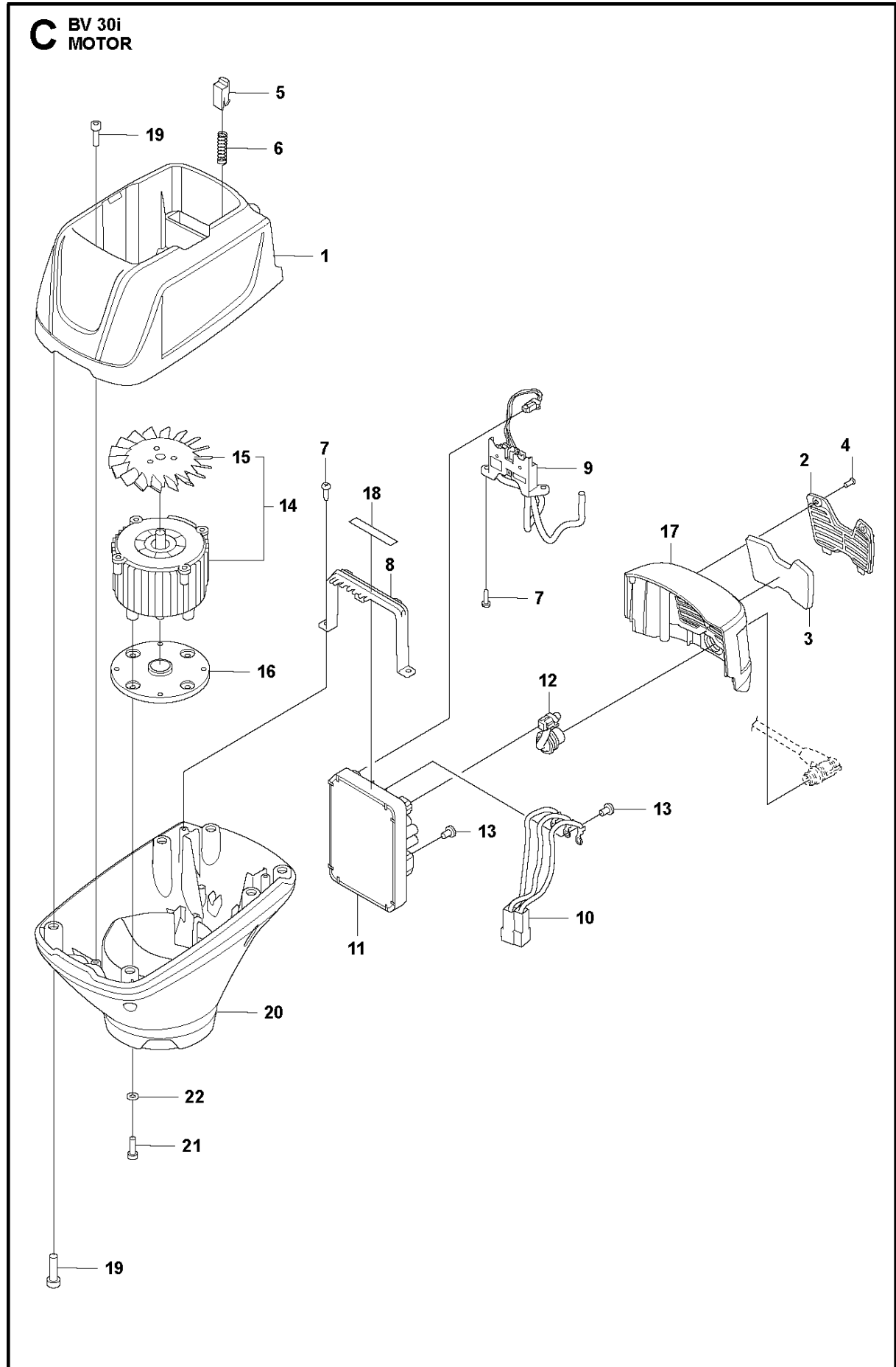
B BV 30i
ECCENTRIC ELEMENT



ECCENTRIC ELEMENT

BV 30i, 967973801, 2021-06

Ref	Part No	Description	Remark	QTY	KIT
1	594 62 67-01	BRACKET		1	
2	595 46 58-01	SCREW	M8x30 ISO4017 8.8 A2K	2	
3	595 04 39-01	WASHER	M8 NORDLOCK	2	
4	595 16 78-01	WASHER		2	
5	594 69 94-01	PLATE		2	
6	594 78 56-01	SCREW	M12x40 ISO4017 8.8 A2K	2	
7	594 69 12-01	WASHER		2	
8	594 40 92-01	NUT	M12 ISO7044 8 A2K	2	
9	595 06 58-01	SCREW	M5x12 ISO7380 8.8 FZB	4	
10	529 37 55-01	COVER		1	
11	594 39 89-01	SCREW	HC M10x16 ISO4026 45H	1	
12	599 89 22-01	EXCENTER		1	
13	594 69 90-01	HUB		1	
14	594 12 26-01	HEXAGON NUT	M10 ISO4161 8 FZB	1	
15	595 27 85-01	BRACKET		1	
16	594 22 97-01	ABSORBER		4	
17	595 03 66-01	WASHER	M8 ISO7089 200HV A2K	4	
18	595 35 23-01	NUT	M8 ISO7040 8 A2K	4	
19	599 62 54-01	MOTOR		1	
20	595 34 75-01	SOCKET	M5x16 ISO4017 8.8 A2K	8	
21	503 23 04-02	WASHER	M5 NORDLOCK	4	
22	595 11 39-01	CIRCLIP	12x1 DIN471	1	
23	594 26 14-01	BEARING	6001-ZZ	1	
24	595 04 63-01	RING	28x1.2 DIN472	1	
25	599 62 52-01	DRIVE SHAFT		1	
26	594 22 96-01	DAMPER		1	
27	595 34 80-01	SCREW	M6x20 ISO4017 8.8 A2K	2	
28	594 69 83-01	HUB		1	37
29	594 68 12-01	RING	15x30x7 A DIN3760 NBR	1	37
30	594 25 61-01	RING	15x1 DIN471	1	37
31	594 40 03-01	WASHER	WASHER PB 15x21x0,2 DIN988	2	37
32	594 55 08-01	BEARING	6202-ZZ	3	37
33	594 69 85-01	SPACER		1	37
34	594 26 60-01	RING	35x1.5 DIN472	1	37
35	594 22 21-01	SEAL	20x35x7 A DIN3760	1	37
36	594 69 84-01	SHAFT		1	37
37	594 25 35-01	SLEEVE		1	

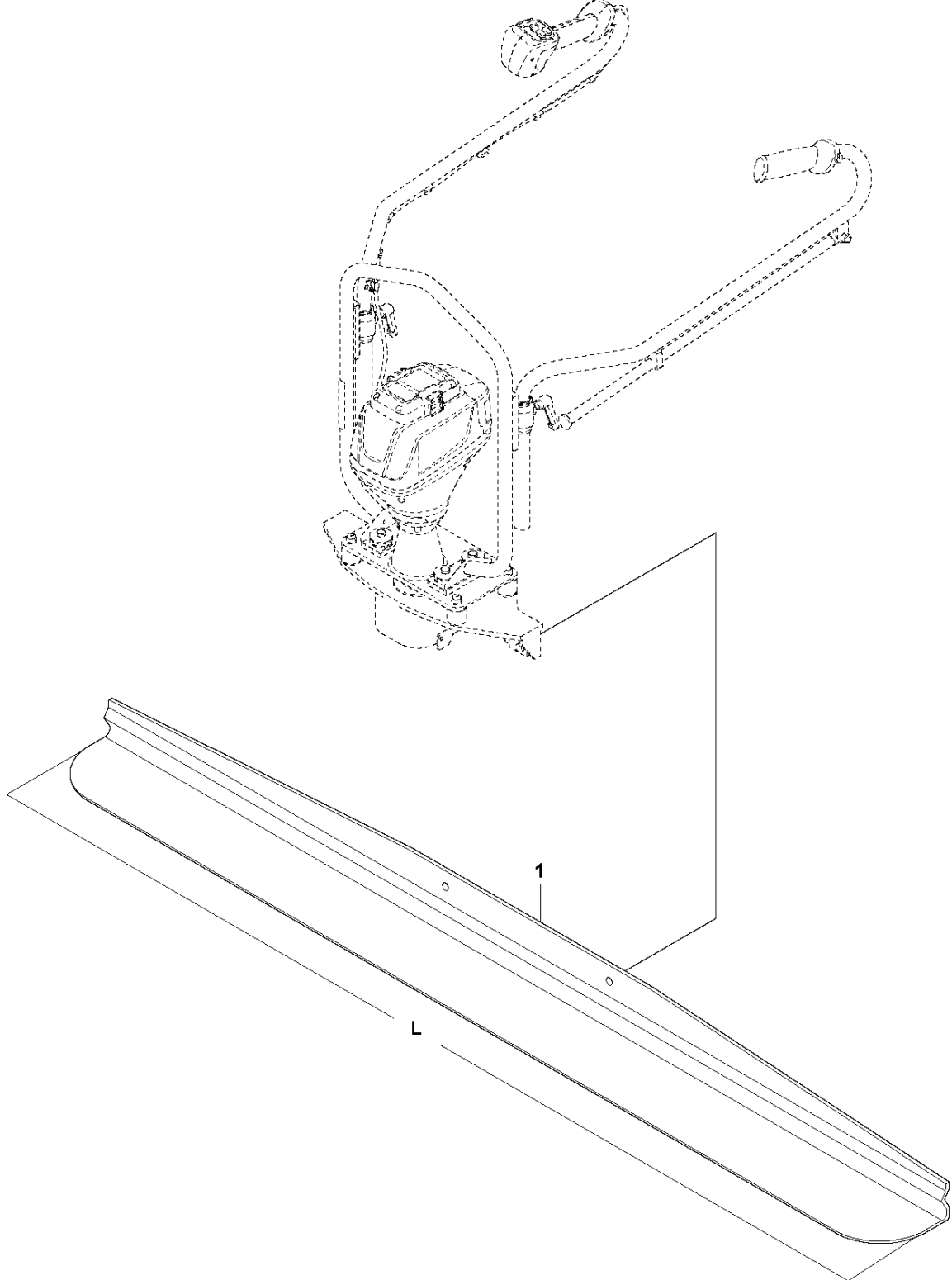


MOTOR

BV 30i, 967973801, 2021-06

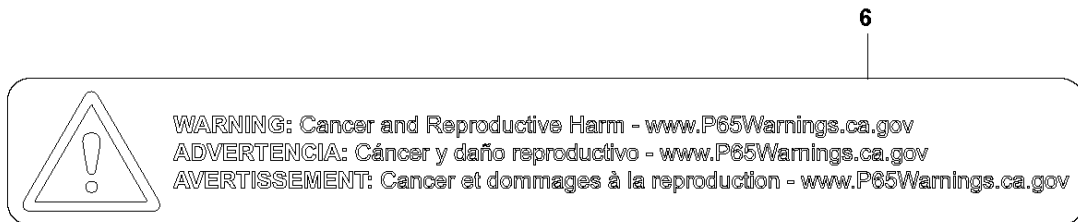
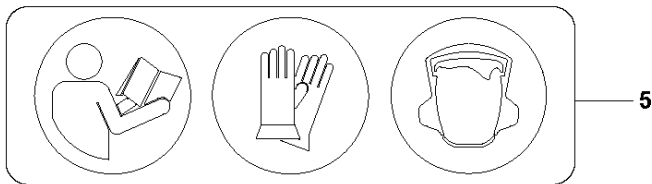
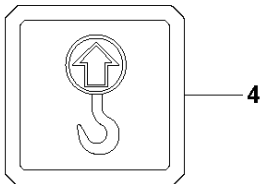
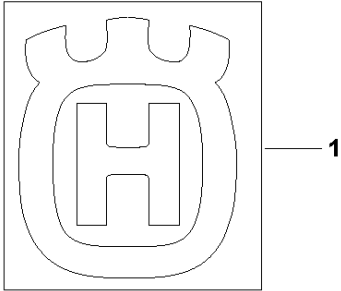
Ref	Part No	Description	Remark	QTY	KIT
1	597 27 50-01	HOLDER		1	
2	599 62 66-01	FILTER		1	
3	599 89 06-01	FILTER		1	
4	529 76 85-01	SCREW		2	
5	577 99 66-01	PUSH BUTTON		1	
6	585 48 00-01	SPRING		1	
7	503 21 28-13	SCREW CCRPANT	PW 3.5x13	4	
8	599 62 60-01	BRACKET		1	
9	599 82 34-01	CABLE ASSY		1	
10	599 62 63-01	CONNECTION		1	
11	597 62 76-02	CONTROL UNIT		1	
12	599 62 64-01	CONNECTION		1	
13	724 13 23-01	SCREW CRPANM		5	
14	529 92 52-01	MOTOR ASSY		1	
15	599 62 59-01	FAN		1	14
16	599 62 53-01	MOTOR		1	
17	597 27 51-01	COVER		1	
18	529 77 17-02	TAPE		1	
19	580 29 29-01	SCREW ITXSCT	PW 4.2x18	8	
20	597 27 49-01	MOTOR HOUSING		1	
21	595 11 08-01	SCREW	M4x16 ISO4762 8.8A2K	4	
22	595 99 28-01	WASHER		4	

D BV 30i
BLADE



Ref	Part No	Description	Remark	QTY KIT
1	967 85 87-01	SCREED BLADE SET	L = 6ft.(1.8m)	1
1	967 85 88-01	SCREED BLADE SET	L = 8ft.(2.4m)	1
1	967 85 89-01	SCREED BLADE SET	L = 10ft.(3m)	1
1	967 85 90-01	SCREED BLADE SET	L = 12ft.(3.6m)	1
1	967 85 91-01	SCREED BLADE SET	L = 14ft.(4.2m)	1

E BV 30i
DECALS



DECALS

BV 30i, 967973801, 2021-06

Ref	Part No	Description	Remark	QTY KIT
1	574 38 21-01	DECAL		1
2	599 86 63-01	DECAL		2
3	599 86 64-01	DECAL		1
4	594 66 09-01	LABEL		2
5	596 63 69-01	DECAL		1
6	595 87 17-01	LABEL		1