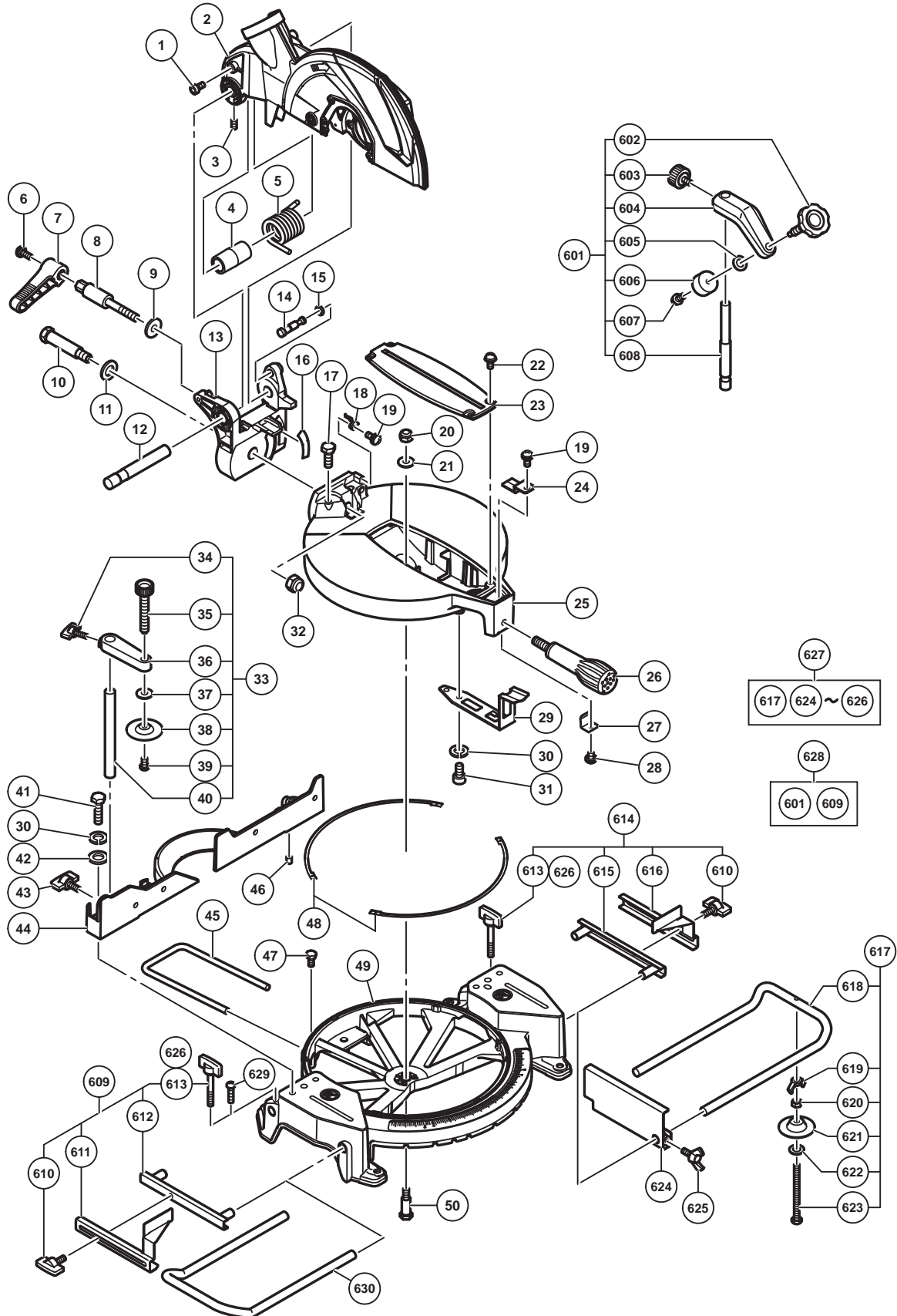
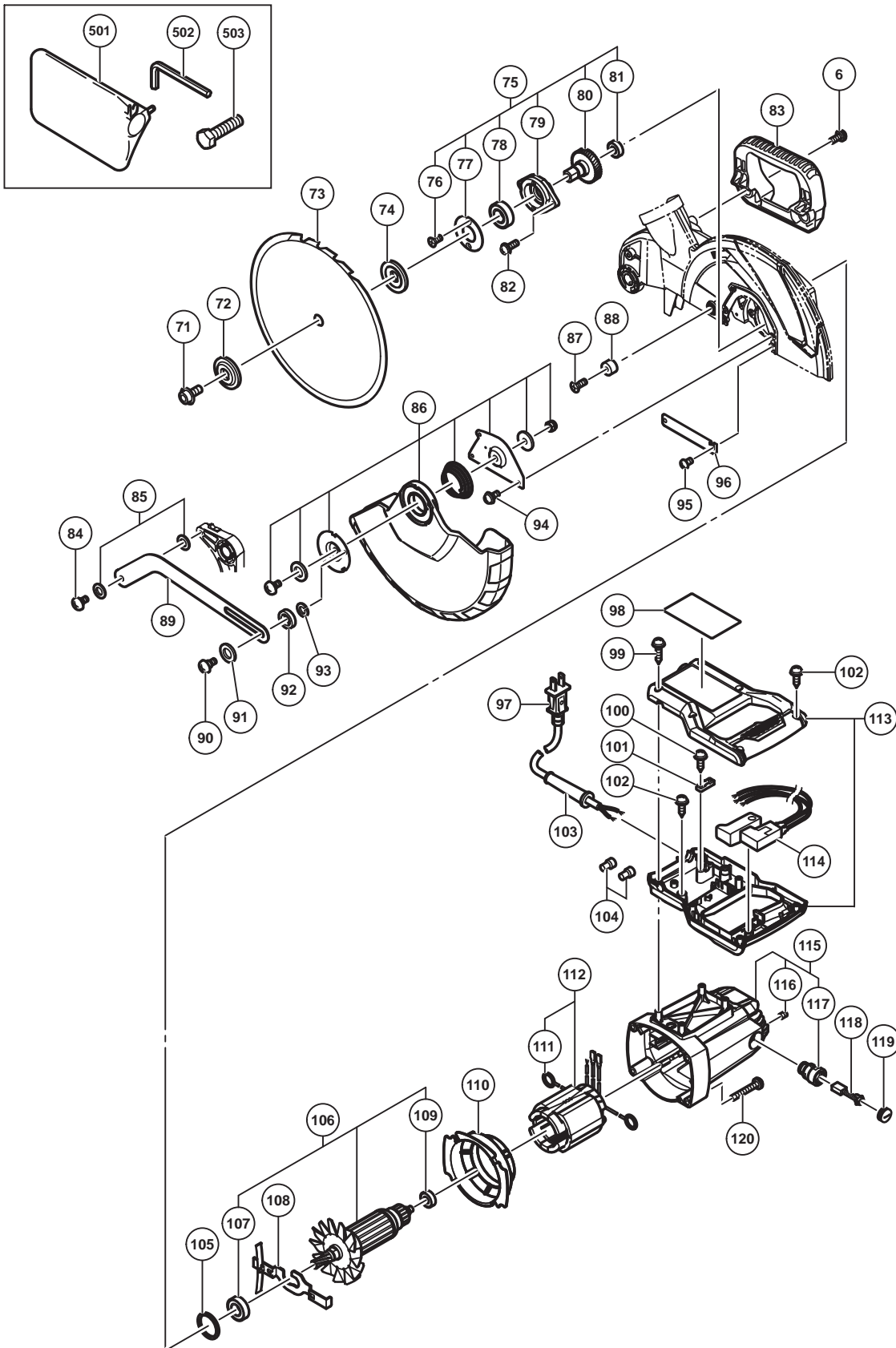


ELECTRIC TOOL PARTS LIST

COMPOUND MITER SAW Model C 10FCG

2017-2-28
(E1)





PARTS

C 10FCG

ITEM NO.	CODE NO.	DESCRIPTION	NO. USED	REMARKS
1	949819	HEX. SOCKET HD. BOLT M5 X 10 (10 PCS.)	1	
2	371727	GEAR CASE	1	
3	307956	SEAL LOCK HEX. SOCKET SET SCREW M6 X 10	1	
4	322889	SLEEVE	1	
5	322890	SPRING	1	
6	323208	MACHINE SCREW (W/WASHERS) M6 X 20 (BLACK)	3	
7	371742	CLAMP LEVER	1	
8	371743	BOLT (LEFT HAND) M10	1	
9	318934	SPECIAL WASHER	1	
10	371740	SHAFT (D)	1	
11	322934	WASHER M16	1	
12	322888	SHAFT (C)	1	
13	371732	HINGE	1	
14	302518	STOPPER PIN ASS'Y	1	INCLUD.15
15	984528	O-RING (P-6)	1	
16	371733	SCALE (B)	1	
17	303409	NYLOCK BOLT M8 X 25	2	
18	321329	INDICATOR	1	
19	304043	MACHINE SCREW (W/WASHERS) M4 X 10 (BLACK)	2	
20	371739	NYLON NUT M8	1	
21	318929	WASHER (F)	1	
22	333781	MACHINE SCREW (W/WASHER) M4 X 12 (BLACK)	4	
23	371729	TABLE INSERT	1	
24	322904	INDICATOR (A)	1	
25	371719	TURN TABLE	1	
26	322898	SIDE HANDLE	1	
27	326696	SPACER (A)	1	
28	317200	MACHINE SCREW (W/WASHERS) M4 X 8 (BLACK)	1	
29	322903	SPRING PLATE	1	
30	949457	SPRING WASHER M8 (10 PCS.)	5	
31	949655	HEX. SOCKET HD. BOLT M8 X 16 (10 PCS.)	2	
32	371741	NYLON NUT M12	1	
33	322952	WISE ASS'Y	1	INCLUD.34-40
34	301806	WING BOLT M6 X 15	1	
35	302522	KNOB BOLT M10 X 66	1	
36		SCREW HOLDER	1	
37	949432	BOLT WASHER M6 (10 PCS.)	1	
38	302532	WISE PLATE	1	
39	949216	MACHINE SCREW M4 X 10 (10 PCS.)	1	
40	322954	WISE SHAFT	1	
41	949678	BOLT M8 X 35 (10 PCS.)	3	
42	949433	BOLT WASHER M8 (10 PCS.)	3	
43	301806	WING BOLT M6 X 15	1	
44	371721	FENCE	1	
45	326705	HOLDER	1	
46	931701	BEARING LOCK	1	
47	949611	BOLT M6 X 12 (10 PCS.)	1	
48	371720	LINER (A)	2	
49	371718	BASE	1	
50	371738	SHAFT (B)	1	

PARTS

C 10FCG

ITEM NO.	CODE NO.	DESCRIPTION	NO. USED	REMARKS
71	371730	LEFT HEX. SOCKET BOLT M7	1	
72	371731	WASHER (E)	1	
73	318963	TCT SAW BLADE 255MM-D15.88 HOLE-NT24	1	
74	308789	WASHER (D)	1	
75	371725	SPINDLE ASS'Y	1	INCLUD.76-81
76	990430	SEAL LOCK FLAT HD. SCREW M4 X 10	2	
77	322919	BEARING COVER	1	
78	6003VV	BALL BEARING 6003VVCMP2L	1	
79	322918	BEARING HOLDER	1	
80	371726	SPINDLE AND GEAR SET	1	
81	608VVM	BALL BEARING 608VVC2PS2L	1	
82	987512	MACHINE SCREW (W/SP. WASHER) M5 X 16	2	
83	326708	HANDLE	1	
84	322950	SPECIAL SCREW M6	1	
85	322948	WASHER M7	2	
86	371734	LOWER GUARD	1	
87	949340	FLAT HD. SCREW M6 X 16 (10 PCS.)	1	
88	961729	CUSHION	1	
89	371735	LINK	1	
90	322947	SPECIAL SCREW (C) M5	1	
91	322938	WASHER M10	1	
92	371745	SPACER (B)	1	
93	949454	SPRING WASHER M5 (10 PCS.)	1	
94	315500	MACHINE SCREW (W/WASHER) M4 X 8 (BLACK)	3	
95	323211	MACHINE SCREW M4 X 8 (BLACK)	2	
96	371736	SPINDLE COVER	1	
97	500242Z	CORD	1	
98	371728	NAME PLATE	1	
99	307028	TAPPING SCREW (W/FLANGE) D4 X 25 (BLACK)	2	
100	984750	TAPPING SCREW (W/FLANGE) D4 X 16	2	
101	937631	CORD CLIP	1	
102	301653	TAPPING SCREW (W/FLANGE) D4 X 20 (BLACK)	6	
103	938051	CORD ARMOR D10.1	1	
104	959141	CONNECTOR 50092 (10 PCS.)	2	
105	371723	RUBBER RING	1	
106	361063	ARMATURE ASS'Y 110V-127V	1	INCLUD.107,109
107	6002DD	BALL BEARING 6002DDCMP2L	1	
108	322916	LOCK LEVER	1	
109	608VVM	BALL BEARING 608VVC2PS2L	1	
110	371724	FAN GUIDE	1	
111	930703	BRUSH TERMINAL	2	
112	340969	STATOR (A) ASS'Y 120V	1	INCLUD.111
113	371737	SWITCH HANDLE	1	
114	326699	SWITCH (3P FASTON TYPE) W/O LOCK	1	
115	371722	HOUSING ASS'Y	1	INCLUD.116,117
116	938477	HEX. SOCKET SET SCREW M5 X 8	2	
117	958900	BRUSH HOLDER	2	
118	999043	CARBON BRUSH (1 PAIR)	2	
119	945161	BRUSH CAP	2	
120	302434	MACHINE SCREW (W/WASHERS) M5 X 45 (BLACK)	4	

STANDARD ACCESSORIES

C 10FCG

ITEM NO.	CODE NO.	DESCRIPTION	NO. USED	REMARKS
501	322955	DUST BAG (BLACK)	1	
502	944459	HEX. BAR WRENCH 5MM	1	
503	949695	BOLT M10 X 35 (10 PCS.)	1	

OPTIONAL ACCESSORIES

ITEM NO.	CODE NO.	DESCRIPTION	NO. USED	REMARKS
601	322957	WISE (B) ASS'Y	1	INCLUD.602-608
602	321551	KNOB BOLT M10 X 54	1	
603	998836	KNOB BOLT M6 X 11	1	
604		SCREW HOLDER (B)	1	
605	306985	WASHER (H)	1	
606	964851	BASE RUBBER	1	
607	304043	MACHINE SCREW (W/WASHERS) M4 X 10 (BLACK)	1	
608	318967	WISE SHAFT	1	
609	322713	CROWN MOLDING STOPPER (L) ASS'Y	1	INCLUD.610-613
610	301806	WING BOLT M6 X 15	2	
611		CROWN MOLDING STOPPER (L)	1	
612	321390	CROWN MOLDING STOPPER HOLDER	1	
613	316030	WING BOLT M6 X 52	2	
614	322714	CROWN MOLDING STOPPER (R) ASS'Y	1	INCLUD.610,613,615,616
615	321390	CROWN MOLDING STOPPER HOLDER	1	
616		CROWN MOLDING STOPPER (R)	1	
617	322956	HOLDER ASS'Y	1	INCLUD.618-623
618	321549	HOLDER	1	
619	949313	WING NUT M6 (10 PCS.)	1	
620	949556	NUT M6 (10 PCS.)	1	
621	322047	WISE PLATE	1	
622	949425	WASHER M6 (10 PCS.)	1	
623	323134	HIGH TENSION BOLT M6 X 80	1	
624	974561	STOPPER	1	
625	949404	WING BOLT M6 X 20 (10 PCS.)	1	
626	323682	WING BOLT M6 X 85	2	
627	322710	GUIDE ASS'Y	1	INCLUD.617,624-626
628	322712	CROWN MOLDING WISE ASS'Y	1	INCLUD.601,609
629	949258	MACHINE SCREW M6 X 20 (10 PCS.)	1	
630	974562	HOLDER	1	