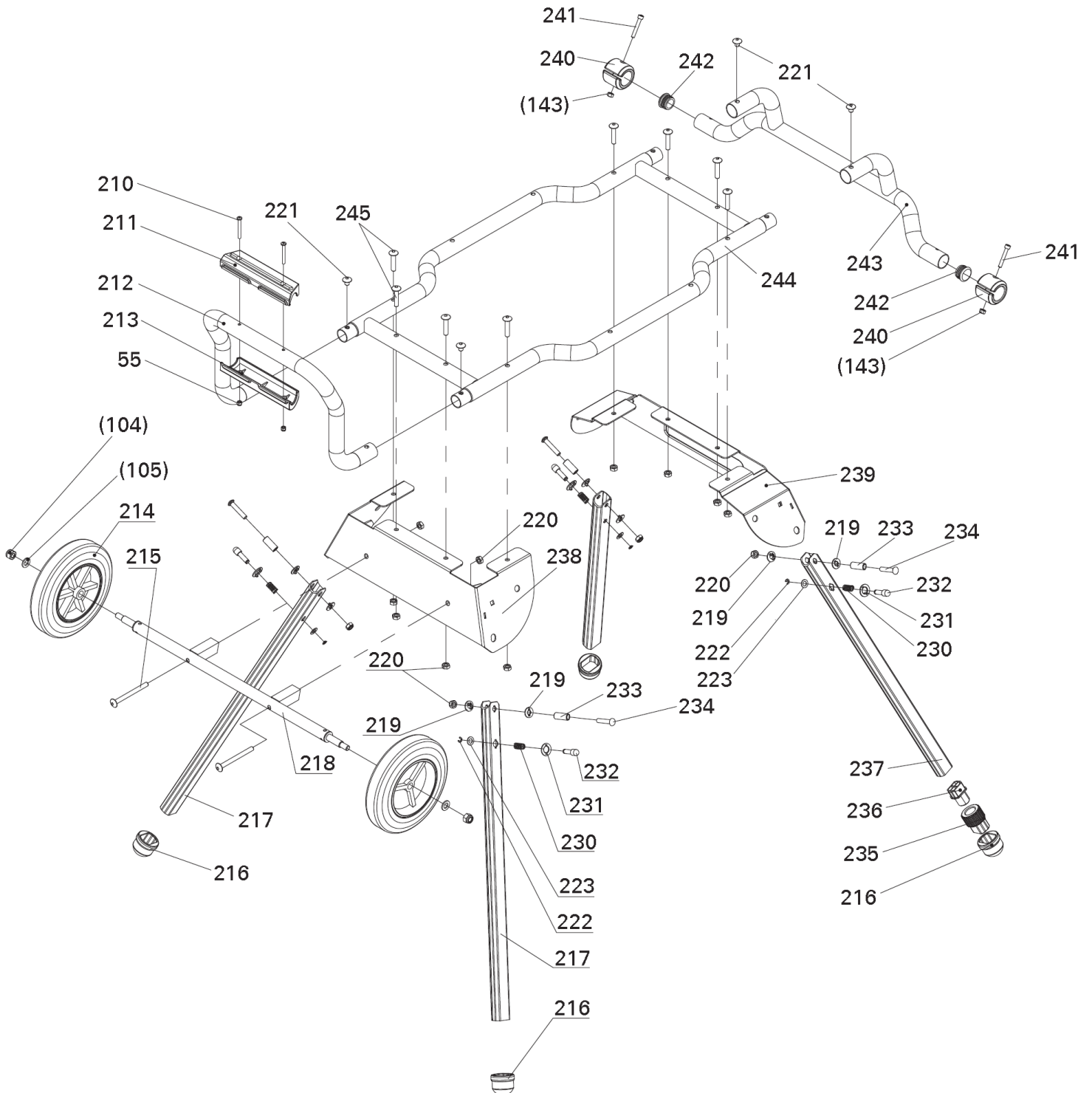
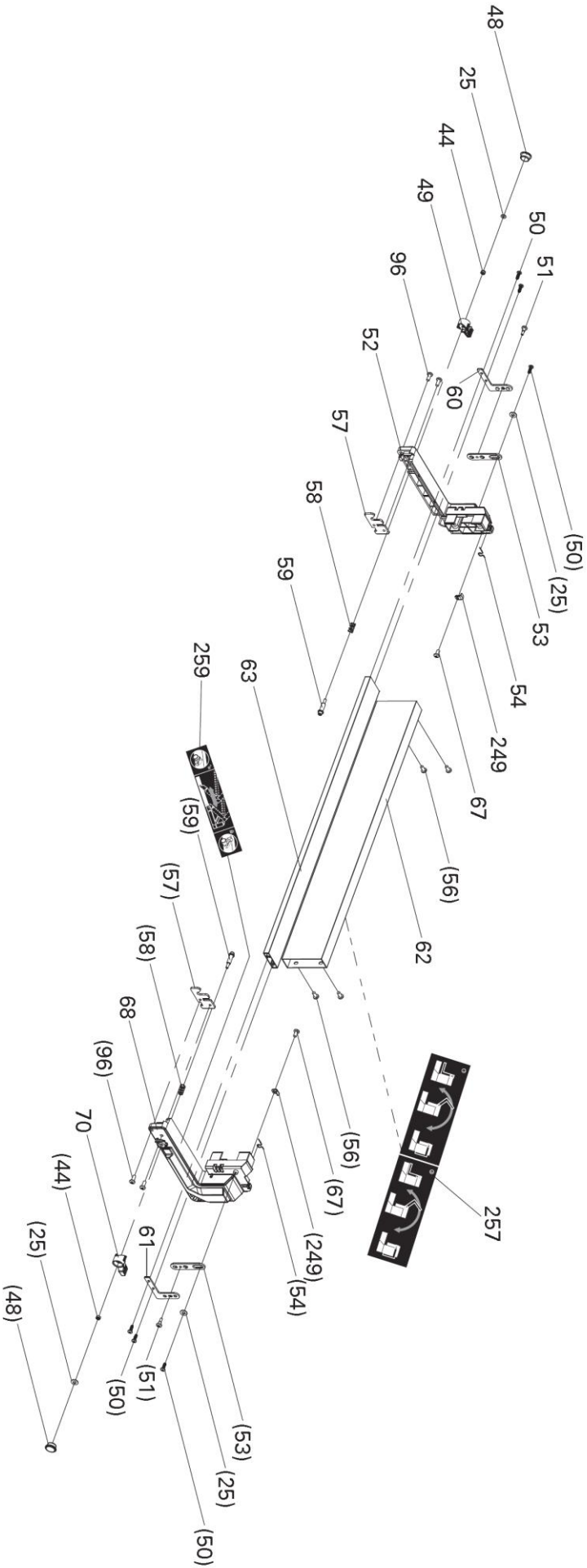


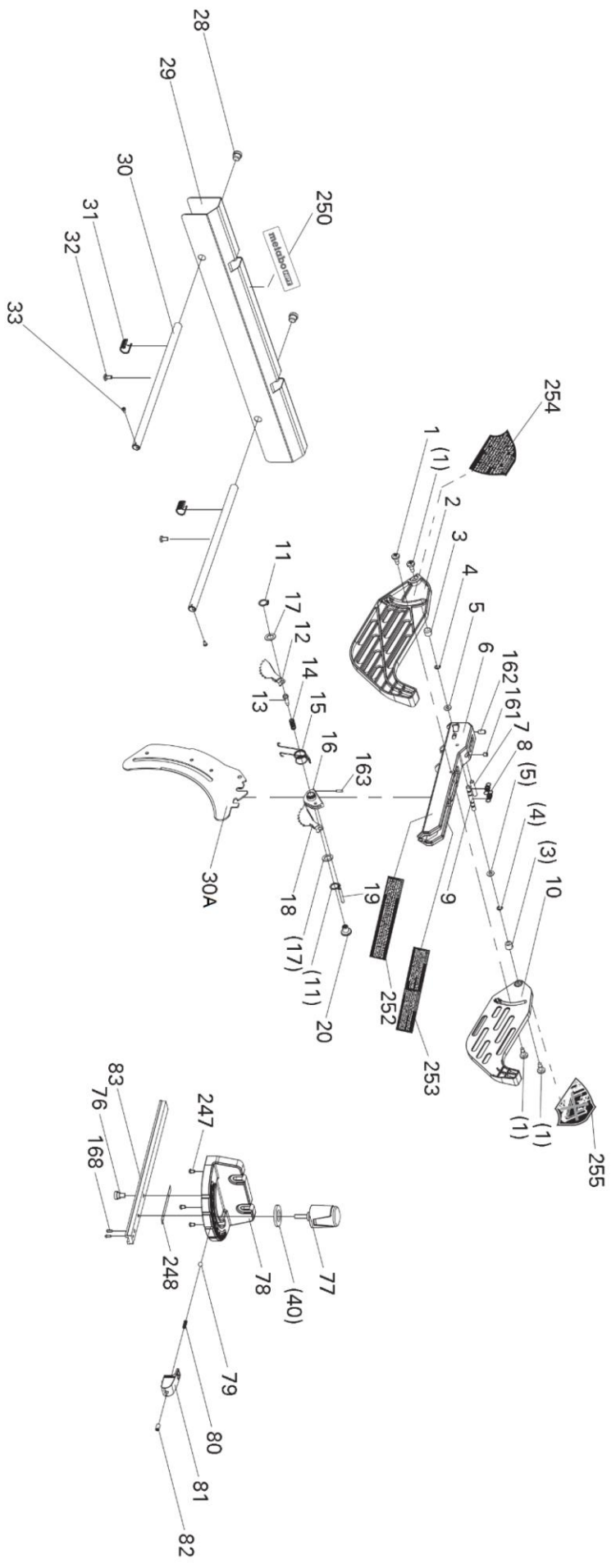
ELECTRIC TOOL PARTS LIST

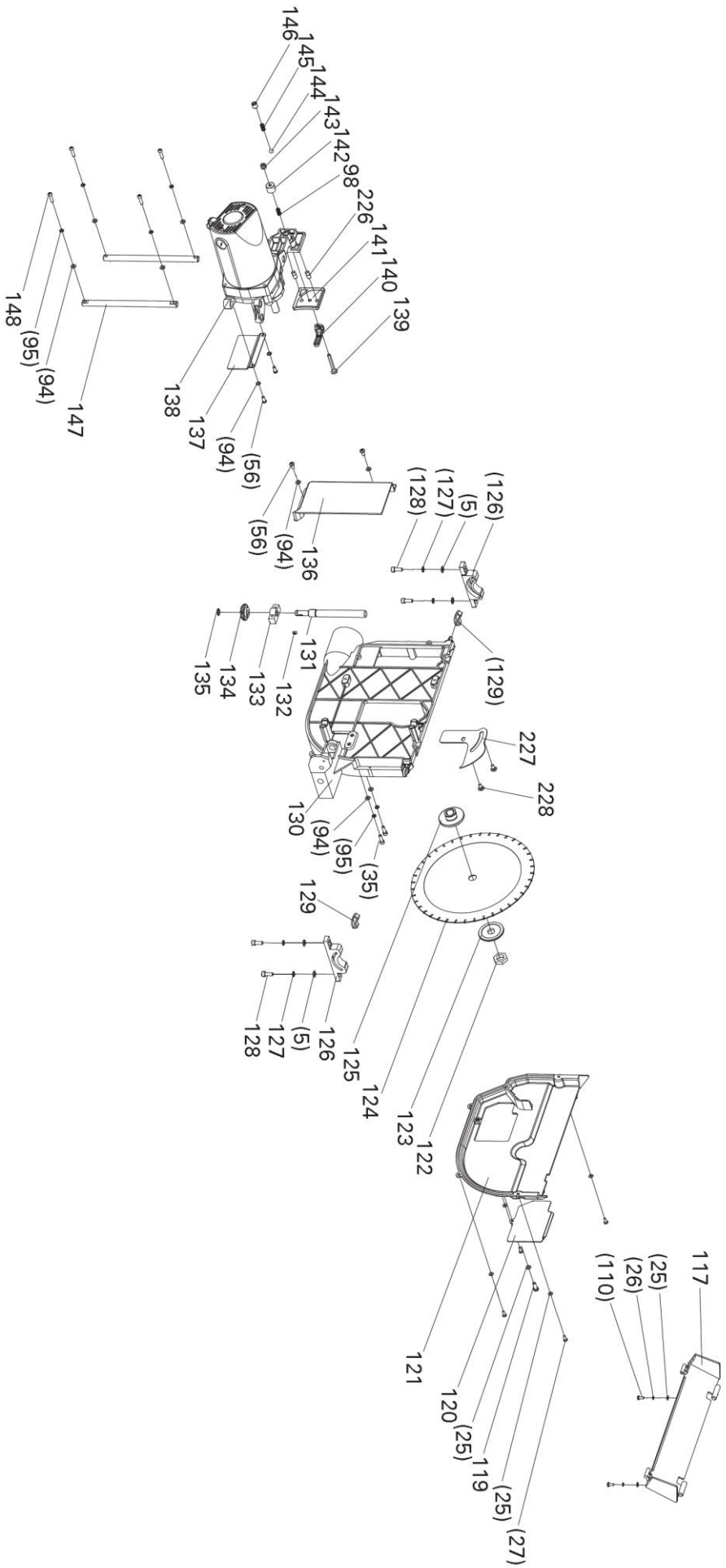
■ TABLE SAW
Model C 10RJS

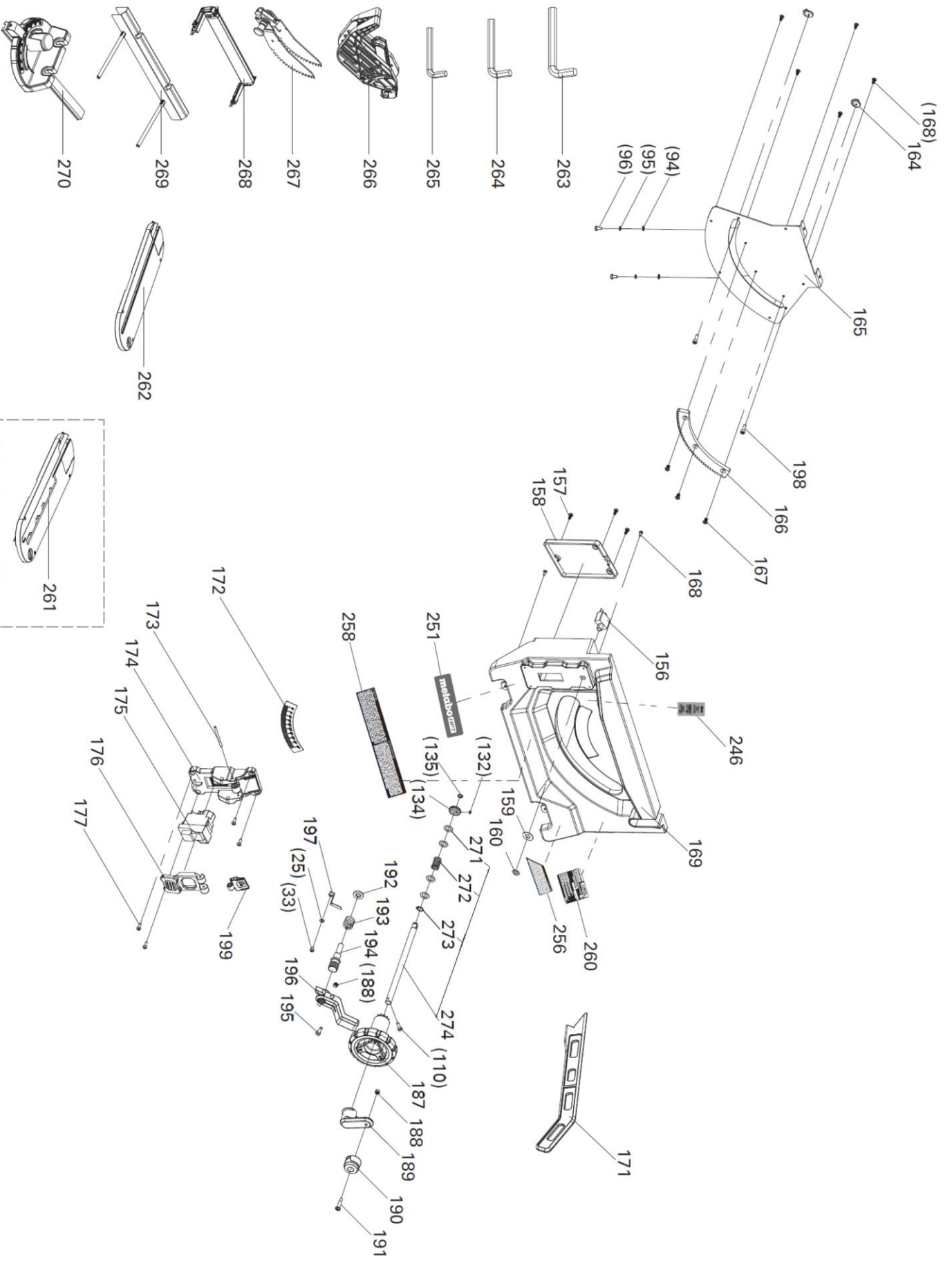
2021 • 05 • 25
(E3)











PARTS

C10RJS

ITEM NO.	CODE NO.	DESCRIPTION	NO. USED	REMARKS
1	371593	BOLT	4	
2	374651	LEFT BLADE GUARD	1	
3	371594	LATCH CAP	2	
4	371595	Split washer $\phi 4$	2	
5	371596	Flat Washer 6	6	
6	371620	BLADE GUARD SUPPORTING SEAT	1	
7	371617	STOP PIN	1	
8	371597	BLADE GUARD SUPPORTING SEAT SPRING	2	
9	371618	SLIDING DETENT	1	
10	374657	RIGHT BLADE GUARD	1	
11	371610	Washer on shaft 11	2	
12	374658	ANTI-KICKBACK PAWL(B)	1	
13	371601	Latch $\phi 9$	1	
14	371604	Anti-kickback pawl spring $\phi 0.8$	1	
15	371609	Anti-kickback pawl spring	1	
16	375837	SUPPORTING SEAT	1	
17	375838	WASHER	2	
18	374660	ANTI-KICKBACK PAWL(A)	1	
19	371606	Cylindrical pin 4X20	1	
20	371600	Knob	1	
21	375839	Fixing holder	1	
22	374662	HEXAGON SOCKET SET SCREW WITH FLAT POINT M5X10	4	
23	374663	TABLE INSERT	1	
24	374664	TABLE INSERT LOCKING PLATE	1	
25	371424	Flat Washer $\phi 4$	34	
26	371443	Spring washer 4	7	
27	371506	Cross pan head screw M4x10	5	
28	371578	HEXAGON SOCKET SCREW M14	2	
29	371577	Extension table	1	
30	371581	Extension rod	2	
30A	374661	Riving Knife	1	
31	371579	STOP COLLAR	2	
32	374667	CROSS PAN HEAD SCREW M6X12	2	
33	371423	Cross pan head screw M4x8	6	
34	374668	SLIDING RAIL(A)	2	
35	371546	Hexagon socket cap screws M5 x 16	12	
36	371551	Rail	2	
37	371548	Friction pad	2	
38	374669	WORKTABLE	1	
39	371540	Positioning screw (B)	3	
40	371541	Big flat washer $\phi 6$	13	
41	371542	Hex nut M6	10	
42	371549	Adjusting bolt	2	
43	371550	Adjusting wheel	2	
44	371552	Lock nut M4	4	
45	374670	TABLE INSERT LOCKING BLOCK (A)	1	
46	374671	TABLE INSERT LOCKING BLOCK (B)	1	
47	371545	Pointer	1	
48	371555	Cover	2	
49	371572	Lever (right)	1	
50	375828	Cross recess head screw	6	
51	375829	Limited position screw	4	
52	375822	Rip fence holder base (right)	1	
53	375830	Vice rip fence fixing plate (A)	2	
54	375831	Positioning spring	2	
55	371418	Hex nut M5	2	
56	375833	Cross pan head screw M5	8	
57	371562	Fixing plate	2	
58	371561	Locking spring	2	
59	371563	Locating pin	2	
60	375823	Vice rip fence fixing plate (B)	1	
61	375825	Vice rip fence fixing plate (C)	1	

Parts

C10RJS

ITEM NO.	CODE NO.	DESCRIPTION	NO. USED	REMARKS
62	375824	Rip fence	1	
63	375827	Vice rip fence	1	
64	371576	Positioning screw (A)	3	
65	372360	Power cords	1	
67	371499	Cross pan head screw M5x10	2	
68	375826	Rip fence holder base (left)	1	
69	374674	Moving baffle fixed plate	2	
70	371556	Lever (left)	1	
76	371629	Bolt(A)	1	
77	371622	HANDLE FOR MITER GAUGE	1	
78	371623	MITER GAUGE	1	
79	371625	Steel ball	1	
80	371626	COMPRESSING SPRING (B)	1	
81	371624	POINTER	1	
82	371627	Hexagon socket set screw with flat point M6x12	1	
83	371628	Bar for miter gauge	1	
85	371538	LOCATION-LIMITED PLATE (A)	1	
86	371539	Locking block	2	
87	371536	LOCKING LEVER	1	
88	371535	LONGER NUT M8 (B)	1	
89	371434	Hex nut M8	1	
90	371543	Cylindrical pin 3x16	1	
91	371533	Front locking rod	1	
92	371526	Compression spring	3	
93	371530	LOCATION-LIMITED PLATE (B)	1	
94	371474	FLAT WASHER ϕ 5	30	
95	371473	SPRING WASHER ϕ 5	24	
96	371472	CROSS PAN HEAD SCREW M5X12	20	
97	371527	Rear locking rod (B)	1	
98	371638	SPRING	1	
99	371528	Cylindrical pin 3x12	2	
100	371529	Slider (A)	2	
101	371531	Rear locking rod (A)	1	
102	371525	Clamp	3	
103	371513	Knob cover	1	
104	371514	Hex nut M10	4	
105	371515	Flat Washer ϕ 10	3	
106	374695	Rotation knob	1	
107	374696	ADJUSTING GEAR	2	
108	371518	Adjusting support seat (C)	2	
109	371519	Adjusting spring	2	
110	371459	CROSS PAN HEAD SCREW M5X16	7	
111	371520	Adjusting support seat (B)	2	
112	371521	Adjusting support seat (A)	2	
113	374697	BIG FLAT WASHER ϕ 10	2	
114	371595	Split washer ϕ 8	2	
115	371524	Cylindrical pin 4x16	2	
116	374698	ADJUSTING ROD	1	
117	374699	MOVING BAFFLE	1	
118	371537	Sheath for locking lever	1	
119	371642	Cross pan head screw M5x10	1	
120	371641	Small baffle	1	
121	374701	TRUNNION PROTECTION GUARD	1	
122	371503	Arbor nut	1	
123	371502	Blade outer flange	1	
124	375804	BLADE	1	
125	371496	Blade inner flange	1	
126	374703	TRUNNION FIXED SEAT	2	
127	371429	Spring washer ϕ 6	4	
128	374704	HEXAGON SOCKET HEAD CAP SCREWS M6X20	4	
129	374705	TRUNNION SLIDER	2	
130	375814	TRUNNION	1	
131	371501	UP AND DOWN ADJUSTING ROD (B)	1	

Parts

C10RJS

ITEM NO.	CODE NO.	DESCRIPTION	NO. USED	REMARKS
132	371487	Key	2	
133	371492	ADJUSTING SEAT	1	
134	371486	BEVEL GEAR	2	
135	371610	Washer on shaft 10	2	
136	374710	COVER PLATE	1	
137	371640	BLADE PROTECTION PLATE	1	
138	375805	MOTOR COMPONENT	1	
139	371598	SPECIAL BOLT	1	
140	371599	Eccentric hand	1	
141	371603	Cam pressing plate	1	
142	371637	CLAMPING BUSH	1	
143	371411	Hex nut M6	3	
144	371613	Steel ball $\phi 8$	1	
145	371614	SPRING $\phi 0.7$	1	
146	371615	Hexagon socket set screw with flat point M10x8	1	
147	371493	GUIDE PILLAR	2	
148	371494	Cross pan head screw M5 x 20	4	
149	371432	Hexagon bolt M8x30	1	
150	371441	Hex nut M4	2	
151	371439	Antiflex bushing	1	
152	371438	Wire clip	1	
153	371436	Cross pan head screw M4x12	2	
154	371440	Cord warp	2	
155	371433	Cross pan head screw M5x40	2	
156	375817	Overload protection	1	
157	371466	Cross recessed pan head tapping screw ST3.9x9.5	3	
158	375818	Switch cover	1	
159	371448	Label for overload protection	1	
160	371447	Nut for overload protection	1	
161	375843	Hexagon socket set screw with flap point M5x10	1	
162	375844	Hexagon socket set screw with flap point M5x20	1	
163	371607	Hexagon socket set screw with flap point M5x6	1	
164	374729	Eccentric limit block	2	
165	375820	BACK PLATE	1	
166	371477	ANGLE ADJUSTING BASE	1	
167	371476	Cross recessed countersunk head screw M4x12	3	
168	371475	Cross recessed pan head tapping screw ST4.2x9.5	23	
169	371464	Front panel	1	
170	371426	Footing (B)	2	
171	371532	Push sticker	1	
172	371463	Bevel label	1	
173	371461	Rotation pin	1	
174	371452	Switch panel	1	
175	375819	Switch	1	
176	371634	Switch flap	1	
177	371451	Cross recessed pan head tapping screw ST4.2x16	4	
178	371427	Footing (A)	2	
179	374735	MITER GAUGE STORAGE	1	
180	371425	FRAME ASSEMBLY	1	
181	371442	Blade guard storage (B)	1	
182	371446	Blade guard storage (A)	1	
183	371445	Push sticker storage (B)	1	
184	371444	Push sticker storage (A)	1	
185	371428	Hexagon socket head cap screws M6x14	4	
186	374737	UP AND DOWN ADJUSTING ROD (A)	1	
187	371460	Rotation wheel	1	
188	371455	Hex nut M5	2	
189	371458	ROTATION LEVER	1	
190	371457	KNOB	1	
191	371456	Bolt	1	
192	371484	WASHER 3	1	
193	371483	COMPRESSION SPRING	1	

Parts

C10RJS

ITEM NO.	CODE NO.	DESCRIPTION	NO. USED	REMARKS
194	371482	Compression screw rod	1	
195	371453	Hexagon socket head cap screws M5x12	2	
196	371454	Locking handle	1	
197	371462	Pointer	1	
198	374743	HEXAGON SOCKET HEAD CAP SCREWS M5X10	1	
199	371635	Switch lock	1	
200	374744	Base plate (A)	2	
201	374745	Base plate (B)	1	
205	371437	Locking knob	1	
206	371633	Blade wrench	2	
207	371435	Holder for blade	1	
208	371434	Hex nut M8	1	
210	371422	Cross pan head screw M5x45	2	
211	371421	Support pad (A)	1	
212	371420	Support tube assembly	1	
213	371419	Support pad (B)	1	
214	371403	Wheel	2	
215	371402	Hexagon socket cap screws M8x100	2	
216	371390	Stand foot	4	
217	371391	Stand leg (A)	3	
218	371401	Wheel shaft assembly	1	
219	371397	Friction pad 8	8	
220	371400	Lock nut M8	14	
221	371416	Hexagon socket cap screws M8x20	4	
222	371392	Split washer 6	4	
223	371393	Flat washer 8	4	
224	371554	Scale label	1	
225	371585	Knob	2	
226	371602	Cylindrical pin $\phi 6$	2	
227	375806	Safety baffle	1	
228	375807	Baffle screw	2	
229	375803	Baffle	1	
230	371394	Spring	4	
231	371395	Friction pad 13	4	
232	371396	Stop pin	4	
233	371639	Leg stop collar	4	
234	371398	Bolt	4	
235	371406	Adjustable foot (B)	1	
236	371407	Adjustable foot (A)	1	
237	371408	Adjustable leg	1	
238	371399	Support plate assembly (A)	1	
239	371409	Support plate assembly (B)	1	
240	371412	Footing	2	
241	371413	Hexagon socket head cap screws M6x40	2	
242	371414	End cap	2	
243	371415	Handle assembly	1	
244	371410	Horizontal support tube assembly	1	
245	371417	Hexagon socket cap screws M8x45	8	
246	375821	Overload protection label	1	
247	371643	Friction pad	3	
248	371631	Adjusting shim	1	
249	375832	Limit plate	2	
250	371653M	Metabo HPT label A	1	
251	371652M	Metabo HPT label B	1	
252	371656	Warning label A	1	
253	371657	Warning label B	1	
254	371654	Warning label C	1	
255	375842	Warning label D	1	
256	375816	Warning label E	1	
257	375835	Rip fence label A	1	
258	375815	Warning label F	1	
259	375834	Rip fence label B	1	
260	375847	Name plate	1	

