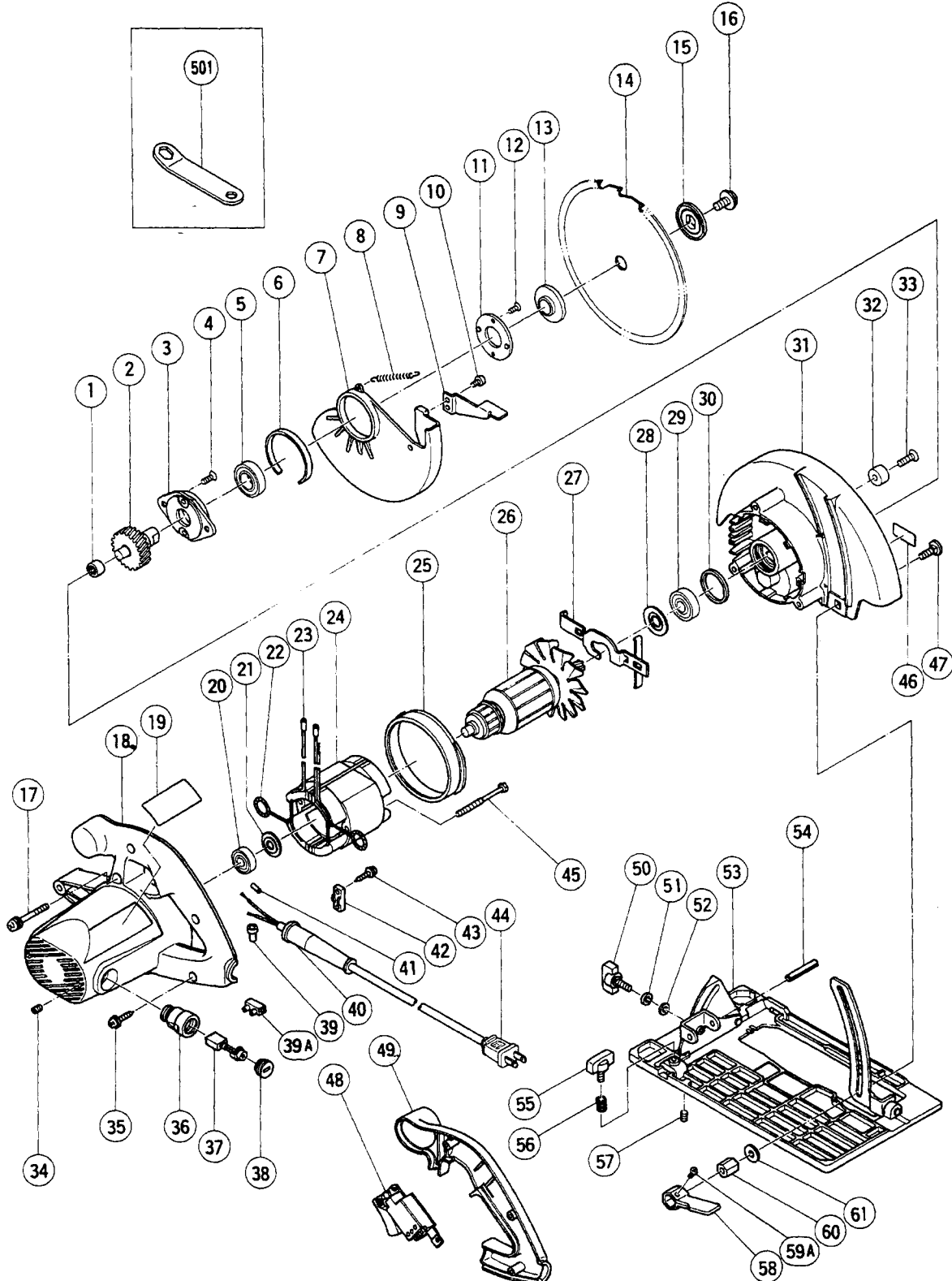


ELECTRIC TOOL PARTS LIST

■ CIRCULAR SAW
Model C 7BD

1993 · 3 · 3
(E2)



PARTS

C 7BD

ITEM NO.	CODE NO.	DESCRIPTION	NO. USED	REMARKS
1	982-027	NEEDLE BEARING (HK1010)	1	
2	302-436	SPINDLE GEAR	1	
3	302-433	BEARING HOLDER	1	
4	992-013	SEAL LOCK FLAT HD. SCREW M5X14	2	
5	600-3VV	BALL BEARING 6003VVCMP2S	1	
6	961-807	BUSHING	1	
7	302-425	SAFETY COVER	1	
8	302-442	RETURN SPRING	1	
9	302-426	LEVER	1	
10	949-215	MACHINE SCREW M4X8 (10 PCS.)	1	
11	302-435	BEARING COVER	1	
12	990-430	SEAL LOCK FLAT HD. SCREW M4X10	2	
13	302-443	WASHER (A)	1	
14	302-410	TCT SAW BLADE 185MM - D18 HOLE - NT18	1	
15	302-423	WASHER (B)	1	
16	302-427	FLANGE BOLT M8X15.5	1	
17	302-434	MACHINE SCREW (W/WASHERS) M5X45 (BLACK)	3	
18	302-421	HOUSING ASS'Y	1	INCLUD.34,36
19		NAME PLATE	1	
20	600-0VV	BALL BEARING 6000VVCMP2S	1	
21	302-428	WASHER (A)	1	
22	937-623	BRUSH TERMINAL	2	
23	981-373	TUBE (D)	2	
24	340-200C	STATOR ASS'Y 115V	1	INCLUD.22,23
25	302-430	FAN GUIDE	1	
26	360-187U	ARMATURE ASS'Y 110V - 115V	1	INCLUD.20,21,28,29
27	302-431	LOCK LEVER	1	
28	302-429	DUST WASHER (B)	1	
29	620-1VV	BALL BEARING 6201VVCMP2S	1	
30	302-432	RUBBER RING	1	
31	302-424	GEAR COVER	1	
32	961-729	CUSHION	1	
33	949-794	FLAT HD. SCREW M6X20 (10 PCS.)	1	
34	938-477	HEX. SOCKET SET SCREW M5X8	2	
35	301-653	TAPPING SCREW (W/FLANGE) D4X20	3	
36	983-362	BRUSH HOLDER	2	
37	999-038	CARBON BRUSH (1 PAIR)	2	
38	961-781	BRUSH CAP	2	
39	959-140	CONNECTOR 50091 (10 PCS.)	1	
* 39A	938-307Z	PILLAR TERMINAL	1	FOR USA
40	940-778	CORD ARMOR D10.7	1	
41	981-373	TUBE (D)	1	
42	960-266	CORD CLIP	1	
43	984-750	TAPPING SCREW (W/FLANGE) D4X16	2	
44	500-241Z	CORD	1	
45	960-251	HEX. HD. TAPPING SCREW D5X65	2	
46		LABEL (FOR BRAKE)	1	
47	942-808	BOLT (SQUARE) M6X20	1	
48	302-447	SWITCH (1P PILLAR TYPE) W/O LOCK	1	
49	302-422	HANDLE COVER	1	
50	302-438	WING BOLT (A) M6X20	1	

*: ALTERNATIVE PARTS

