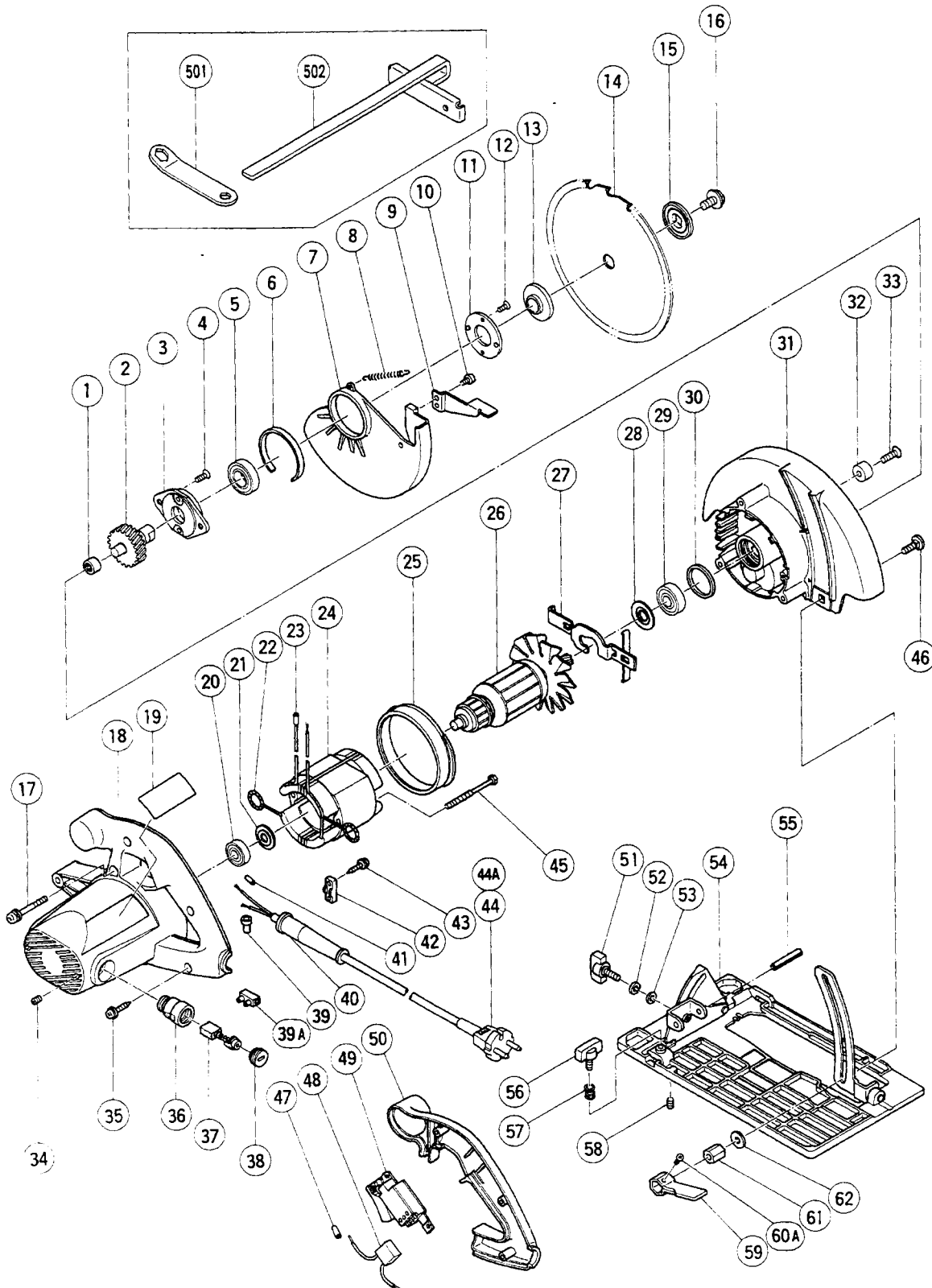


ELECTRIC TOOL PARTS LIST

■ CIRCULAR SAW
Model C 7SB

1997 • 5 • 30
(E3)



PARTS

C 7SB

ITEM NO.	CODE NO.	DESCRIPTION	NO. USED	REMARKS
1	982-027	NEEDLE BEARING (HK1010)	1	
2	302-436	SPINDLE GEAR	1	
3	302-433	BEARING HOLDER	1	
4	992-013	SEAL LOCK FLAT HD. SCREW M5X14	2	
5	600-3VV	BALL BEARING 6003VVCMP2S	1	
6	961-807	BUSHING	1	
7	302-425	SAFETY COVER	1	
8	302-442	RETURN SPRING	1	
9	302-426	LEVER	1	
10	949-215	MACHINE SCREW M4X8 (10 PCS.)	1	
11	302-435	BEARING COVER	1	
12	990-430	SEAL LOCK FLAT HD. SCREW M4X10	2	
*	13	302-444	WASHER (A)	1
*	13	302-443	WASHER (A)	1 FOR USA,CAN
*	14	302-411	TCT SAW BLADE 185MM - D20 HOLE - NT18	1
*	14	302-410	TCT SAW BLADE 185MM - D16 HOLE - NT18	1
15	302-423	WASHER (B)	1	
16	302-427	BOLT (W/FLANGE) M8X15.5	1	
17	302-434	MACHINE SCREW (W/WASHERS) M5X45 (BLACK)	3	
18	302-421	HOUSING ASS'Y	1	INCLUD.34,36
19		NAME PLATE	1	
20	600-0VV	BALL BEARING 6000VVCMP2S	1	
21	302-428	WASHER (A)	1	
22	937-623	BRUSH TERMINAL	2	
23	981-373	TUBE (D)	1	
*	24	340-199C	STATOR ASS'Y 110V - 115V	1 INCLUD.22,23
*	24	340-199D	STATOR ASS'Y 120V - 127V	1 INCLUD.22,23
*	24	340-199E	STATOR ASS'Y 220V - 230V	1 INCLUD.22,23
*	24	340-199F	STATOR ASS'Y 240V	1 INCLUD.22,23
*	24	340-199G	STATOR ASS'Y 220V - 230V	1 INCLUD.22 FOR NZL,KOR
25	302-430	FAN GUIDE	1	
*	26	360-187U	ARMATURE ASS'Y 110V - 115V	1 INCLUD.20,21,28,29
*	26	360-187D	ARMATURE 120V - 127V	1
*	26	360-187E	ARMATURE 220V - 230V	1
*	26	360-187F	ARMATURE 240V	1
27	302-431	LOCK LEVER	1	
28	302-429	DUST WASHER (B)	1	
29	620-1VV	BALL BEARING 6201VVCMP2S	1	
30	302-432	RUBBER RING	1	
31	302-424	GEAR COVER	1	
32	961-729	CUSHION	1	
33	949-794	FLAT HD. SCREW M6X20 (10 PCS.)	1	
34	938-477	HEX. SOCKET SET SCREW M5X8	2	
35	301-653	TAPPING SCREW (W/FLANGE) D4X20 (BLACK)	3	
36	983-362	BRUSH HOLDER	2	
37	999-038	CARBON BRUSH (1 PAIR)	2	
38	961-781	BRUSH CAP	2	
*	39	959-140	CONNECTOR 50091 (10 PCS.)	1
*	39A	938-307	PILLAR TERMINAL	1 FOR USA,AUS
*	40	940-778	CORD ARMOR D10.7	1
*	40	958-049	CORD ARMOR D8.2	1

*: ALTERNATIVE PARTS

