



# Assembly Instructions

## CBS-1340 Stand

For Jet Lathe Models BDB-1340A and GHB-1340A



*CBS-1340 Stand shown with BDB-1340A Belt Drive Lathe*

### WMH TOOL GROUP

2420 Vantage Drive  
Elgin, Illinois 60123  
Ph.: 800-274-6848  
[www.wmhtoolgroup.com](http://www.wmhtoolgroup.com)

**Part No. M-321443AK**  
Revision A 12/03  
Copyright © WMH Tool Group

## Contents of the Shipping Container

### Middle Panel Carton

1 Panel

### Right Panel Carton

1 Right Panel  
1 Hardware Kit  
1 Manual

### Left Panel Carton

1 Left Panel

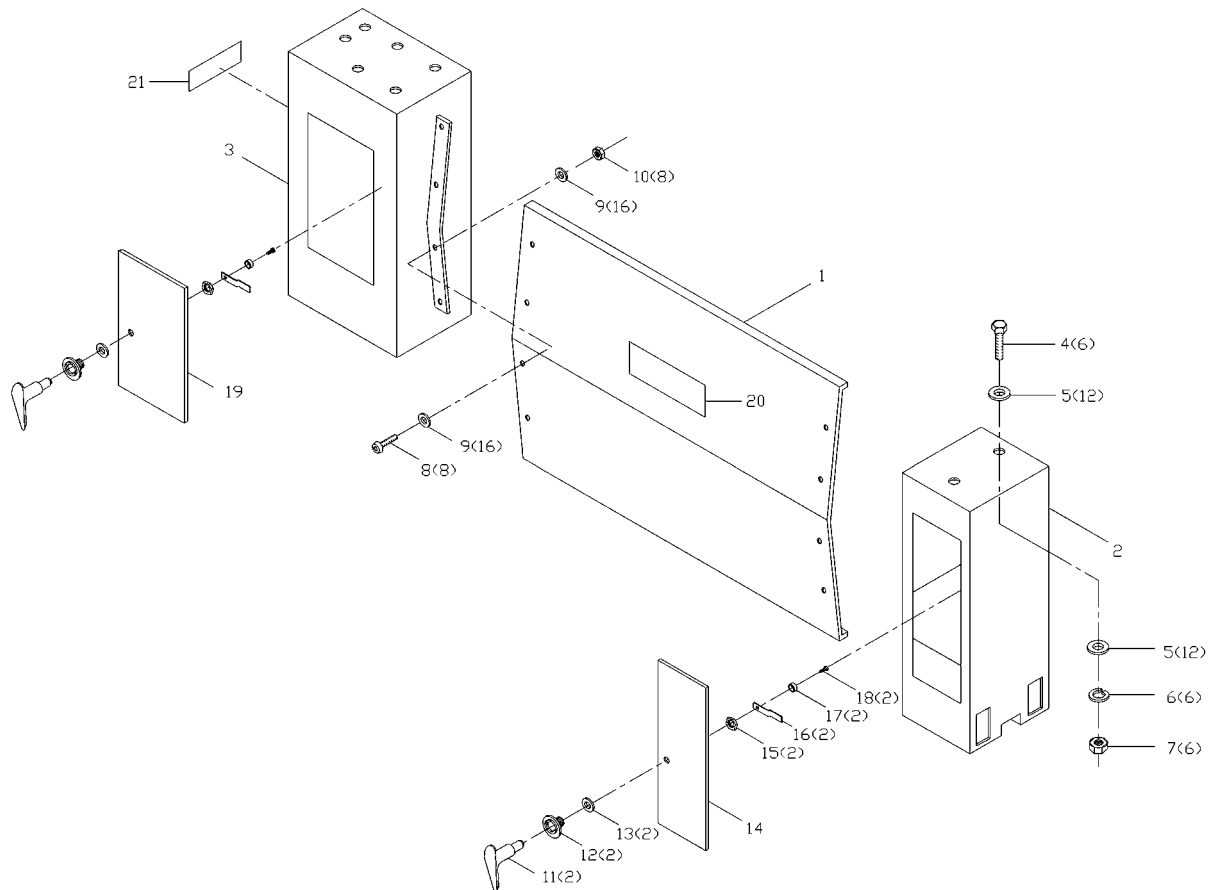
### Tools Needed for Assembly:

Cross Point Screw Driver  
10mm Open End Wrench  
19mm Open End Wrench  
26mm Open End Wrench  
4mm Hex Wrench

## Assembly Instructions

**Note:** number in “( )” parenthesis refers to the index number in the part’s breakdown and part’s list.

1. Take off the bolt (8), Spacer (17) and Nut (15) by Door Latch Assy.
2. Put the Handle (11), Bolt (12), Washer (13) through the hole of the door .
3. Assemble the Nut (15), Latch (16), Spacer (17), and Bolt (18) onto the back of the door.
4. Assemble the Panel (1) with Left Plinth (3) and Right Plinth (2) with Screws (8), Latch (16) and Nut (8).
5. Install the lathe onto the stand and tighten by Bolts (4), Washers (5), Lock Washers (6) and Nuts (7).



## Parts List

Index No.	Part No.	Description	Size	Qty.
1	CBS1340-01	Panel		1
2	CBS1340-02	Right Panel		1
3	CBS1340-03	Left Panel		1
4	CBS1340-04	Hex Cap Bolt*	1/2"-12x1-1/2	6
5	TS-0680061	Flat Washer*	1/2"	2
6	TS-0720111	Spring Washer*	1/2"	6
7	CBS1340-07	Hex Nut*	1/2"-12	6
8	TS-2246162	Socket Head Button Screw*	M6x16L	8
9	TS-1550041	Flat Washer*	M6	6
10	TS-1540041	Hex Nut*	M6	8
11	CBS1340-11	Handle*		2
12	CBS1340-12	Stud*		2
13	CBS1340-13	Rubber Washer*		2
14	CBS1340-14	Right Cover		1
15	CBS1340-15	Square Nut*		2
16	S920N-6	Latch*		2
17	CBS1340-17	Spacer*		2
18	TS-1482011	Hex Cap Bolt*	M6-1x10	2
19	CBS1340-19	Left Cover		1
20	CBS1340-20	JET Label		1
21	CBS1340-21	ID Label		1
	CBS1340-HW	Hardware Kit		1

\* included in CBS1340-HW Hardware Kit

## Replacement Parts

To order parts or reach our service department, call 1-800-274-6848 between 7:00 a.m. and 6:00 p.m. (CST), Monday through Friday. Having the Model Number and Serial Number of your machine available when you call will allow us to serve you quickly and accurately.