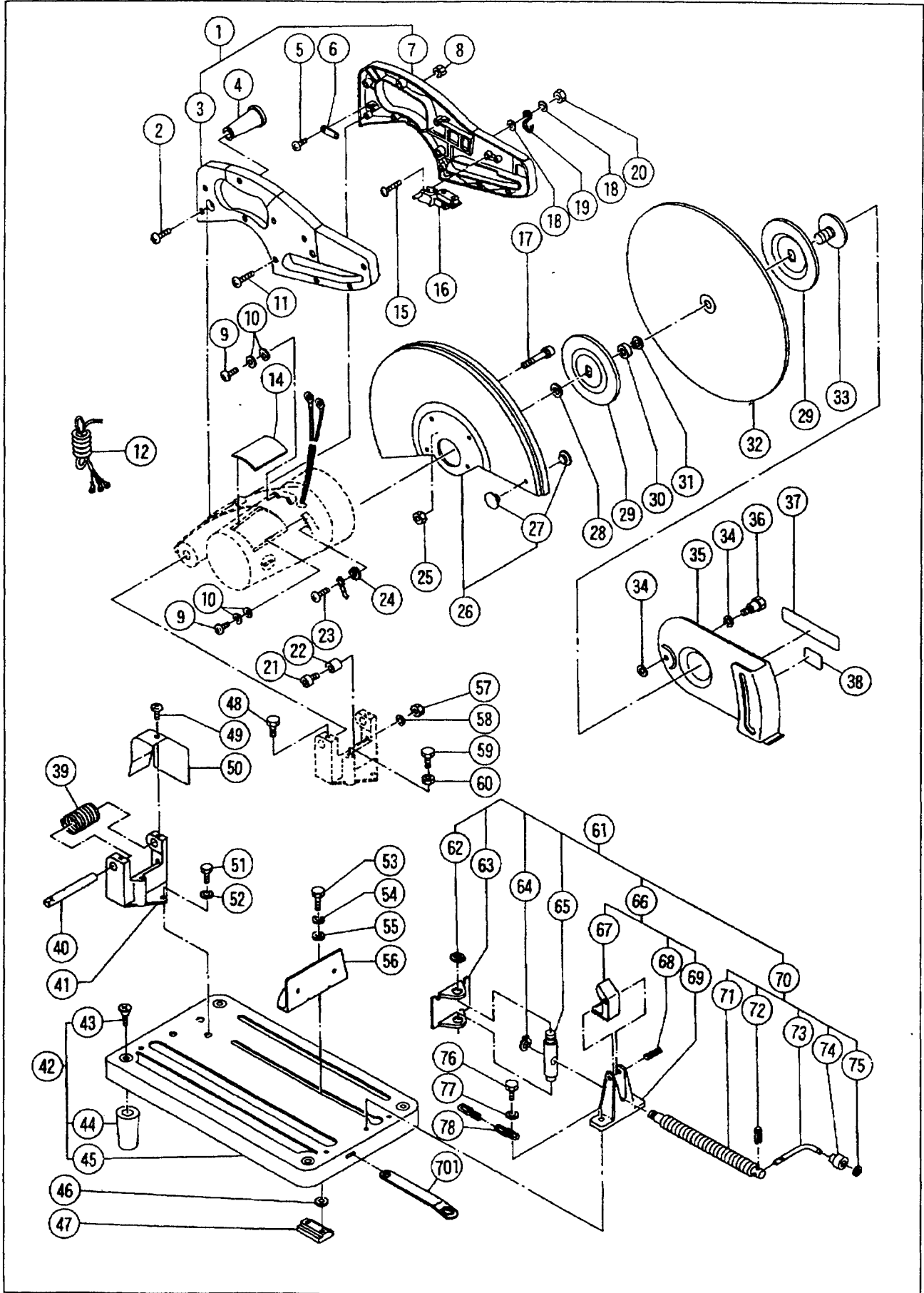
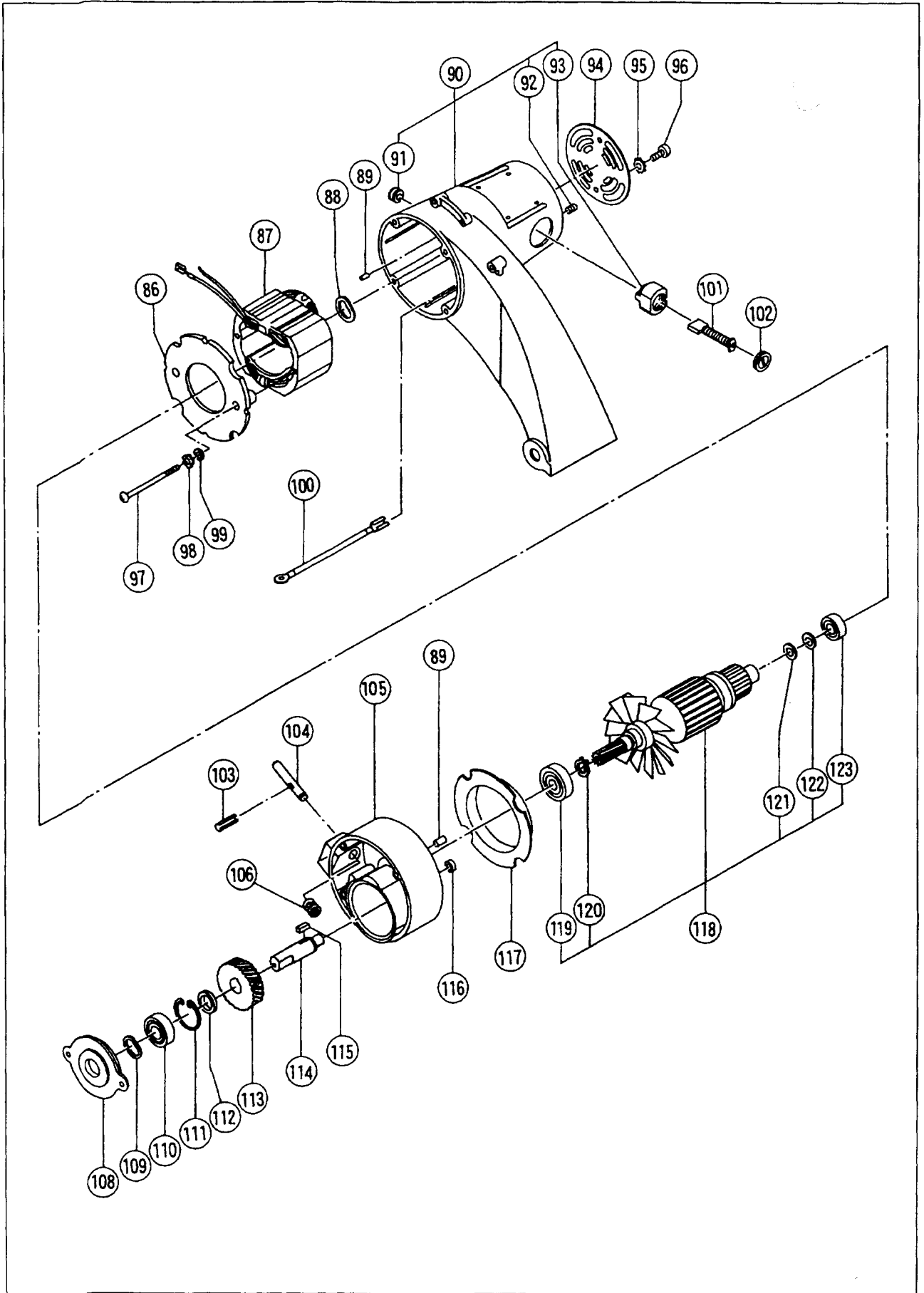


# Assembly Diagram for CC 14SC





## PARTS

CC 145C

ITEM NO.	CODE NO.	DESCRIPTION	NO. USED	REMARKS
1		HANDLE SET	1	INCLUD.3.7
2	949-243	MACHINE SCREW M5X25 (10 PCS.)	9	
3	315-690	HANDLE (L)	1	
4	315-650	CORD ARMOR	1	
5	681-044	TAPPING SCREW D5X10	2	
6	315-649	CORD CLAMP	1	
7	315-648	HANDLE (R)	1	
8	949-555	NUT M5 (10 PCS.)	11	
9	949-243	MACHINE SCREW M5X25 (10 PCS.)	2	
10	949-431	BOLT WASHER M5 (10 PCS.)	4	
11	949-247	MACHINE SCREW M5X35 (10 PCS.)	1	
12	315-683	CORD	1	
13				
14		NAME PLATE	1	
15	314-554	TAPPING SCREW D4X12	2	
16	315-682	TRIGGER SWITCH	1	
17	978-967	MACHINE SCREW (W/SP. WASHER) M6X65	4	
18	315-651	WASHER 3/16	2	
19	315-652	CHAIN HOOK	1	
20	949-555	NUT M5 (10 PCS.)	1	
21	306-724	HEX. SOCKET HD. BOLT M8X30	1	
22	315-645	SLEEVE	1	
23	681-044	TAPPING SCREW D5X10	1	
24	973-879	TOOTHED LOCK WASHER M5	1	
25	949-556	NUT M6 (10 PCS.)	2	
26	315-688	WHEEL COVER ASS'Y	1	INCLUD.27
27	315-653	RUBBER BUMPER	2	
28	315-657	COLLAR (A)	1	
29	315-684	WHEEL WASHER	2	
30	315-658	COLLAR (B)	1	
31	967-261	RETAINING RING FOR D17 SHAFT	1	
32	964-975Z	CUT - OFF WHEELS (C) 355MM (5 PCS.)	1	
33	315-659	WHEEL BOLT	1	
34	315-656	NYLON WASHER	4	
35	315-654	SAFETY COVER	1	
36	315-655	SPECIAL BOLT	2	
37	998-842	HITACHI LABEL	1	
38		CAUTION PLATE	1	
39	315-647	SPRING	1	
40	315-644	HINGE SHAFT	1	
41	315-643	HINGE	1	
42	315-685	BASE ASS'Y	1	INCLUD.43 - 45
43	315-687	FLAT SCREW M6X30	4	
44	315-686	RUBBER FOOT	2	
45		BASE	1	
46	949-434	BOLT WASHER M10 (10 PCS.)	2	
47	315-642	SLIDE PLATE	1	
48	949-613	BOLT M6X16 (10 PCS.)	1	
49	949-253	MACHINE SCREW M6X8 (10 PCS.)	2	
50	315-646	SPARK CHUTE	1	
51	949-639	BOLT M10X25 (10 PCS.)	3	

\*: ALTERNATIVE PARTS

## PARTS

CC 14SC

ITEM NO.	CODE NO.	DESCRIPTION	NO. USED	REMARKS
52	949-458	SPRING WASHER M10 (10 PCS.)	3	
53	949-638	BOLT M10X20 (10 PCS.)	2	
54	949-458	SPRING WASHER M10 (10 PCS.)	2	
55	949-434	BOLT WASHER M10 (10 PCS.)	2	
56	315-641	WISE (B)	1	
57	949-558	NUT M8 (10 PCS.)	1	
58	949-457	SPRING WASHER M8 (10 PCS.)	1	
59	949-630	BOLT M8X40 (10 PCS.)	1	
60	949-558	NUT M8 (10 PCS.)	1	
61	315-639	QUICK WISE ASS'Y	1	INCLUD.62 - 66,70
62	967-261	RETAINING RING FOR D17 SHAFT	1	
63	315-698	WISE(A)	1	
64	315-700	RETAINING RING (C - TYPE)	1	
65	315-699	WISE PIN	1	
66	315-689	SCREW HOLDER ASS'Y	1	INCLUD.67 - 69
67	315-706	CLUTCH	1	
68	949-515	ROLL PIN D6X30 (10 PCS.)	1	
69	315-705	SCREW HOLDER	1	
70	315-701	SCREW ASS'Y	1	INCLUD.71 - 75
71		SCREW	1	
72	949-496	ROLL PIN D3X16 (10 PCS.)	1	
73	315-702	SCREW HANDLE	1	
74	315-703	COLLAR	1	
75	315-704	LOCKING RING	1	
76	949-626	BOLT M8X25 (10 PCS.)	2	
77	949-457	SPRING WASHER M8 (10 PCS.)	2	
78	315-640	CHAIN	1	
86	315-671	FAN GUIDE (B)	1	
87	340-414C	STATOR 115V	1	
88	315-678	WAVE WASHER	1	
89	315-677	BEARING LOCK	2	
90	315-674	HOUSING ASS'Y	1	INCLUD.91 - 93
91	315-676	GROMMET	1	
92	967-377	HEX. SOCKET SET SCREW M5X8	2	
93	315-675	BRUSH HOLDER	2	
94	315-681	REAR COVER	1	
95	973-879	TOOTHED LOCK WASHER M5	2	
96	949-235	MACHINE SCREW M5X8 (10 PCS.)	2	
97	315-672	MACHINE SCREW M5X70	2	
98	973-879	TOOTHED LOCK WASHER M5	2	
99	949-431	BOLT WASHER M5 (10 PCS.)	2	
100	315-673	LEAD WIRE	1	
101	315-679	CARBON BRUSH(1PAIR)	2	
102	315-680	BRUSH CAP	2	
103	949-501	ROLL PIN D4X30 (10 PCS.)	1	
104	315-668	STOPPER PIN	1	
105	315-666	GEAR HOUSING	1	
106	315-667	STOPPER SPRING	1	
108	315-661	BEARING RETAINER	1	
109	934-061	WAVE WASHER	1	
110	620-3VV	BALL BEARING 6203VVCMP2S	1	

\*: ALTERNATIVE PARTS

**PARTS**

CC 14SC

ITEM NO.	CODE NO.	DESCRIPTION	NO. USED	REMARKS
111	948-391	RETAINING RING FOR D40 HOLE	1	
112	315-662	COLLAR	1	
113	315-663	HELIX GEAR	1	
114	315-664	SPINDLE	1	
115	502-101	FEATHER KEY 5X5X12	1	
116	315-665	NEEDLE BEARING	1	
117	315-670	FAN GUIDE (A)	1	
118	360-463U	ARMATURE ASS'Y 115V	1	INCLUD.119 - 123
119	620-3VV	BALL BEARING 6203VVCMP2S	1	
120	967-261	RETAINING RING FOR D17 SHAFT	1	
121	315-748	BEARING COVER	1	
122	315-749	BEARING WASHER	1	
123	620-0VV	BALL BEARING 6200VVCMP2S	1	

**OPTIONAL ACCESSORIES**

ITEM NO.	CODE NO.	DESCRIPTION	NO. USED	REMARKS
701	315-660	WRENCH	1	