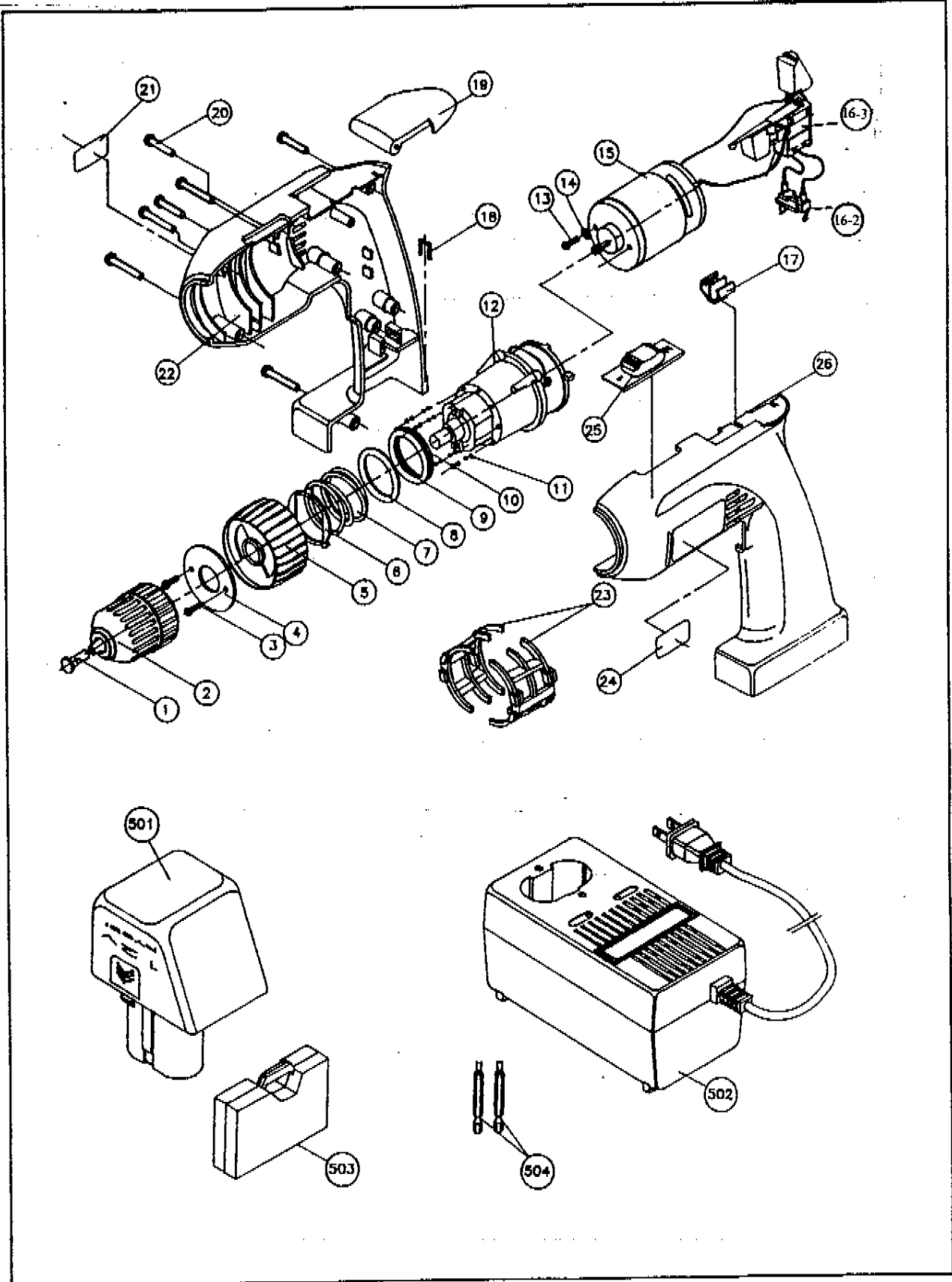


12V CRDLESS DRILL

CD125K



**PARTS LIST FOR AFTER SALES SERVICE
MODEL CD125K**

REF	PART NO.	DESCRIPTION	QTY	REF	PART NO.	DESCRIPTION	QTY
1	4130193	MACHINE SCREW L.H.T.	1				
2	1940015	KEYLESS CHUCK	1				
3	1130302	SELF-TAPPING SCREW	2				
4	4150015	METAL PLATE	1				
5	4900056	CLUTCH CAP	1				
6	1150003	CLUTCH RING HOLDER	1				
7	1180001	TORQUE SPRING	1				
8	1900001	WASHER RING	1				
9	1900002	METAL WASHER	3				
10	1900149	METAL WASHER	1				
11	1290002	STEEL BALL	12				
12	4050003	GEAR BOX	1				
13	1130303	MACHINE SCREW	2				
14	9550300	SPRING WASHER	1				
15	4030009	MOTOR	1				
16-2	1580005	TERMINAL	1				
16-3	4550021	SWITCH ASSEMBLY	1				
17	4360000	BIT HOLDER	1				
18	4290000	U-CLIP BLACK ANODIZED	1				
19	4880022	STORAGE LID	1				
20	4130194	S.T. SCREW M3,5 X 16 PH,B	7				
21	4910009	RATING LABEL	1				
22	4800018	HOUSING ASSY.	1				
23	4800017	MOTOR BRACKET	2				
24	4910010	BRAND LABEL	1				
25	4550022	SWITCH KNOB	1				
26	4800018	HOUSING ASSY.	1				
STANDARD ACCESSORIES							
501	4400005 B	BATTERY	1				
502	4400006 B	12 V CHARGER	1		1590015	Fuse For Charger	
503	4770000	CARRYING CASE	1				
504	4240008	50 MM DOUBLE BIT (PH# 2/SL 5MM)	1				
504	4240009	50 MM DOUBLE BIT (PH# 2/SL 6MM)	1				

SERVICE NOTES: