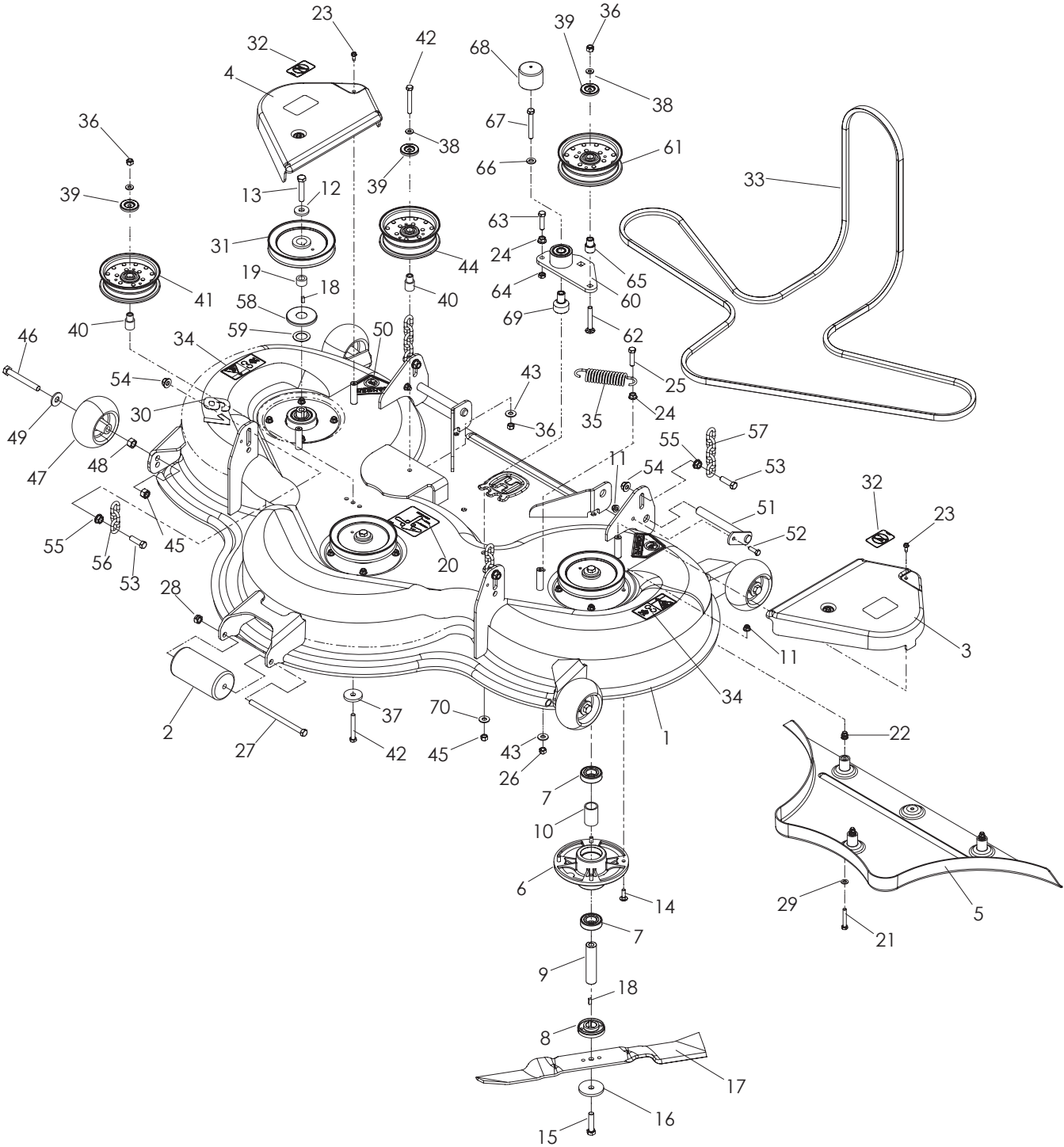


COMBI DECK CD61

CD61B / 968999762

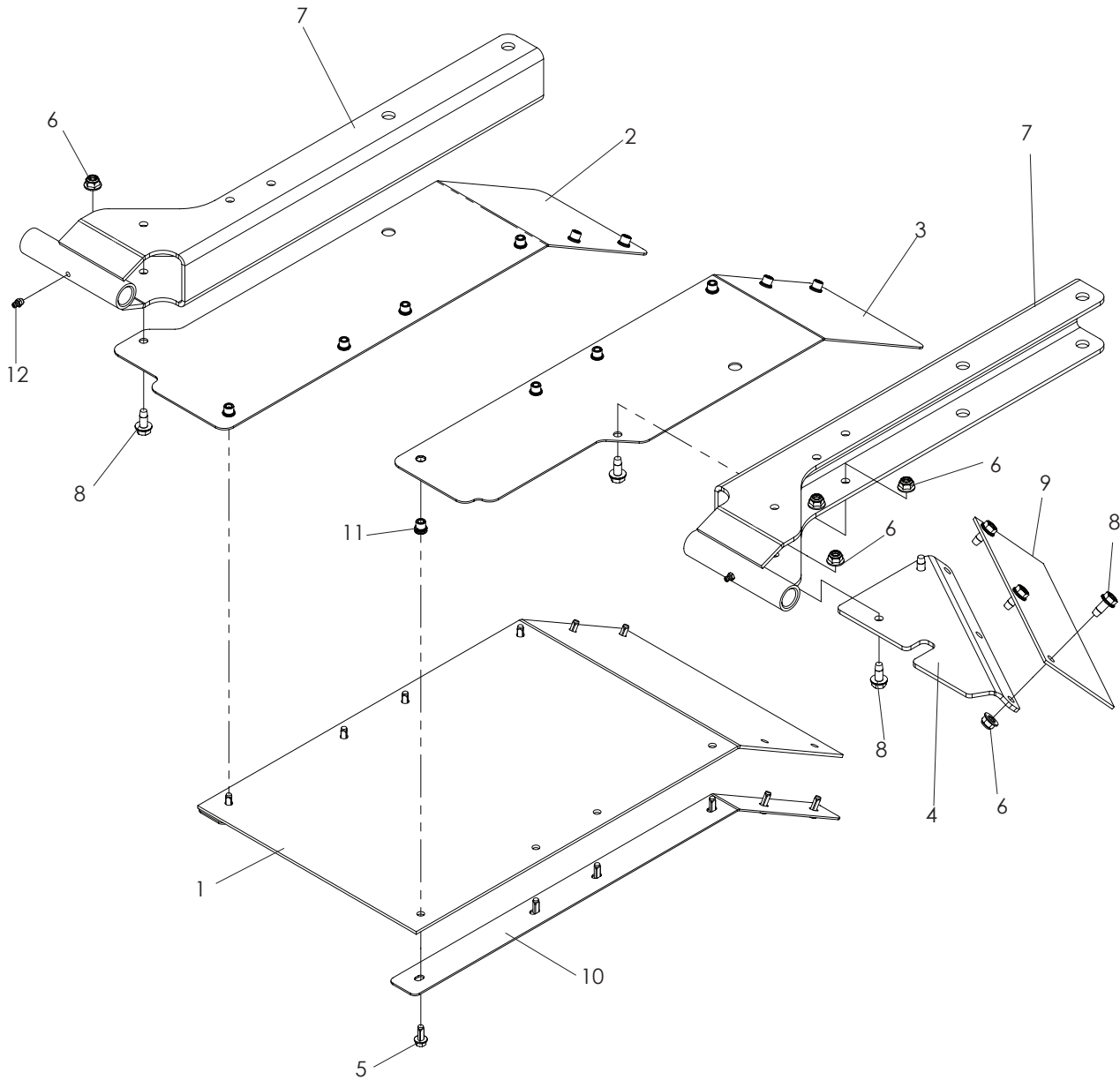


COMBI DECK CD61

| ITEM | PART NO. | QTY. | DESCRIPTION | ITEM | PART NO. | QTY. | DESCRIPTION |
|------|------------|-------|--|------|------------|-------|---|
| 1.. | 539 133057 |1 | DECK w/ DECALS | 36.. | 539 976979 |4 | NUT $\frac{3}{8}$ -16 NYLOC |
| 2.. | 544 185401 |1 | ROLLER | 37.. | 539 106504 |1 | HEAVY WASHER |
| 3.. | 539 112508 |1 | BELT SHIELD, LEFT | 38.. | 522 023401 |2 | WASHER $\frac{3}{8}$ THICK |
| 4.. | 539 112509 |1 | BELT SHIELD, RIGHT | 39.. | 510 254501 |3 | SHIELD, DUST |
| 5.. | 544 166401 |1 | MULCH PLUG, 155 | 40.. | 539 103295 |2 | IDLER BUSHING |
| 6.. | 535 428901 |3 | BEARING HOUSING | 41.. | 539 103257 |1 | IDLER PULLEY |
| 7.. | 738 220519 |6 | BEARING | 42.. | 539 102612 |2 | HCS $\frac{3}{8}$ -16 x $2\frac{3}{4}$ |
| 8.. | 539 132778 |3 | BUSHING, BLADE | 43.. | 539 990517 |3 | WASHER $\frac{3}{8}$ |
| 9.. | 535 428702 |3 | AXEL | 44.. | 539 103258 |1 | IDLER PULLEY (TALL) |
| 10.. | 535 428801 |3 | SPACER | 45.. | 539 101331 |5 | NUT $\frac{1}{2}$ NYLOC |
| 11.. | 539 112899 | ..14 | NUT $\frac{5}{16}$ -18 NYLOC | 46.. | 539 108365 |4 | HCS $\frac{1}{2}$ -13 x 4 |
| 12.. | 539 115550 |3 | WASHER $\frac{1}{2}$ | 47.. | 539 107610 |4 | WHEEL, GAUGE |
| 13.. | 539 132479 |3 | HCS M12 x 1.75 x 60, GR8.8 | 48.. | 539 990258 |4 | NUT $\frac{1}{2}$ -13 |
| 14.. | 539 990208 | ..12 | RHSNB $\frac{5}{16}$ -18 x 1 | 49.. | 539 109554 |4 | WASHER $\frac{1}{2}$ |
| 15.. | 539 132480 |3 | HCS M12 x 1.75 x 50, GR8.8 | 50.. | 539 913010 |2 | DECAL, CPSC |
| 16.. | 506 792302 |3 | WASHER | 51.. | 539 132498 |2 | PIN, STRUT |
| 17.. | 544 175801 |3 | BLADE, C155 | 52.. | 539 990209 |2 | HCS $\frac{5}{16}$ -18 x 1 |
| 18.. | 506 533501 |6 | KEY | 53.. | 539 101175 |4 | HCS $\frac{7}{16}$ -14 x $1\frac{1}{2}$ |
| 19.. | 539 112609 |3 | KEY RETAINER | 54.. | 539 132019 |4 | NUT $\frac{7}{16}$ -14 WHIZ LK |
| 20.. | 539 112620 |1 | DECAL, BELT ROUTING | 55.. | 539 102582 |4 | NUT $\frac{7}{16}$ -14 WHIZ LK |
| 21.. | 539 132494 |3 | HCS M8 x 1.25 x 50, GR8.8 | 56.. | 539 109693 |2 | LIFT CHAIN, 3 LINK |
| 22.. | 506 916203 |3 | BLIND RIVET NUT | 57.. | 539 102641 |2 | LIFT CHAIN |
| 23.. | 539 990362 |4 | SCREW $\frac{1}{4}$ -20 x $\frac{5}{8}$ SLF TAP | 58.. | 539 108449 |3 | DUST CAP, BOTTOM |
| 24.. | 539 990613 |2 | NUT $\frac{3}{8}$ -16 WHIZLK | 59.. | 539 127099 |3 | WASHER 1.06 |
| 25.. | 539 990588 |1 | HCS $\frac{3}{8}$ -16 x 2 | 60.. | 539 130391 |1 | ARM w/ BEARINGS, IDLER |
| 26.. | 539 200282 |1 | NUT $\frac{3}{8}$ -16 JAM, NYLOC | 61.. | 539 103257 |1 | IDLER PULLEY |
| 27.. | 539 132470 |1 | HCS $\frac{7}{16}$ -14 x 7 | 62.. | 539 128101 |1 | BOLT, $\frac{3}{8}$ -16 x $2\frac{1}{2}$ |
| 28.. | 539 990839 |1 | NUT $\frac{7}{16}$ -14 CTRLK, GR A | 63.. | 539 107042 |1 | HCS $\frac{3}{8}$ -16 x $1\frac{1}{2}$ GR8 |
| 29.. | 539 990188 |3 | WASHER $\frac{5}{16}$ SAE | 64.. | 539 109332 |1 | NUT $\frac{3}{8}$ -16 JAM |
| 30.. | 544 245302 |1 | LABEL | 65.. | 539 130242 |1 | BUSHING, IDLER |
| 31.. | 539 112507 |3 | PULLEY, 61 | 66.. | 539 115528 |1 | WASHER $\frac{1}{2}$ BELLEVILLE |
| 32.. | 539 105743 |2 | DECAL, NO STEP | 67.. | 539 101572 |1 | HCS $\frac{1}{2}$ -13 x 3 |
| 33.. | 539 112531 |1 | BELT, DECK | 68.. | 539 114823 |1 | CAP, VINYL |
| 34.. | 539 105744 |2 | DECAL, BELT DRIVE | 69.. | 510 206301 |1 | PIVOT, BEARING |
| 35.. | 539 103256 |1 | SPRING | 70.. | 539 102243 |1 | SUPPORT WASHER |

DEBRIS GUARD

CD61B / 968999762



DEBRIS GUARD

| ITEM | PART NO. | QTY. | DESCRIPTION | ITEM | PART NO. | QTY. | DESCRIPTION |
|------|----------------|---------|--|------|----------------|---------|--|
| 1.. | 539 132466.... | 1 | GUARD, RUBBER | 7.. | 539 132766.... | 2 | STRUT, CMB, BZ |
| 2.. | 539 132764.... | 1 | GUARD, DEBRIS, RIGHT | 8.. | 539 107475.... | 7 | BOLT, ⁵ / ₁₆ -18 x ³ / ₄ THD FRM |
| 3.. | 539 132762.... | 1 | GUARD, LEFT, BZ | 9.. | 539 132499.... | 1 | GUARD, RUBBER, SMALL |
| 4.. | 539 112642.... | 1 | DEFLECTOR | 10.. | 539 132768.... | 2 | STRAP, GUARD |
| 5.. | 539 107631.. | 12 | SCREW, ¹ / ₄ -20 x ⁵ / ₈ | 11.. | 539 108147.. | 12 | KNURLED INSERT, ¹ / ₄ -20 |
| 6.. | 539 112899.... | 7 | NUT ⁵ / ₁₆ -18 NYLOC | 12.. | 539 976998.... | 2 | ZERK |