

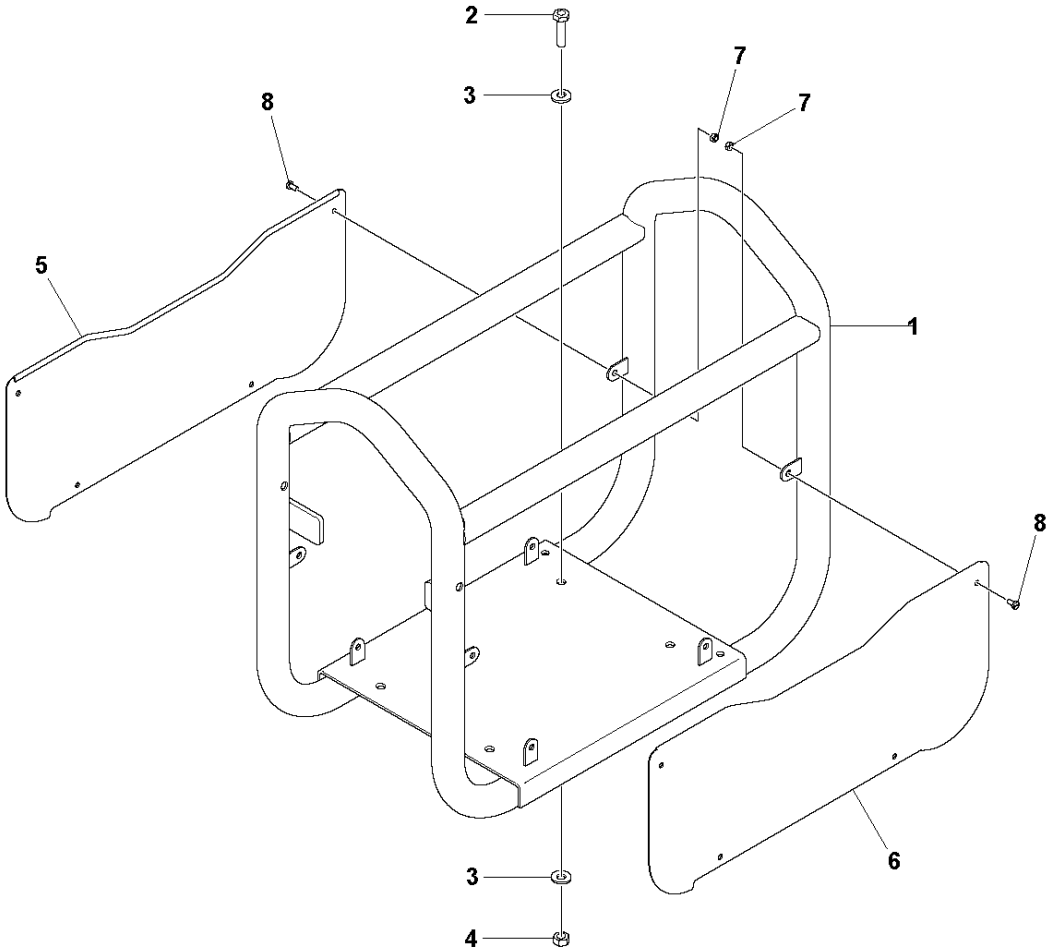


SPARE PARTS LIST

POKERS

CF 25 M, 2020-06

A CF 25 M
FRAME

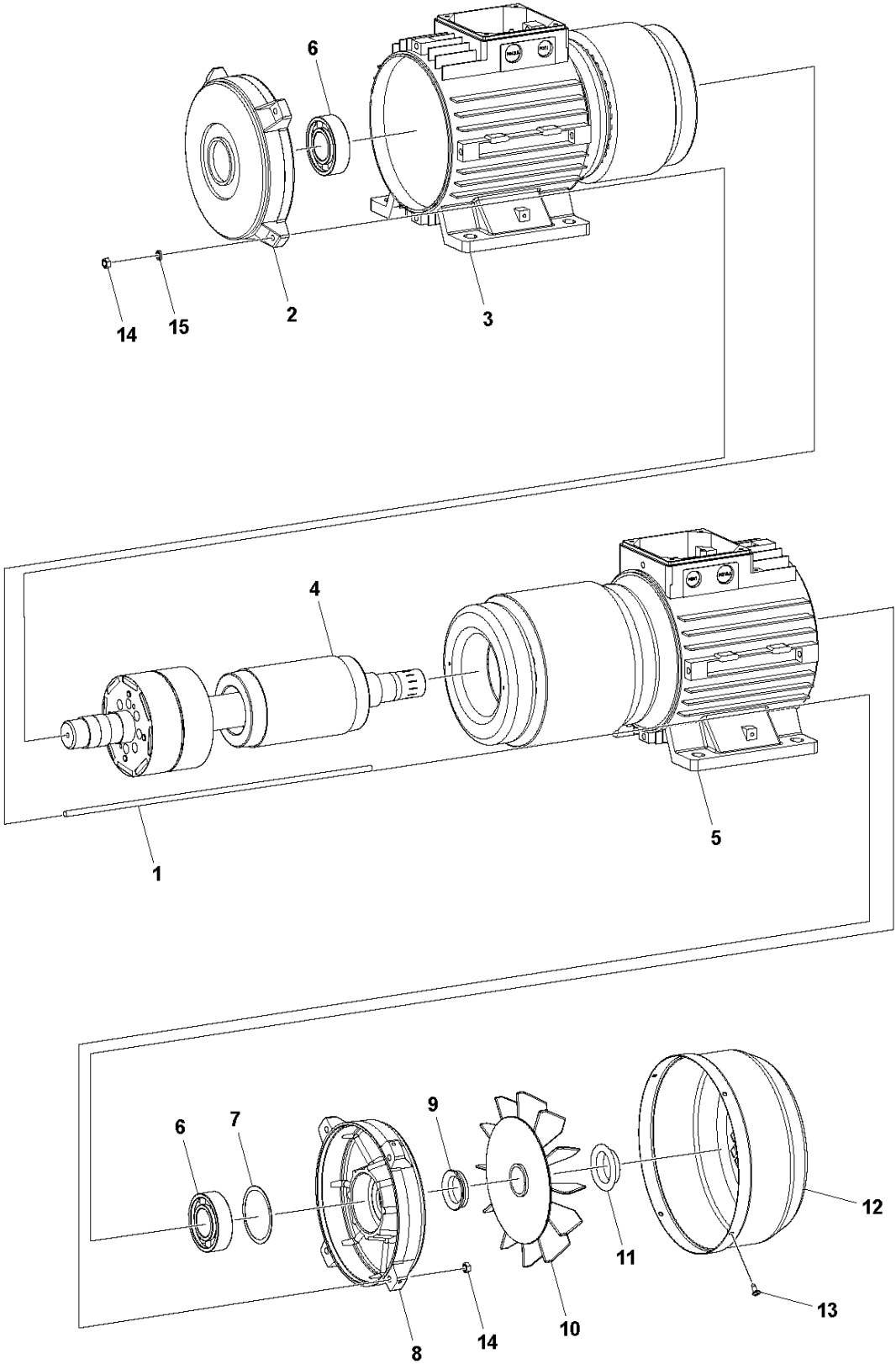


FRAME

CF 25 M, 2020-06

Ref	Part No	Description	Remark	QTY KIT
1	599 73 60-01	FRAME		1
2	595 46 60-01	SCREW	M8x25, ISO 4017, ZnB	4
3	595 06 66-01	WASHER	M8, ISO 7089	8
4	595 18 14-01	NUT	M8, ISO 4032	4
5	599 74 05-02	PLATE		1
6	599 74 05-01	PLATE		1
7	595 06 92-01	LOCK NUT		8
8	595 05 90-01	SCREW		8

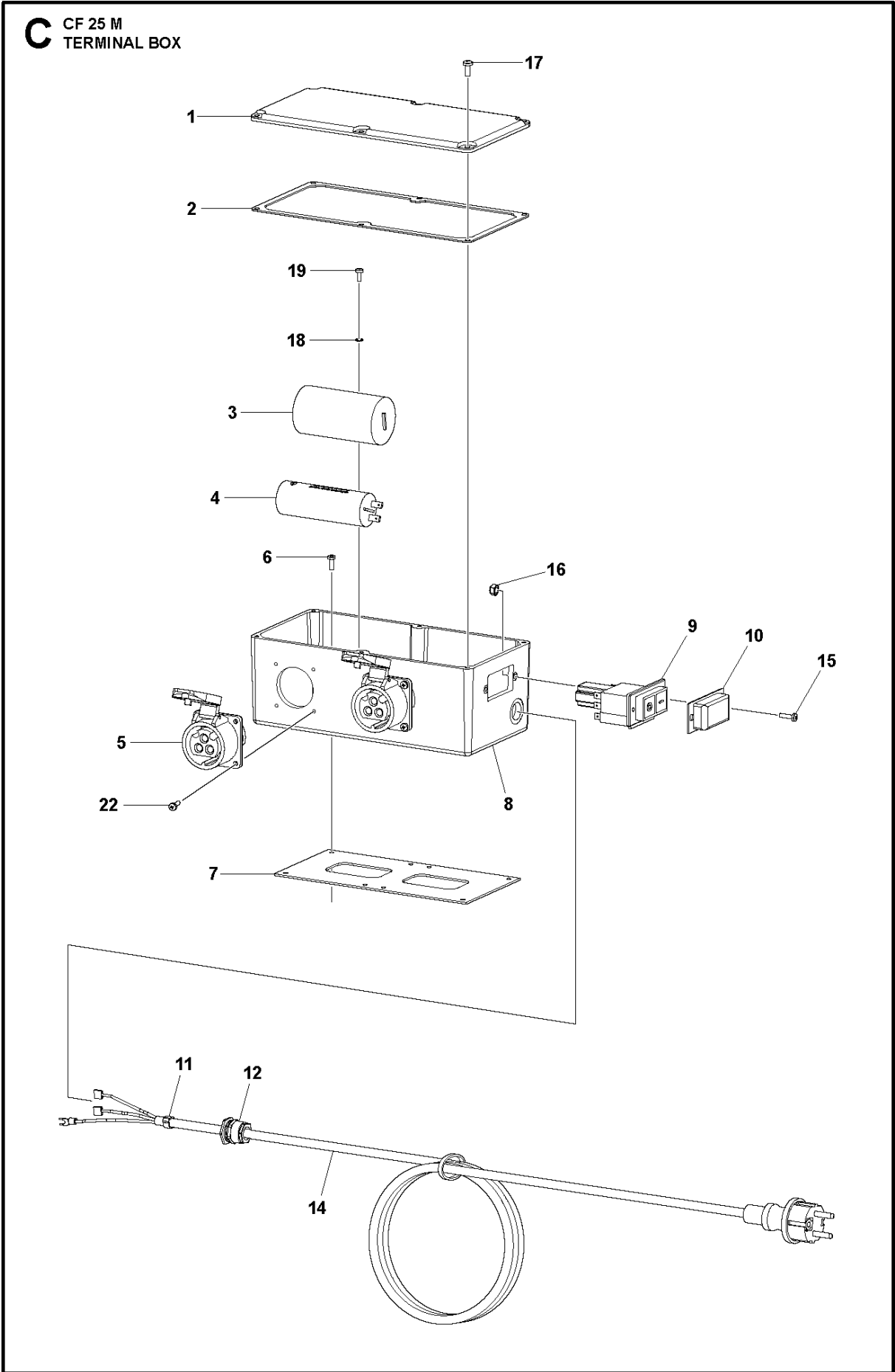
B CF 25 M
FREQUENCY CONVERTER



FREQUENCY CONVERTER

CF 25 M, 2020-06

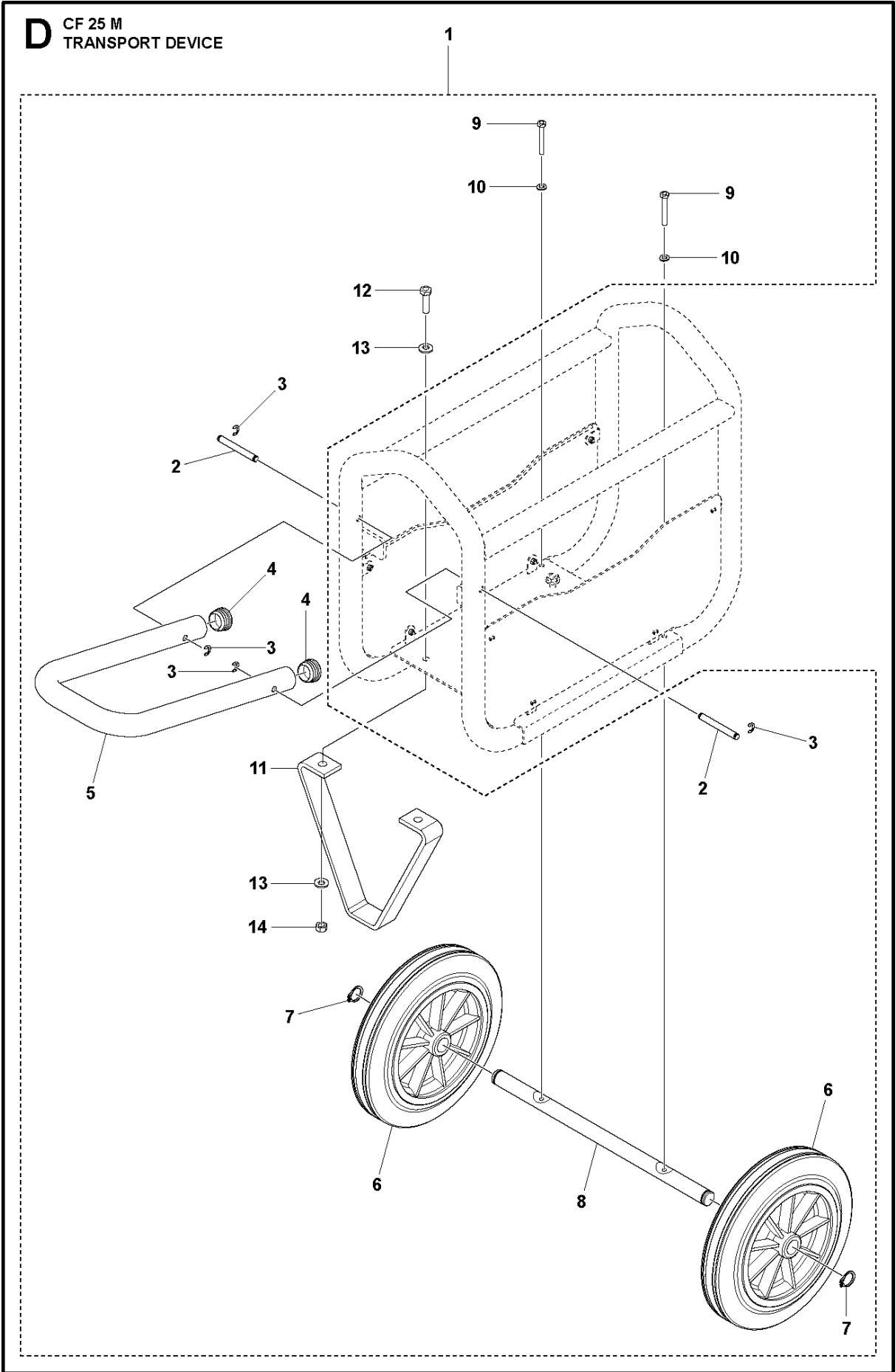
Ref	Part No	Description	Remark	QTY KIT
1	595 19 60-01	ROD		4
2	595 47 43-01	FLANGE		1
3	594 62 05-01	GENERATOR	Generator 42V-3-200Hz	1
4	595 47 44-01	ROTOR	Rotor 42V-3-200Hz	1
5	599 73 61-01	HOUSING	Motor 230V-1-50Hz	1
6	594 61 94-01	BEARING		2
7	595 47 45-01	WASHER		1
8	595 47 46-01	FLANGE		1
9	594 86 01-01	GASKET		1
10	594 62 07-01	FAN		1
11	594 62 08-01	RING		1
12	597 20 43-01	FAN COVER		1
13	599 14 25-01	SCREW	ST3.5x9.5, ISO7049, A2	4
14	731 23 14-01	HEXAGON NUT	M5, ISO4032, A2	4
15	599 14 24-01	SPRING WASHER	M5, DIN7980, Grower	4



TERMINAL BOX

CF 25 M, 2020-06

Ref	Part No	Description	Remark	QTY KIT
1	595 19 83-01	COVER		1
2	595 47 36-01	GASKET		1
3	594 62 09-01	CAPACITOR	Capacitor 40 μ F/450V	1
4	594 62 10-01	CAPACITOR	Capacitor 50 μ F/480V	1
5	595 52 42-01	PLUG	Outlet 42V/32A	1
6	599 14 26-02	SCREW	M4x12, ISO7045, ZnB	8
7	595 19 62-01	GASKET		1
8	596 05 87-01	BOX		8
9	594 62 11-01	SWITCH		1
10	594 61 84-01	DIAPHRAGM		1
11	595 52 45-01	BRACKET		1
12	595 19 48-01	CABLE		1
14	596 06 87-01	PLUG		1
15	599 14 26-01	SCREW	M4x16, ISO7045, ZnB	2
16	595 06 92-01	LOCK NUT	M4, ISO10511, A2	2
17	599 14 25-02	SCREW	ST3,9x9.5, ISO7049, A2	6
18	595 18 23-01	WASHER	M4, DIN6798A, A2	1
19	599 14 26-02	SCREW	M4x10, ISO7045, ZnB	1
22	599 14 25-03	SCREW	ST3,9x13, ISO7049, A2	4



TRANSPORT DEVICE

CF 25 M, 2020-06

Ref	Part No	Description	Remark	QTY	KIT
1	594 95 83-01	COVER		1	
2	594 78 64-01	AXLE		2	1
3	594 26 65-01	RING	Type RS, size 7	4	1
4	594 81 26-01	PLUG		2	1
5	594 85 98-01	HANDLE		1	1
6	594 37 11-01	WHEEL		2	1
7	599 74 06-01	CIRCLIP	D.20x1,75 DIN471	2	1
8	594 86 00-01	SHAFT		1	1
9	594 81 76-01	SCREW	H M6x45, ISO4017, 8.8, ZnB	2	1
10	595 03 65-01	WASHER	6,4x12x1,5	2	1
11	594 85 99-01	SUPPORT		1	1
12	595 34 43-01	SCREW	H M8x30, ISO4017, 8.8, A2K	2	1
13	595 06 66-01	WASHER	M8, ISO 7089	4	1
14	595 18 14-01	NUT	M8, ISO 4032	2	1

E CF 25 M
DECALS



DECALS

CF 25 M, 2020-06

Ref	Part No	Description	Remark	QTY KIT
1	591 35 73-01	DECAL		2
2	599 74 35-01	DECAL		2