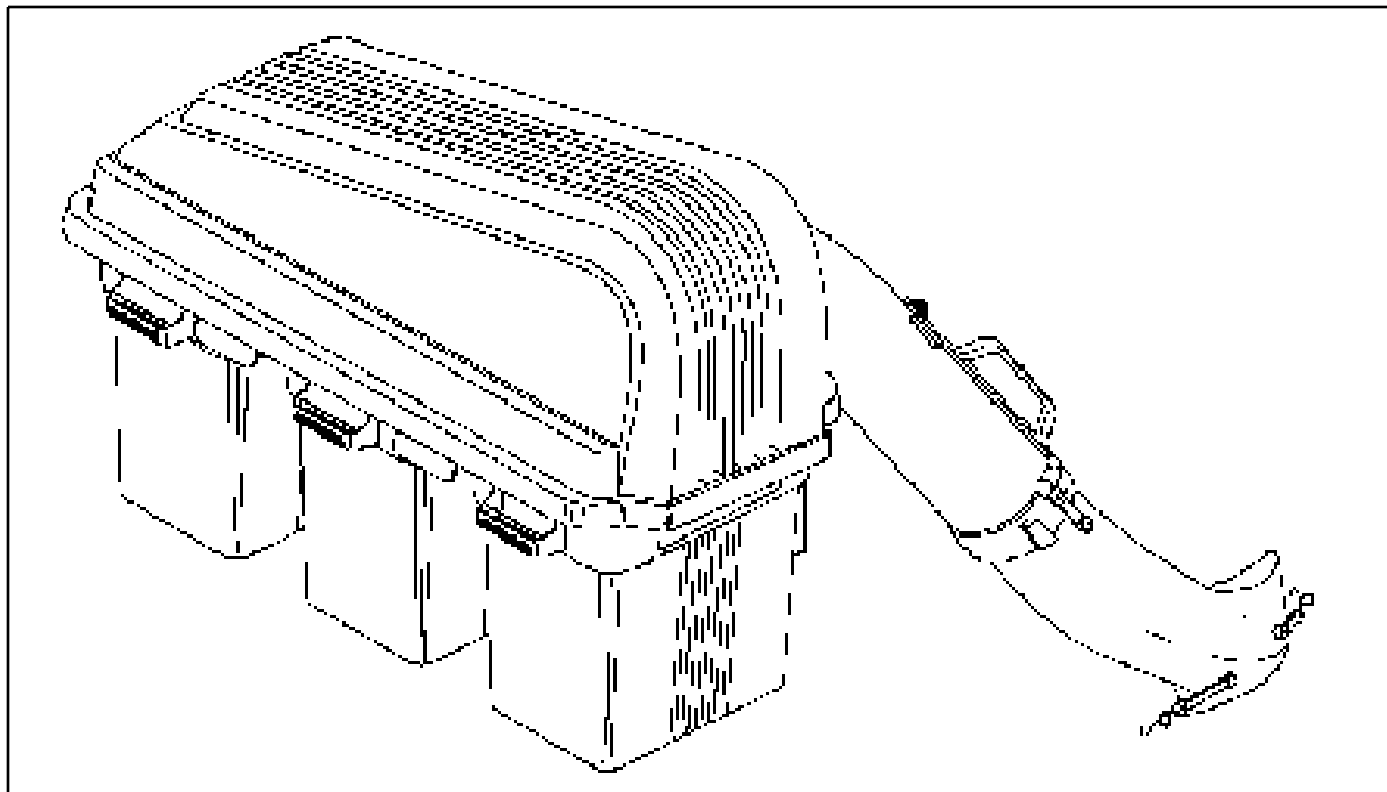


CG 46



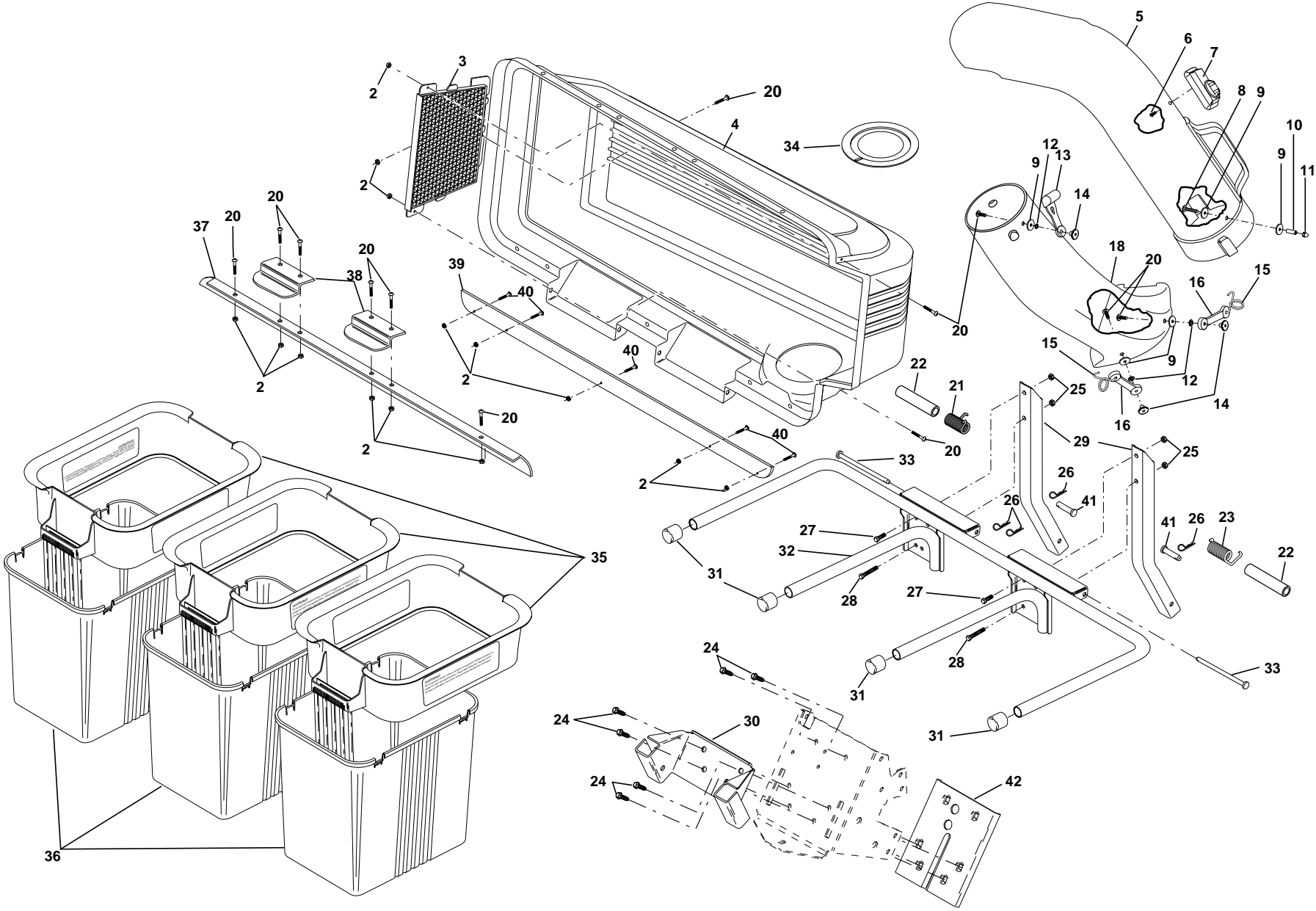
1.1997 **PARTS LISTING**

954040607a

REPAIR PARTS/PIÈCES DE RECHANGE

GRASS CATCHER - MODEL NUMBER 954040607A / RAMASSE-HERBE - NUMÉRO DE MODÈLE 954040607A

14



REPAIR PARTS/PIÈCES DE RECHANGE

GRASS CATCHER - MODEL NUMBER 954040607A / RAMASSE-HERBE - NUMÉRO DE MODÈLE 954040607A

15

| KEY NO. | PART NO. | DESCRIPTION | KEY NO. | PART NO. | DESCRIPTION |
|---------|-----------|----------------------------|---------|-----------|--|
| 2 | 532069180 | Nut, Crownlock #10-24 | 25 | 532063124 | Locknut 5/16 x 18 |
| 3 | 532127533 | Screen, Cover | 26 | 532124670 | Spring, Retainer |
| 4 | 532134678 | Cover | 27 | 874760512 | Bolt, Hex 5/16-18 x 3/4 |
| 5 | 532126840 | Chute, Upper | 28 | 874760536 | Bolt, Hex 5/16-18 x 2-1/4 |
| 6 | 818021008 | Screw, Special #10-14x1/2 | 29 | 532144840 | Bagger, Support Post |
| 7 | 532140572 | Dump Bagger Indicator | 30 | 532144839 | Bracket, Mounting |
| 8 | 532087175 | Screw, #10-24 x 1-1/8 | 31 | 532134496 | Plug, Tubing End |
| 9 | 819061216 | Washer 3/16x3/4x16 Ga. | 32 | 532134639 | Bagger, Frame |
| 10 | 532007206 | Spacer, Split | 33 | 532128600 | Pin, Hinge |
| 11 | 532060867 | Nut, Acorn #10-24 | 34 | 532127534 | Gasket, Cover |
| 12 | 810071000 | Washer, Lock | 35 | 532129585 | Container, Top |
| 13 | 532109808 | Latch, Chute | 36 | 532129586 | Container, Bottom |
| 14 | 532125004 | Nut, Weld | 37 | 532134637 | Seal, Cover |
| 15 | 532130760 | Latch, Hook | 38 | 532130895 | Latch Handle, Cover |
| 16 | 532130759 | Rubber, Latch | 39 | 532139854 | Strip, Seal |
| 18 | 532145578 | Chute, Lower | 40 | 871141008 | Screw #10-24 x 1/2 |
| 20 | 871161010 | Screw #10-24 x 5/8 | 41 | 532145326 | Pin, Clevis |
| 21 | 532132796 | Spring, Cover L.H. (black) | 42 | 532145892 | Plate, Reinforcement |
| 22 | 532140809 | Spacer, Cover | — | 532104419 | Bag, 3.0 mil. 30 Gallon |
| 23 | 532132983 | Spring, Cover R.H. (gray) | | | Trash (not included with bagger) |
| 24 | 874780712 | Bolt, 7/16-14 x 3/4 | — | 532155948 | Owner's Manual |
| | | | | | Écrou frein 5/16 x 18 |
| | | | | | Ressort de retenue |
| | | | | | Boulon H 5/16-18 x 3/4 |
| | | | | | Boulon H 5/16-18 x 2-1/4 |
| | | | | | Support du ramasse-herbe |
| | | | | | Support de montage |
| | | | | | Capuchon d'extrémité de tuyau |
| | | | | | Cadre de ramasse-herbe |
| | | | | | Goupille de charnière |
| | | | | | Garniture de couvercle |
| | | | | | Bac à gazon supérieur |
| | | | | | Bac à gazon inférieur |
| | | | | | Sceau de couvercle |
| | | | | | Poignée de loquet de couve |
| | | | | | Bande de scellement |
| | | | | | Vis #10-24 x 1/2 |
| | | | | | Axe de chape |
| | | | | | Plaque de renforcement |
| | | | | | Sac-poubelle; 3,0 mil. 30 gallon (N'y pas compris avec le ramasse-herbe) |
| | | | | | Manuel de propriétaire |