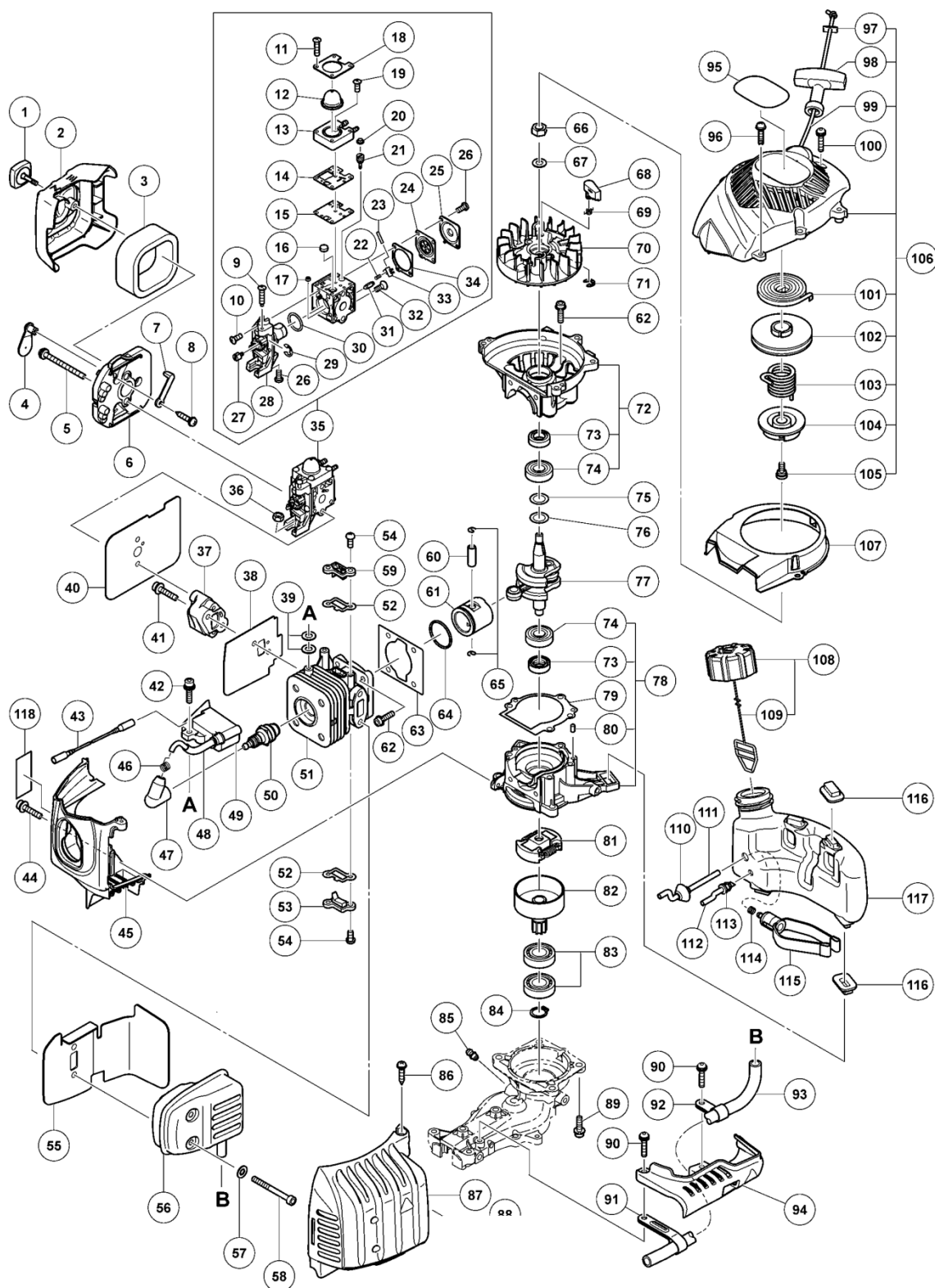
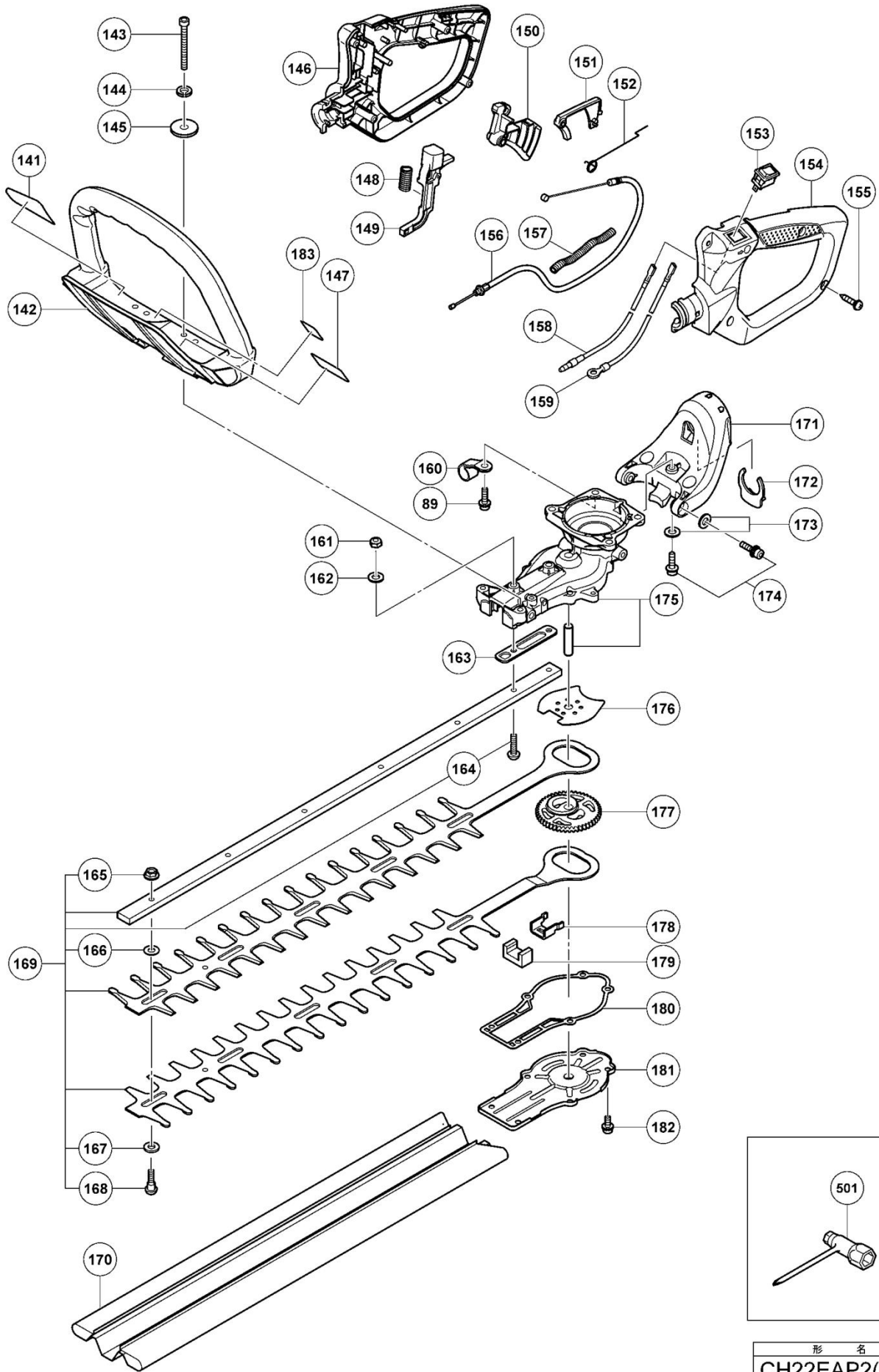


## ENGINE TOOL PARTS LIST

ENGINE HEDGE TRIMMER  
Model CH22EAP2

2013 • 07 • 11  
(E1)





## PARTS

CH22EAP2

ITEM NO.	CODE NO.	DESCRIPTION	NO. USED	REMARKS
1	6698730	COVER FIXING BOLT COMP.	1	
2	6698609	CLEANER COVER	1	
3	6690365	CLEANER SPONGE	1	
4	6698608	CHOKE VALVE	1	
5	307224	MACHINE SCREW (W/WASHERS) M5X60 (BLACK)	2	
6	6698606	CLEANER BODY	1	
7	6698607	CHOKE HANDLE	1	
8	309470	TAPPING SCREW (W/FLANGE) D4X12 (BLACK)	1	
9	6699087	THROTTLE ADJUST SCREW (TAS)	1	
10	6699088	SET SCREW (B)	3	
11	6699100	SET SCREW (D)	4	
12	6699098	SYRINGE	1	
13	6699097	PRIMER BASE	1	
14	6699096	PUMP GASKET	1	
15	6699095	PUMP DIAPHRAGM	1	
16	6699080	STRAINER	1	
17	6699103	GUIDE PIN ROLLER	1	
18	6699099	SYRINGE RETAINER	1	
19	6699101	SET SCREW (E)	1	
20	6699104	BALL PLUG RETAINER	1	
21	6699105	ADJUSTING SCREW (MAIN MIXTURE)	1	
22	6699083	METERING LEVER SPRING	1	
23	6699082	PIN	1	
24	6699091	METERING DIAPHRAGM	1	
25	6699093	METERING COVER	1	
26	6699094	SET SCREW (C)	3	
27	6699089	POST	1	
28	6699086	ROTOR COVER	1	
29	6699090	RETAINING RING (E-TYPE) FOR D2.5 SHAFT	1	
30	6699102	O-RING	1	
31	6699081	INLET NEEDLE VALVE	1	
32	6699085	SET SCREW (A)	1	
33	6699084	METERING LEVER	1	
34	6699092	METERING GASKET	1	
35	6699078	CARBURETOR ASS'Y	1	INCLUD.9-34
36	949567	LOCK NUT M6 (10 PCS.)	1	
37	6698387	CARBURETOR INSULATOR	1	
38	6698605	INTAKE PACKING	1	
39	6698700	GLASS WASHER	4	
40	6698816	CARBURETOR PACKING	1	
41	6698844	SEAL LOCK HEX. SOCKET BOLT (W/WASHERS)M5	2	
42	6698388	HEX. SOCKET HD. BOLT (W/WASHERS) M4X18	2	
43	6699060	CORD	1	
44	6698879	SEAL LOCK HEX. SOCKET HD. BOLT M4X12	1	
45	6698871	CYLINDER COVER	1	
46	6699180	METAL OF PLUG CAP (60) (B)	1	
47	6698548	PLUG CAP	1	
48	6699175	CORD INSULATION TUBE	1	
49	6698602	IGNITION COIL	1	
*50	6684584	SPARK PLUG BMR7A	1	
*50	6685052	SPARK PLUG CJ6	1	FOR USA
51	6698597	CYLINDER	1	
52	6696534	COVER PACKING	2	
53	6696535	INTAKE COVER (A)	1	
54	6696835	SEAL LOCK SCREW M4X10	4	
55	6698617	HEAT PROTECTION PANEL	1	
56	6698733	MUFFLER	1	
57	949432	BOLT WASHER M6 (10 PCS.)	2	

## Parts

CH22EAP2

ITEM NO.	CODE NO.	DESCRIPTION	NO. USED	REMARKS
58	6696819	HEX. SOCKET HD. BOLT M6X55	2	
59	6696536	INTAKE COVER (B)	1	
60	6696944	PISTON PIN	1	
61	6696531	PISTON	1	
62	6698386	HEX. SOCKET HD. BOLT (W/SP.WASHER) M5X18	8	
63	6696530	CYLINDER PACKING	1	
64	6696532	PISTON RING	1	
65	6684590	CIR CLIP	2	
66	6696879	FLYWHEEL NUT M7	1	
67	6696880	BOLT WASHER D7	1	
68	6698603	STARTER PAWL	2	
69	6685335	STARTER PAWL SPRING	2	
70	6698601	MAGNETO ROTOR	1	
71	6685336	RETAINING RING D4	2	
72	6698872	CRANK CASE (B) ASS'Y	1	INCLUD.73.74
73	6684607	OIL SEAL TB 12227	2	
74	6684608	BALL BEARING 6001 C3	2	
75	6696946	SHIM T0.2	1	
76	6696945	SHIM T0.3	1	
77	6699043	CRANK SHAFT	1	
78	6698729	CRANK CASE (A) ASS'Y	1	INCLUD.73.74.80
79	6696539	CRANK CASE PACKING	1	
80	6696947	KNOCK PIN 4X12	2	
81	6699173	CLUTCH (B)	1	
82	6699040	CLUTCH DRUM	1	
83	6698740	BALL BEARING 6002ZC3	2	
84	939544	RETAINING RING FOR D15 SHAFT (10 PCS.)	1	
85	6688643	GREASE NIPPLE COMP.	1	
86	302089	TAPPING SCREW (W/FLANGE) D5X20 (BLACK)	1	
87	6698876	MUFFLER PROTECTOR	1	
88	887021	SCREW (W/WASHERS) M5X16 (BLACK)	1	
89	6695495	HEX. HOLE BOLT 6X18/S	4	
90	6698988	HEX. SOCKET HD. BOLT (W/BUTTON) M5X20	2	
91	6699047	FIXATION PLATE (A)	1	
92	6699048	FIXATION PLATE (B)	1	
93	6699052	TAIL PIPE (A)	1	
94	6699037	EXHAUST COVER	1	
95		HITACHI LABEL	1	
96	6698878	TAPPING SCREW D4.5X16	1	
97	6685189	PLATE	1	
98		STARTER KNOB	1	
99		STARTER ROPE	1	
100	6698988	HEX. SOCKET HD. BOLT (W/BUTTON) M5X20	3	
101	6697591	RECOIL SPRING	1	
102	6693072	STARTER ROPE REEL	1	
103	6685183	DAMPER SPRING	1	
104		CAM PLATE	1	
105	6684679	SET SCREW	1	
*106	6698622	RECOIL STARTER ASS'Y	1	INCLUD.97-99.101-105
*106	6698623	RECOIL STARTER ASS'Y	1	INCLUD.97-99.101-105 FOR USA
107	6698624	AIR DEFLECTOR	1	
108	6698402	FUEL TANK CAP ASS'Y	1	INCLUD.109
109	6698732	TANK CAP CHAIN	1	
110	6698931	FUEL GROMMET	1	
111	6698873	FUEL PIPE	1	
*111	6699183	FUEL PIPE	1	FOR USA
112	6698875	FUEL PIPE (PINK)	1	
113	6696970	RETURN GROMMET	1	



