

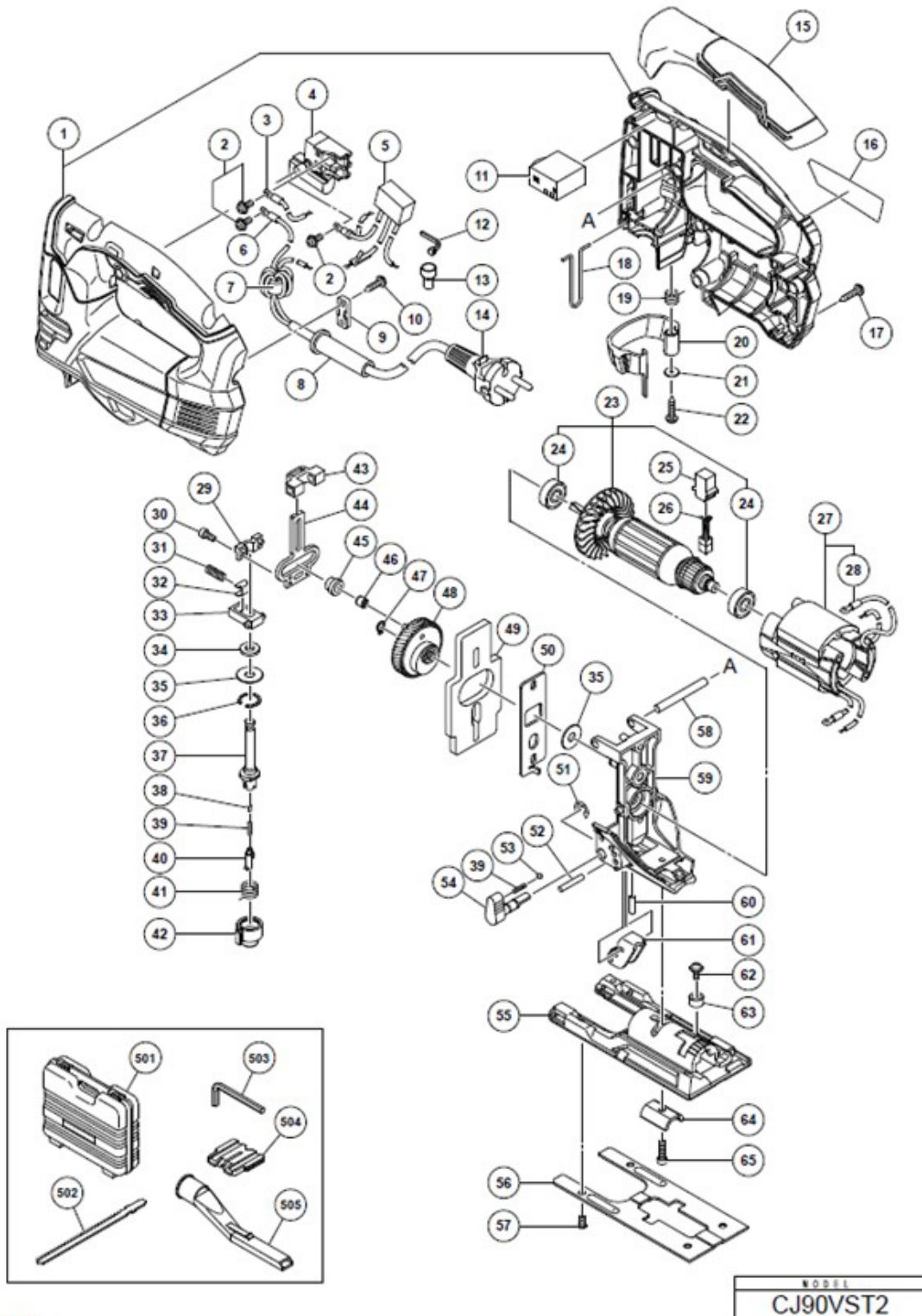
ELECTRIC TOOL PARTS LIST

ELECTRIC JIG SAW

2021 • 02 • 15

Model CJ 90VST2

(E1)



Rev.1

MODEL
CJ90VST2

PARTS

CJ 90VST2

| ITEM NO. | CODE NO. | DESCRIPTION | NO. USED | REMARKS |
|----------|----------|---|----------|------------------------------|
| *1 | 376483M | HOUSING (A).(B) SET | 1 | FOR USA.CAN |
| 2 | 305499 | MACHINE SCREW (W/WASHER) M3.5X6 | 2 | |
| *3 | 376462 | INTERNAL WIRE ASS'Y (B) | 1 | FOR UAE.THA.SIN.MAL.HKG |
| 4 | 376485 | TRIGGER SWITCH | 1 | |
| 6 | 980063 | TERMINAL | 1 | |
| 8 | 930487 | CORD ARMOR D8.2 | 1 | |
| 9 | 937631 | CORD CLIP | 1 | |
| 10 | 984750 | TAPPING SCREW (W/FLANGE) D4X16 | 2 | |
| *11 | 376488 | CONTROLLER | 1 | FOR 110V-120V |
| 12 | 975144 | CABLE TIE | 1 | |
| 13 | 959141 | CONNECTOR 50092 (10 PCS.) | 1 | |
| *14 | 500240Z | CORD | 1 | (CORD ARMOR D8.2)FOR USA.CAN |
| 15 | 376482 | GRIP COVER | 1 | |
| 16 | | NAME PLATE | 1 | |
| 17 | 301653 | TAPPING SCREW (W/FLANGE) D4X20 (BLACK) | 9 | |
| 18 | 376484 | GUARD BAR | 1 | |
| 19 | 376481 | LEVER SPRING | 1 | |
| 20 | 375856 | LEVER | 1 | |
| 21 | 333916 | WASHER | 1 | |
| 22 | 332929 | TAPPING SCREW (W/FLANGE) D3X20 | 1 | |
| *23 | 361136D | ARMATURE ASS'Y 120V | 1 | INCLUD.24 |
| 24 | 608VVM | BALL BEARING 608VVC2PS2L | 2 | |
| 25 | 930483 | BRUSH HOLDER | 2 | |
| 26 | 999041 | CARBON BRUSH (1 PAIR) | 2 | |
| *27 | 341075D | STATOR ASS'Y 120V | 1 | INCLUD.28 |
| 28 | 960356 | TERMINAL (A) M3.5 (10 PCS.) | 2 | |
| 29 | 376473 | PLUNGER COVER | 1 | |
| 30 | 325077 | SEAL LOCK HEX. SOCKET HD. BOLT M3X6 | 2 | |
| 31 | 376476 | SPRING (C) | 1 | |
| 32 | 376475 | SPRING PLATE | 1 | |
| 33 | 376487 | PLUNGER HOLDER (B) | 1 | |
| 34 | 376474 | PACKING | 1 | |
| 35 | 376467 | WASHER (A) | 2 | |
| 36 | 376480 | RETAINING RING D15 | 1 | |
| 37 | 376472 | PLUNGER (B) | 1 | |
| 38 | 376604 | NEEDLE ROLLER (C) | 1 | |
| 39 | 982454 | SPRING (C) | 2 | |

STANDARD ACCESSORIES**CJ 90VST2**

| ITEM NO. | CODE NO. | DESCRIPTION | NO. USED | REMARKS |
|----------|----------|--------------------------------------|----------|---------|
| 40 | 376479 | PLUNGER PIECE | 1 | |
| 41 | 376478 | HOLDER SPRING | 1 | |
| 42 | 376477 | HOLDER COVER | 1 | |
| 43 | 376470 | PLUNGER HOLDER (A) | 1 | |
| 44 | 376471 | PLUNGER (A) | 1 | |
| 45 | 332829 | CONNECTING PIECE (A) | 1 | |
| 46 | 325242 | NEEDLE BEARING | 1 | |
| 47 | 994251 | RETAINING RING FOR D7 SHAFT | 1 | |
| 48 | 376466 | GEAR | 1 | |
| 49 | 376469 | BALANCE WEIGHT | 1 | |
| 50 | 376468 | ORBITAL CAM | 1 | |
| 51 | 673489 | RETAINING RING (E-TYPE) FOR D5 SHAFT | 1 | |
| 52 | 376683 | NEEDLE ROLLER D4X24 | 1 | |
| 53 | 335297 | STEEL BALL 5/32 (10 PCS.) | 1 | |
| 54 | 338992 | CHANGE KNOB | 1 | |
| 55 | 375854 | BASE | 1 | |
| 56 | 375855 | BASE PLATE | 1 | |
| 57 | 321996 | SPECIAL BOLT | 4 | |
| 58 | 376460 | D6 PIN | 1 | |
| 59 | 376464 | GEAR HOLDER ASS'Y | 1 | |
| 60 | 983545 | NEEDLE ROLLER | 1 | |
| 61 | 376465 | ROLLER HOLDER | 1 | |
| 62 | 375857 | MACHINE SCREW (W/WASHER) M4X5 | 1 | |
| 63 | 321576 | RUBBER BUSHING | 1 | |
| 64 | 339663 | BASE LOCKER | 1 | |
| 65 | 372724 | HEX. SOCKET HD. BOLT M5X18 | 1 | |
| | | STANDARD ACCESSORIES | | |
| 502 | 879357 | JIG SAW BLADES NO.41 (5 PCS.) | 1 | |
| 503 | 944458 | HEX. BAR WRENCH 4MM | 1 | |
| 504 | 338997 | SPLINTER GUARD | 1 | |

OPTIONAL ACCESSORIES

| ITEM NO. | CODE NO. | DESCRIPTION | NO. USED | REMARKS |
|----------|----------|-----------------------------------|----------|---------|
| 601 | 321593 | GUIDE | 1 | |
| 602 | 339018 | SUB BASE | 1 | |
| 603 | 370492 | DUST COLLECTOR | 1 | |
| 604 | 930035 | GREASE (SEP-3A) (100G) | 1 | |
| 605 | 372814 | GREASE (NIPPECO BC-4) 75G | 1 | |
| 606 | 325149 | GREASE (MOLUB-ALLOY NO.777-1) 75G | 1 | |
| 607 | 879336 | JIG SAW BLADES NO.11 (5 PCS.) | 1 | |

OPTIONAL ACCESSORIES**CJ 90VST2**

| ITEM NO. | CODE NO. | DESCRIPTION | NO. USED | REMARKS |
|----------|----------|---|----------|---------|
| 608 | 879337 | JIG SAW BLADES NO.12 (5 PCS.) | 1 | |
| 609 | 879338 | JIG SAW BLADES NO.15 (5 PCS.) | 1 | |
| 610 | 879339 | JIG SAW BLADES NO.16 (5 PCS.) | 1 | |
| 611 | 879340 | JIG SAW BLADES NO.21 (5 PCS.) | 1 | |
| 612 | 879341 | JIG SAW BLADES NO.22 (5 PCS.) | 1 | |
| 613 | 963400 | JIG SAW BLADES NO.97 FOR STAIN-LESS(5PCS) | 1 | |