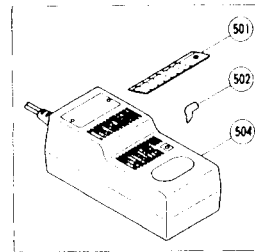
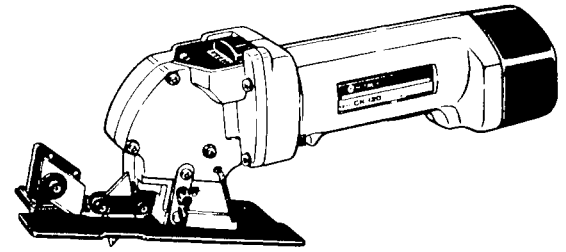
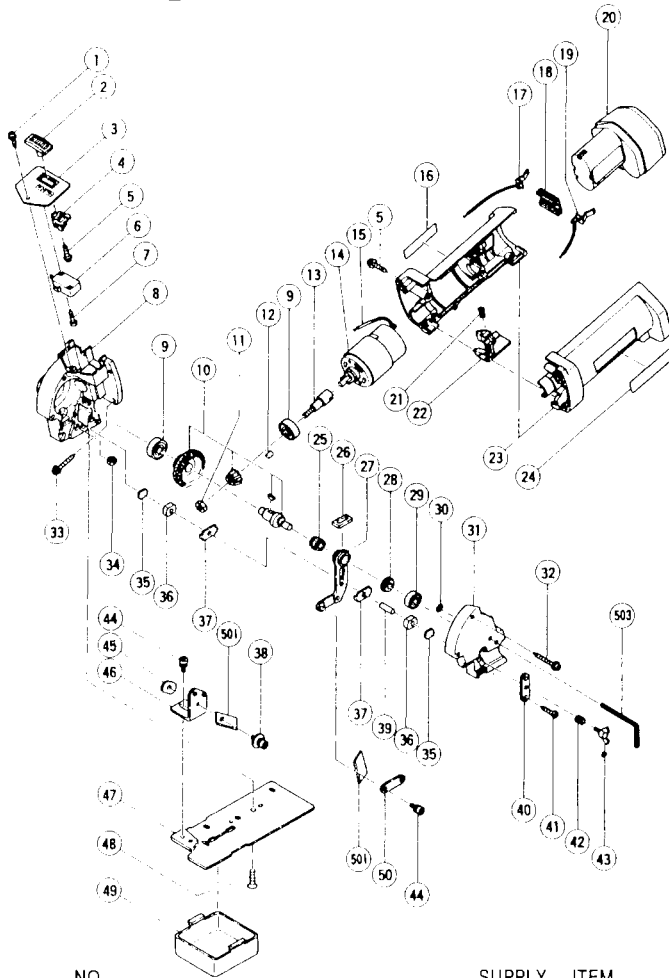




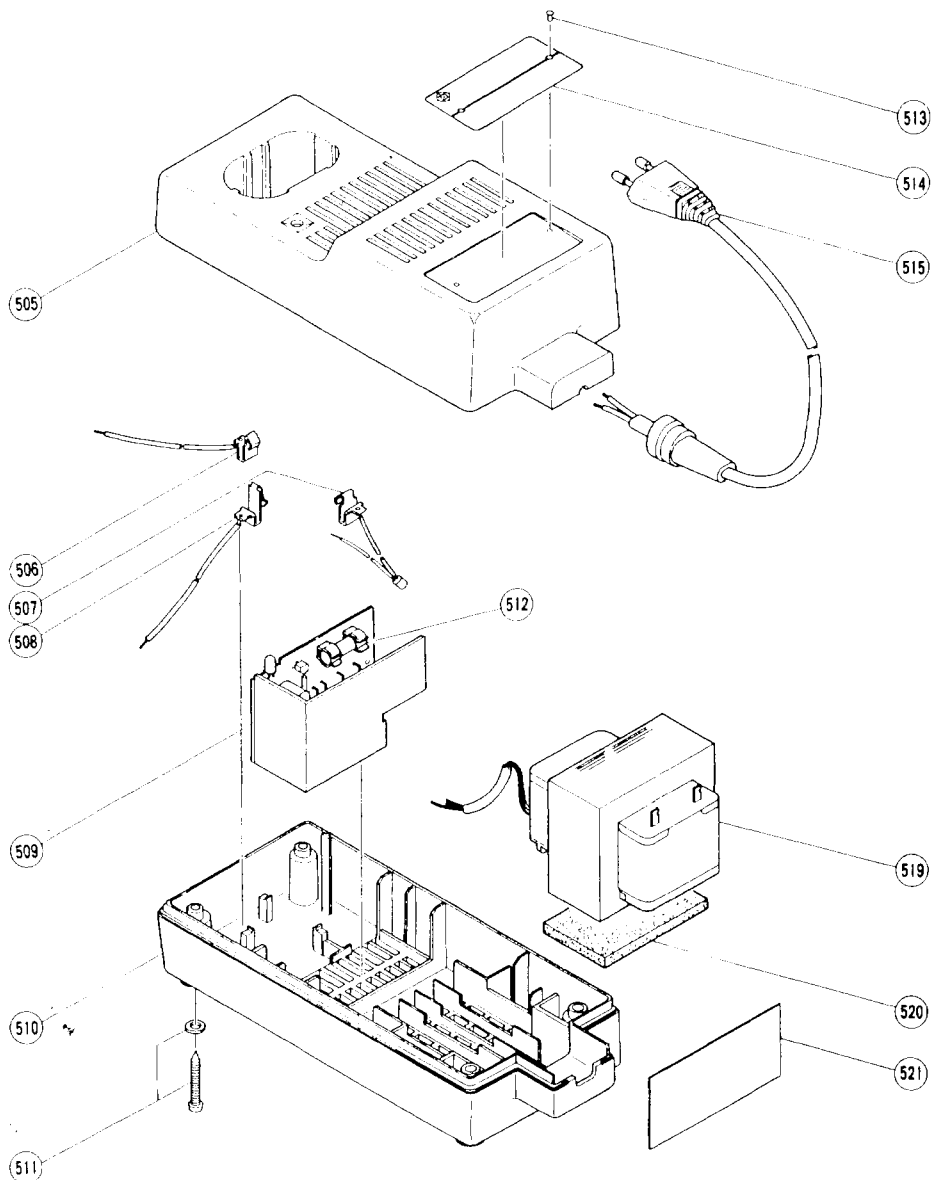
HITACHI

CORDLESS KNIFE CUTTER

Model CK 12D



ITEM NO.	PART NO.	NO. USED	DESCRIPTION	SUPPLY Q'TY	ITEM NO.	PART NO.	NO. USED	DESCRIPTION	SUPPLY Q'TY
1	995481	1	Tapping Screw D3×10 (w / Washer)		29	606ZZM	1	Ball Bearing 606ZZMC3PS2S	
2	995475	1	Button		30	873093	1	O-Ring (P-3)	
3	995482	1	Switch Pate		31	993798	1	Gear Cover (B) Assembly (includes Item No.35,36)	
4	995476	1	Switch Lock		32	981814	3	Tapping Screw D4×30 w / Washer	
5	991672	6	Tapping Screw D3×16		33	956636	4	Tapping Screw D4×25 w / Washer	
6	995472	1	Micro Switch		34	949566	2	Lock Nut M5	10
7	995474	4	Tapping Screw D3×14		35	993814	2	Washer	
8	995478	1	Gear Cover (A) Assembly (includes Item No.35,36)		36	997752	2	Metal	
9	608VVM	2	Ball Bearing 608VVMC2EPS2SL		37	993804	2	Liner	
10	993800	1	Spindle Gear		38	993821	1	Hex Socket Head Bolt M4×12 w / Spring Washer,Washer	
11	993799	1	Left Hand Lock Nut M6		39	993805	1	Needle Roller	
12	931701	1	Bearing Lock		40	993811	1	Blade Holder (B)	
13	995479	1	Shaft		41	954017	2	Tapping Screw D4×12	
14	995471	1	Motor		42	935295	1	Spring	
15	—	1	Internal Wire		43	995480	1	Wing Bolt M4	
16	—	1	Caution Plate		44	993820	4	Hex Socket Head Bolt (w / Spring Washer)	
17	995493	1	Terminal		45	993819	1	Special Nut	
18	991666	1	Terminal Support		46	993808	1	Ruled Blade Holder	
19	991667	1	Terminal		47	995491	1	Base Assembly (includes Item No.44,46,49)	
20	991644Z	1	Battery		48	993809	2	Seal Lock Screw M5×16	
21	990545	1	Spring (C)		49	995484	1	Blade Cover	
22	995477	1	Lever		50	993806	1	Blade Holder	
23	995470	1	Housing Set		501	995488	1	Spare Blade	
24	—	1	Nameplate		502	959802	1	Blade for Plywood	
25	993817	1	Needle Bearing KT91210		503	993822	1	Hex Bar Wrench 3mm	
26	993802	1	Felt		504	—	1	Charger (Model UC 9)	
27	993801	1	Rod						
28	993810	1	Sleeve						



ITEM NO.	PART NO.	NO. USED	DESCRIPTION	SUPPLY Q'TY	ITEM NO.	PART NO.	NO. USED	DESCRIPTION	SUPPLY Q'TY
505	991781	1	Case (A)		512	991807	1	Fuse	
506	991797	1	Terminal (A)		513	949510	2	Rivet D2.5×4.8	10
507	991801	1	Thermo Fuse		514	—	1	Nameplate	
508	991798	1	Terminal (B)		515	984431Z	1	Cord	
509	991794Z	1	Circuit Board Assembly (includes Item No.512)		519	991787Z	1	Transformer	
510	991784	1	Case (B)		520	984404	1	Cushion	
511	982095	4	Tapping Screw D3×14 w / Washer		521	991802	1	Plate	