

Slide Mitre Saw - 3 601 M23 210 - CM12SD

www.powertools-aftersaleservice.com



BOSCH

Item	Part Number	Description	Illustration	Price	Quantity	Price Group
2	1 609 B04 897	Field 110V	5	-,-	1	41
4	2 610 950 336	Switch	4	-,-	1	28
5	1 609 B04 861	Power supply cord	4	-,-	1	28
7	1 619 P03 808	Cable Clip	4	-,-	1	10
8	1 609 B04 945	Nameplate	5	-,-	1	10
9	1 609 B04 948	Manufacturer's nameplate CM12SD	5	-,-	1	13
13	1 609 B00 597	Bearing	4	-,-	1	22
32	1 609 B04 702	Sliding Plate	1	-,-	3	19
33	1 609 B04 703	Detent plate	1	-,-	1	20
34	1 609 B04 704	Scale	1	-,-	1	18
38	1 609 B04 709	Mitre Fence	1	-,-	1	32
39	1 609 B04 710	Mitre Fence	1	-,-	1	32
41	1 609 B04 711	Mitre Fence	1	-,-	1	32
42	1 609 B04 712	Mitre Fence	1	-,-	1	32
43	1 609 B04 715	Knob	1	-,-	2	13
44	1 609 B04 721	Base Plate	2	-,-	1	51
45	1 609 B04 722	Shaft	2	-,-	1	16
47	1 609 B04 725	Knob	2	-,-	1	17
48	1 609 B04 726	Detent	2	-,-	1	14
49	1 609 B04 727	Cover	2	-,-	2	14
51	1 609 B04 728	Supporting foot	2	-,-	1	14
52	1 609 B04 743	Detent	2	-,-	2	25
53	1 609 B04 744	Shoulder Screw	2	-,-	2	10
54	1 609 B04 745	Contact strap	2	-,-	2	10
55	1 609 B04 746	Ball	2	-,-	2	10
56	1 609 B04 747	Detent	2	-,-	1	14
57	1 609 B04 748	Detent	2	-,-	1	22
58	1 609 B04 749	Contact strap	2	-,-	1	10
59	1 609 B04 750	Leaf Spring	2	-,-	1	11
61	1 609 B04 751	Pointer	2	-,-	1	11
62	1 609 B04 752	Scale	2	-,-	1	29
63	1 609 B04 754	Sliding Plate	2	-,-	1	12
64	1 609 B04 755	Cover	2	-,-	1	10

Item	Part Number	Description	Illustration	Price	Quantity	Price Group
65	1 609 B04 756	Contact strap	2	-,-	1	10
66	1 609 B04 758	Leaf Spring	2	-,-	1	10
67	1 609 B04 761	Post	3	-,-	1	42
68	1 609 B04 773	Pointer	3	-,-	1	10
69	1 609 B04 774	Pointer	3	-,-	1	10
71	1 609 B04 775	Bearing	3	-,-	4	36
72	1 609 B04 776	Wear Plate	3	-,-	2	12
73	1 609 B04 778	Plate	3	-,-	4	15
74	1 609 B04 780	Felt	3	-,-	4	12
75	1 609 B04 781	Knob	3	-,-	1	16
76	1 609 B04 791	Contact strap	3	-,-	1	10
77	1 609 B04 794	Locking Lever	3	-,-	1	27
78	1 609 B04 795	Lever Shaft	3	-,-	1	27
79	1 609 B04 798	Cover	3	-,-	1	10
81	1 609 B04 801	Arm	4	-,-	1	46
83	1 609 B04 803	Belt Cover	4	-,-	1	22
84	1 609 B04 804	Transmission Shaft	4	-,-	1	22
85	1 609 B04 805	Pulley	4	-,-	1	26
86	1 609 B04 806	Sprocket	4	-,-	2	25
87	1 609 B04 807	Washer	4	-,-	1	11
88	1 609 B04 808	Chain	4	-,-	1	27
89	1 609 B04 809	Output Shaft	4	-,-	1	22
91	1 609 B04 810	Plate	4	-,-	1	11
92	1 609 B04 811	Spindle	4	-,-	1	11
93	1 609 B04 812	Cover	4	-,-	1	10
95	1 609 B04 820	Chip Deflector	4	-,-	1	12
96	1 609 B04 821	Chip Deflector	4	-,-	1	12
97	1 609 B04 816	Pivot Pin	4	-,-	1	15
102	1 609 B04 822	Gasket	4	-,-	1	14
103	1 609 B04 825	Cable Clip	4	-,-	1	10
104	1 609 B04 826	Wear Plate	4	-,-	2	10
105	1 609 B04 827	Cable Clip	4	-,-	1	10
106	1 609 B04 828	Carrying Handle	4	-,-	1	15
107	1 609 B04 829	Screw	4	-,-	1	10
109	1 609 B04 831	Torsion Spring	4	-,-	1	24
111	1 609 B04 832	Screw	4	-,-	4	25
115	1 609 B04 836	Screw	4	-,-	2	10
116	1 609 B04 837	Torsion Spring	4	-,-	1	15
117	1 609 B04 838	Compression Spring	4	-,-	1	12
122	1 609 B04 843	End cap	3	-,-	1	22
123	1 609 B04 844	Plate	3	-,-	1	12
126	1 609 B04 847	Dust Extraction	3	-,-	1	16
127	1 609 B04 848	Support bracket	3	-,-	2	12
132	1 609 B04 857	Wire	4	-,-	1	11
141	1 609 B04 875	Linkage	5	-,-	1	22
142	1 609 B04 876	Shoulder Screw	5	-,-	1	10
143	1 609 B04 892	Intermediate Flange	5	-,-	1	26
144	1 609 B04 901	End cap	5	-,-	1	15
145	1 609 B04 904	Baffle	5	-,-	1	14
146	1 609 B04 911	Screw	5	-,-	2	15
148	1 609 B04 915	Wire	5	-,-	1	14
149	1 609 B04 916	Wire	5	-,-	1	11
151	1 609 B04 920	Wire	5	-,-	1	12

Item	Part Number	Description	Illustration	Price	Quantity	Price Group
152	1 609 B04 918	Wire		5	-,-	1 13
154	1 609 B04 921	Sleeve		5	-,-	1 10
155	1 609 B04 922	Sleeve		3	-,-	1 10
156	1 609 B04 923	Clip		5	-,-	1 10
158	1 609 B04 954	Label		1	-,-	1 13
159	1 609 B04 955	Label		1	-,-	1 13
162	1 609 B04 952	Label		1	-,-	1 13
163	1 609 B04 953	Label		1	-,-	1 10
164	1 609 B04 956	Label		5	-,-	1 13
165	1 609 B04 957	Label		5	-,-	1 10
166	1 609 B04 958	Label		5	-,-	1 13
167	1 609 B05 245	Warning Label		2	-,-	1 13
168	1 609 B04 233	Warning Label		2	-,-	1 13
169	1 609 B04 938	Label		2	-,-	1 11
171	1 609 B04 939	Label		3	-,-	1 13
172	1 609 B04 940	Label		1	-,-	2 13
173	1 609 B04 782	Plate		3	-,-	1 12
174	1 609 B04 783	Shoulder Screw		3	-,-	1 10
175	1 609 B04 823	Safety Guard		4	-,-	1 15
176	1 609 B04 824	Torsion Spring		4	-,-	1 10
183	1 609 B04 757	Washer		2	-,-	1 10
186	1 609 B04 762	Leaf Spring		3	-,-	1 10
187	1 609 B04 959	Label		4	-,-	1 13
201	1 609 B00 207	Belt		4	-,-	1 31
202	1 609 B00 211	Flange Bolt		4	-,-	1 16
203	1 609 B00 213	Flange Bolt		2	-,-	8 10
204	1 609 B00 223	Screw		1	-,-	2 11
205	1 609 B00 225	Nut		1	-,-	4 15
206	1 609 B00 227	Rubber Bushing		1	-,-	4 10
207	1 609 B00 256	Socket wrench		1	-,-	1 12
208	1 609 B00 305	Bolt		2	-,-	1 13
209	1 609 B00 350	Knob		3	-,-	1 11
211	1 609 B00 351	Shoulder Screw		3	-,-	1 10
212	1 609 B00 370	Shaft		3	-,-	1 11
213	1 609 B00 382	Knob RED		4	-,-	1 17
214	1 609 B00 390	Button		4	-,-	1 10
215	1 609 B00 417	Compression Spring		4	-,-	1 10
216	1 609 B00 418	Sleeve		3	-,-	2 10
218	1 609 B00 449	Bushing		5	-,-	1 10
222	1 609 B00 454	Screw		4	-,-	8 10
224	1 609 B00 457	Washer		5	-,-	1 10
225	1 609 B00 458	Quick-Lock		5	-,-	2 10
227	1 609 B00 478	Brush-Cover		5	-,-	2 10
228	1 609 B00 480	Rubber Bushing		5	-,-	1 12
229	1 609 B00 483	Bearing Plate		5	-,-	1 11
235	1 609 B00 533	Rubber Bushing		1	-,-	1 10
237	1 609 B00 592	Key		4	-,-	2 10
238	1 609 B00 593	Key		4	-,-	1 10
239	1 609 B00 596	Bearing		4	-,-	2 23
241	1 609 B00 601	O-Ring		3	-,-	1 10
242	1 609 B00 602	Bolt		1	-,-	1 11
243	1 609 B00 603	Lock Nut		2	-,-	1 10
244	1 609 B00 605	Lock Nut		2	-,-	1 10

Item	Part Number	Description	Illustration	Price	Quantity	Price Group
245	1 609 B00 617	Set screw	3	-,-	5	11
246	1 609 B00 627	Screw	2	-,-	6	12
247	1 609 B00 630	Screw	3	-,-	3	10
248	1 609 B00 633	Screw	3	-,-	8	10
249	1 609 B00 636	Tapping Screw	2	-,-	8	10
251	1 609 B00 637	Tapping Screw	4	-,-	8	10
252	1 609 B00 641	Retaining ring	4	-,-	2	10
253	1 609 B00 643	Retaining ring	4	-,-	1	10
254	1 609 B00 644	Retaining ring	1	-,-	5	10
255	1 609 B00 649	Screw	5	-,-	2	10
256	1 609 B00 650	Screw	2	-,-	7	10
257	1 609 B00 652	Screw	4	-,-	1	10
258	1 609 B00 654	Screw	4	-,-	9	10
259	1 609 B00 658	Spring Washer	2	-,-	1	10
262	1 609 B00 662	Washer	5	-,-	1	10
264	1 609 B00 665	Washer	2	-,-	1	10
265	1 609 B00 667	Washer	2	-,-	6	10
266	1 609 B00 669	Washer	1	-,-	4	10
268	1 609 B00 674	Washer	3	-,-	2	10
269	1 609 B00 675	Washer	5	-,-	1	10
271	1 609 B00 678	Screw	1	-,-	2	10
273	1 609 B00 690	Retaining ring	3	-,-	1	10
275	1 609 B00 861	Knob	1	-,-	3	11
276	1 609 B02 184	O-Ring	4	-,-	5	10
277	1 609 B01 041	Hex Nut	3	-,-	1	10
278	1 609 B01 050	Screw	4	-,-	1	10
279	1 609 B01 194	Tapping Screw	3	-,-	1	10
281	1 609 B01 356	Cyl Head tapping screw	4	-,-	1	10
282	1 609 B01 388	Screw	3	-,-	1	10
283	1 609 B04 869	Cable Holder	3	-,-	1	10
284	1 609 B01 462	Shoulder Screw	2	-,-	1	10
285	1 609 B01 512	Cable Clip	3	-,-	1	10
287	1 609 B01 531	Trigger	4	-,-	1	12
288	1 609 B01 533	Cord guard	4	-,-	1	10
289	1 609 B01 538	Cable Tape	4	-,-	1	10
292	1 609 B01 599	Control Screw	3	-,-	1	11
293	1 609 B01 605	Bushing	4	-,-	2	11
295	1 609 B01 660	Screw	2	-,-	5	10
296	1 609 B01 664	Screw	3	-,-	8	10
297	1 609 B01 668	Washer	2	-,-	3	10
298	1 609 B01 690	Screw	3	-,-	1	10
299	1 609 B01 693	Screw	5	-,-	2	10
300	1 609 B01 992	End Clip	4	-,-	1	10
304	1 609 B02 182	Screw and washer assembly	4	-,-	5	10
305	1 609 B01 696	Washer	3	-,-	2	10
309	1 609 B00 208	Flange	4	-,-	1	23
310	1 609 B00 210	Flange	4	-,-	1	15
317	1 609 B02 467	Bumper	5	-,-	1	10
325	1 609 B03 179	Screw	4	-,-	2	10
326	1 609 B03 722	Screw	1	-,-	4	10
327	1 609 B03 733	Control Lever	3	-,-	1	16
329	1 609 B03 741	Lock Plate	3	-,-	1	13
330	1 609 B03 742	Adjusting bolt	3	-,-	2	10

Item	Part Number	Description	Illustration	Price	Quantity	Price Group
331	1 609 B03 753	Slide Stop	3	-,-	2	10
332	1 609 B03 770	Friction Plate	3	-,-	2	20
333	1 609 B03 776	Stop bolt	3	-,-	3	10
334	1 609 B04 086	Screw	2	-,-	1	10
335	1 609 B04 227	Adjusting Nut	3	-,-	3	10
336	1 609 BP7 059	Connection Block	4	-,-	1	11
338	1 609 BP7 124	Roller	5	-,-	2	11
339	1 609 B00 622	Rivet	1	-,-	7	10
351	1 609 B01 463	Shoulder Screw	4	-,-	1	10
352	1 609 B04 865	Button	4	-,-	1	10
354	1 609 B01 529	Linkage	4	-,-	1	11
355	1 609 B01 530	Compression Spring	4	-,-	1	10
801	1 609 B05 013	Housing Assembly	5	-,-	1	29
803	1 609 B05 027	Armature assembly 110V	5	-,-	1	47
810	2 610 021 310	Carbon-Brush Set	5	-,-	1	27
812	1 609 B05 016	Tensioning Bracket	4	-,-	1	16
814	1 609 B02 316	Bearing	5	-,-	1	27
818	1 609 B05 020	Sprocket	4	-,-	1	25
819	1 609 B05 021	Carrier	3	-,-	1	45
824	1 609 B05 009	Clamp	2	-,-	1	29
824/232	1 609 B00 523	Rubber Pad	2	-,-	1	13
825	1 609 B05 018	Dust Extraction	3	-,-	1	24
829	1 609 B05 011	Switch Handle	4	-,-	1	28
831	1 609 B05 022	Base Unit	1	-,-	1	51
835	1 609 B05 023	Extension Stand	1	-,-	1	36
836	1 609 B05 024	Extension Stand	1	-,-	1	36
837	1 609 B05 029	Lower guard	5	-,-	1	37
846	1 609 B05 028	Plate	2	-,-	1	22
856	1 609 B05 010	Dust Bag	3	-,-	1	19
882	1 609 B05 026	Protective Cover	4	-,-	1	33

NO Lubrication instructions available for this product

Product information Slide Mitre Saw - 3 601 M23 210 - CM12SD

Product No	3 601 M23 210
Description	266.914; Slide Mitre Saw
DIN-Text	
ID_Text_Ext	0
Trading_Description	CM12SD
Voltage_1	110 V
ID_Country_Product	USA

Illustration - Type E

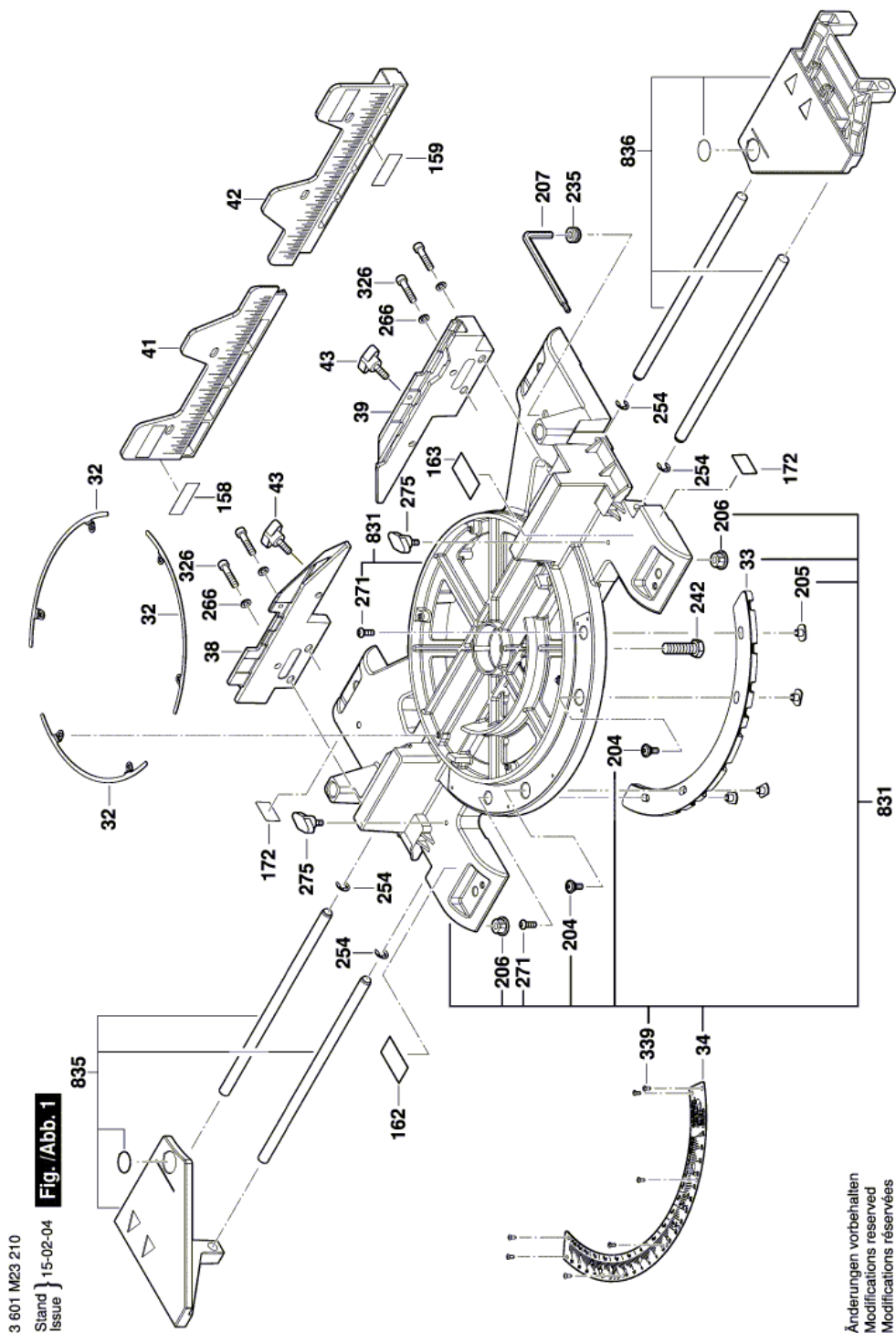


Illustration - Type E

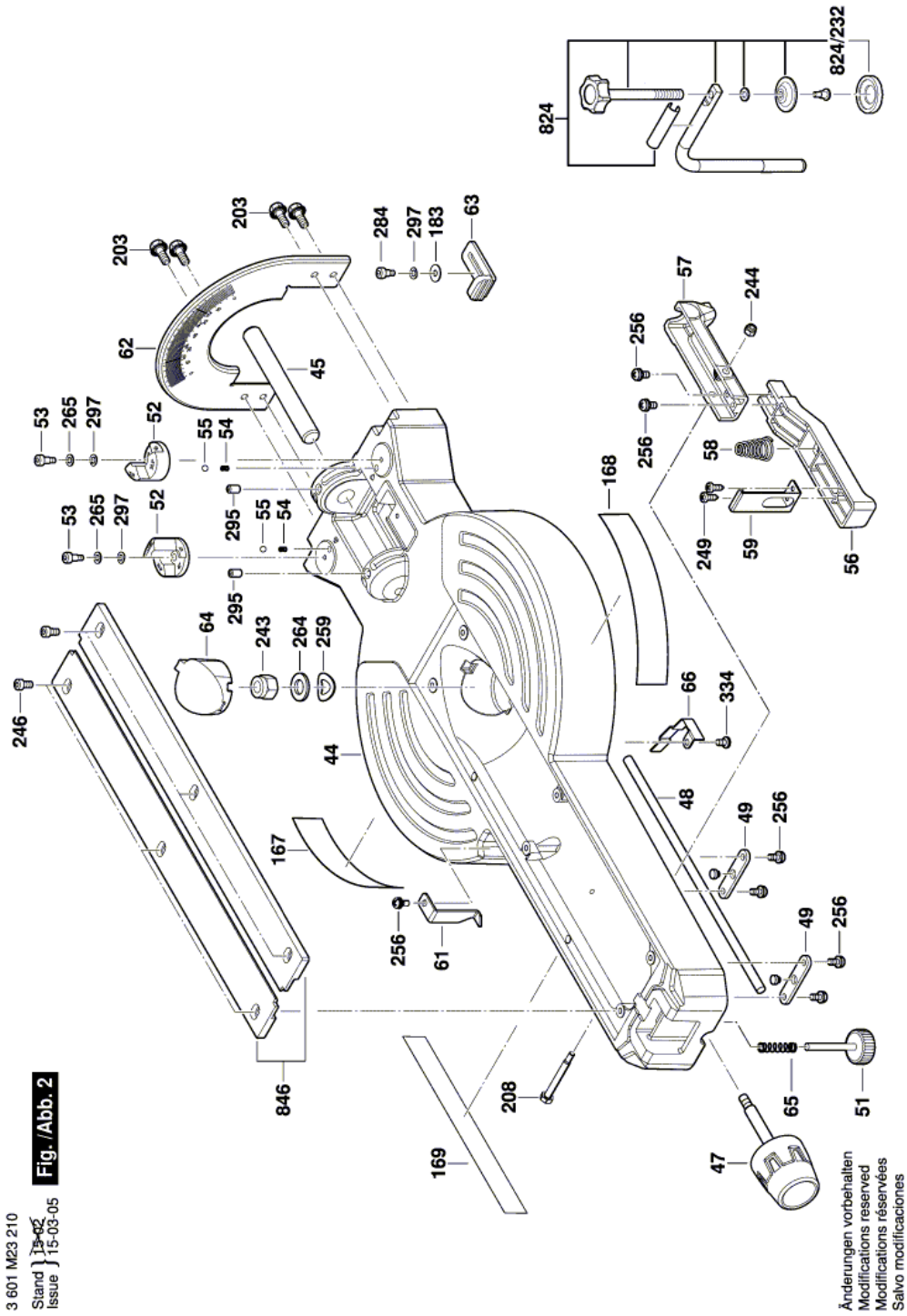
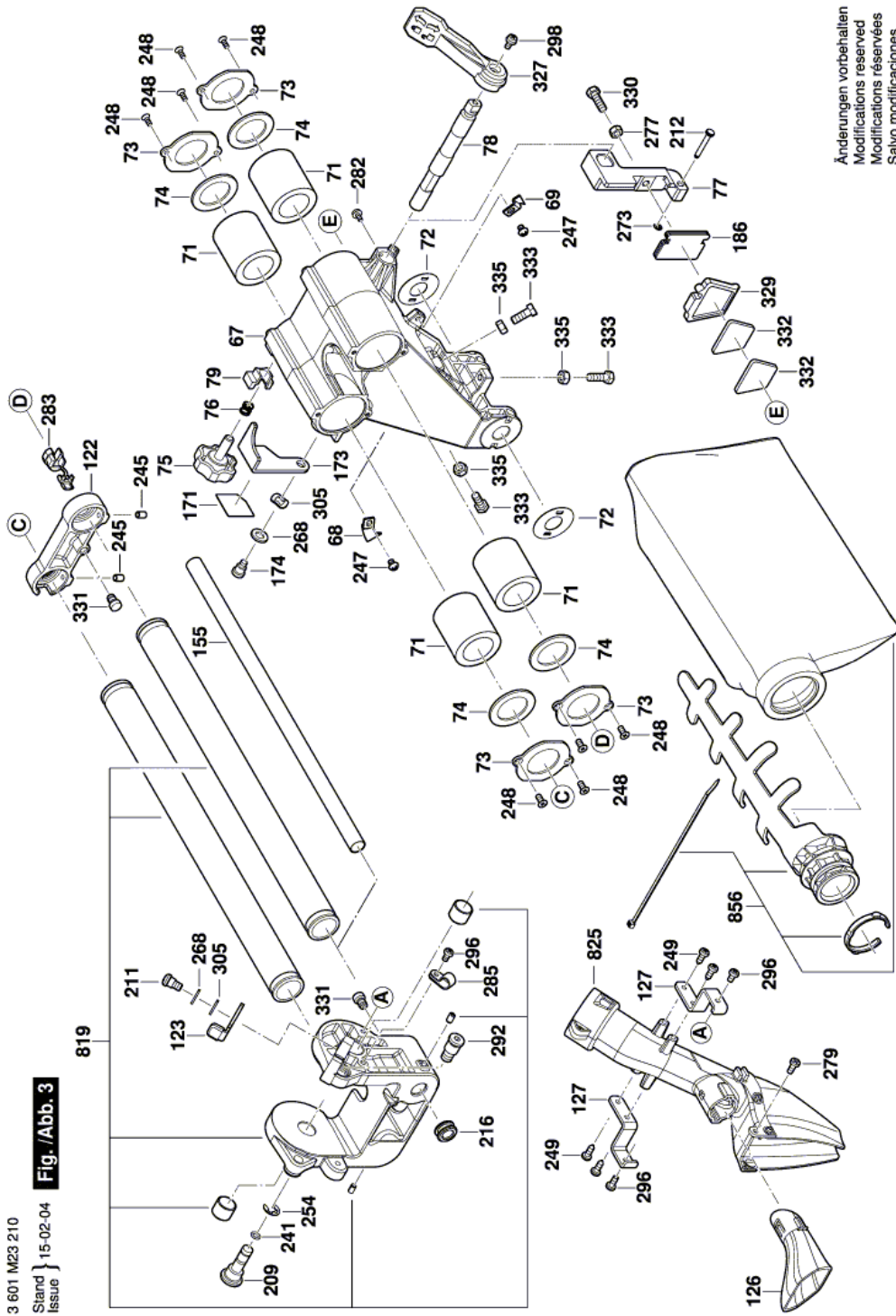


Illustration - Type E



3 601 M23 210
Stand } 15-02-04
Issue } **Fig./Abb. 3**

Änderungen vorbehalten
Modifications reserved
Modificacions reservées
Salvo modificaciones

Illustration - Type E

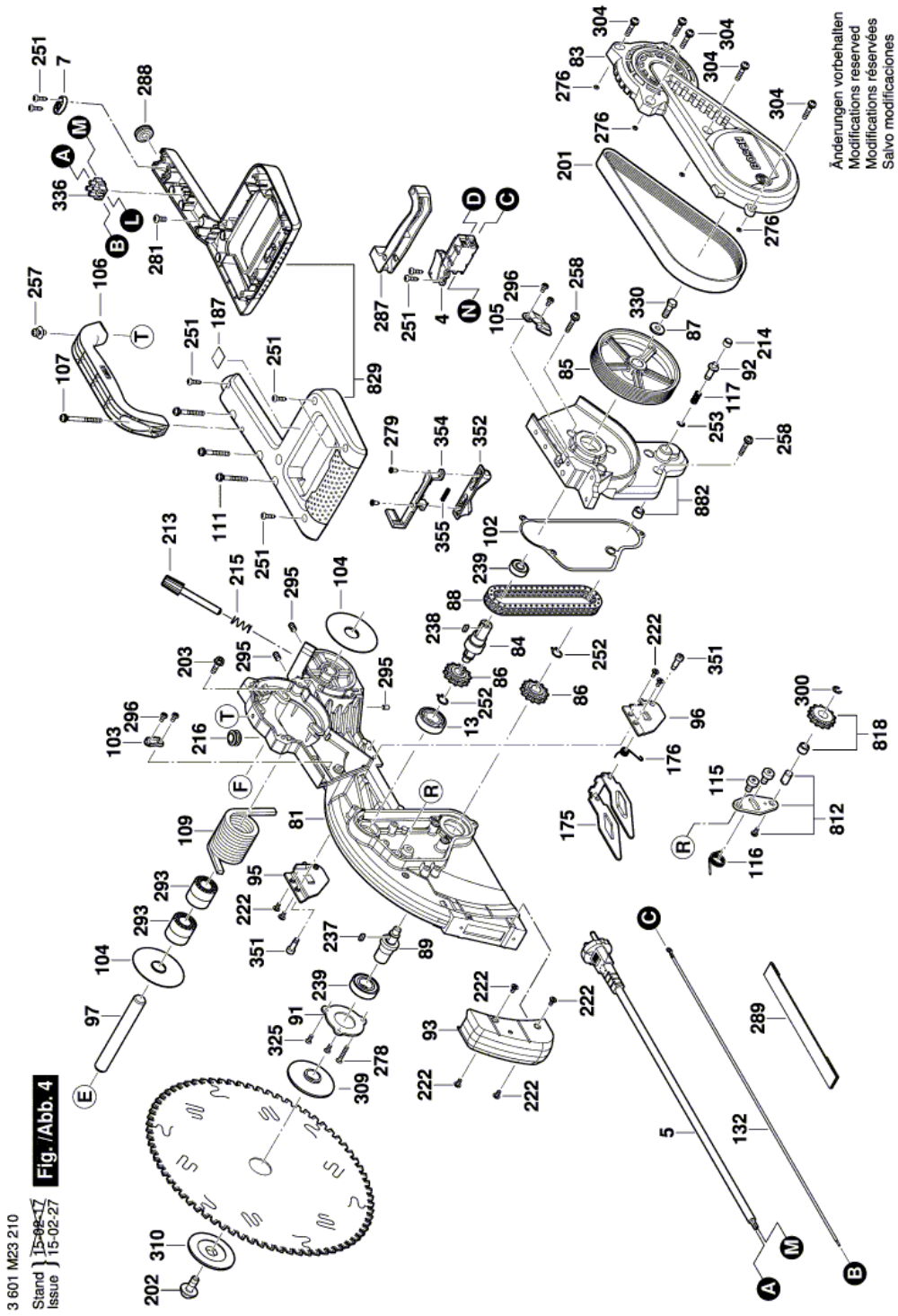


Illustration - Type E

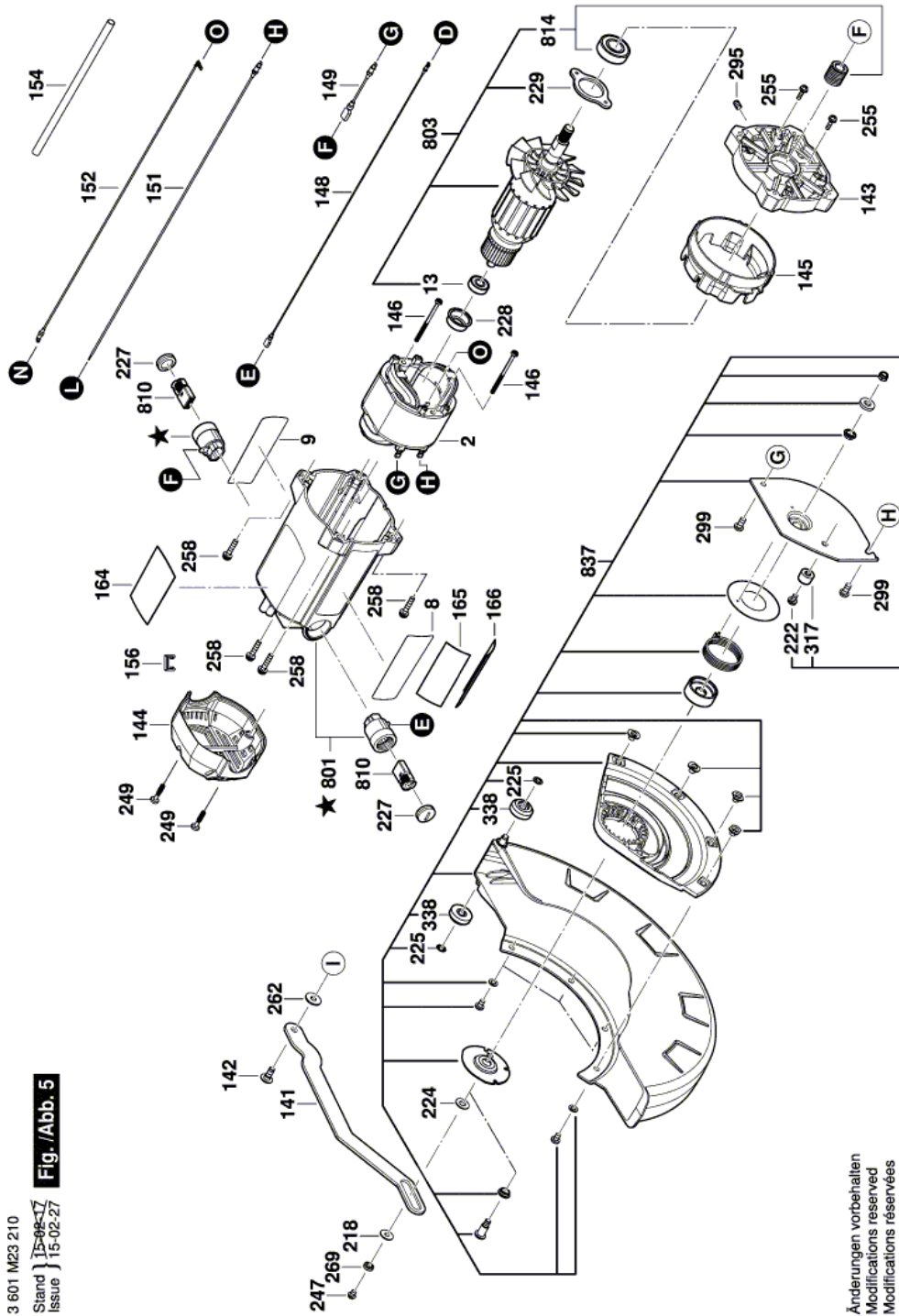
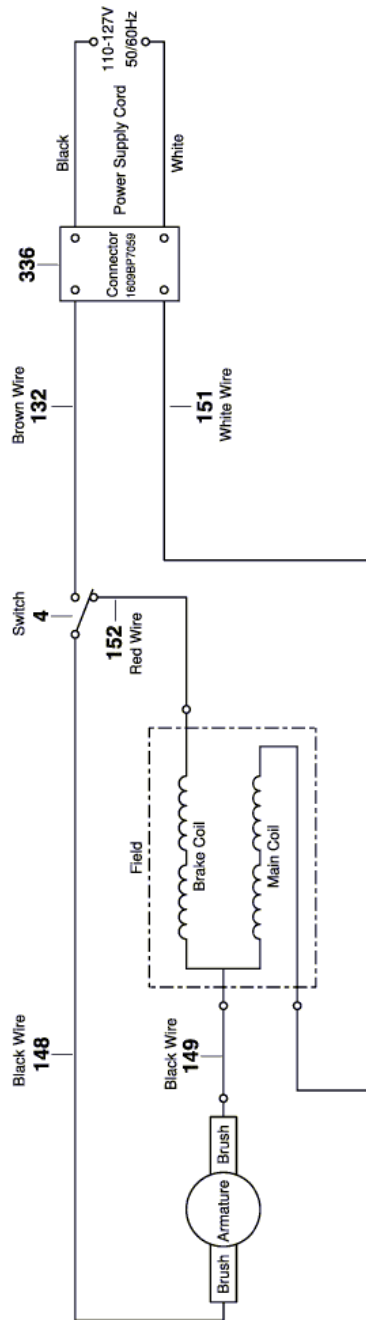


Illustration - Type E

3 601 M23 210
 Stand } ~~13-02-04~~
 Issue } 15-02-12
Fig./Abb. 6



Änderungen vorbehalten
 Modifications reserved
 Modifications réservées
 Salvo modificaciones

Information subject to change without further notice.