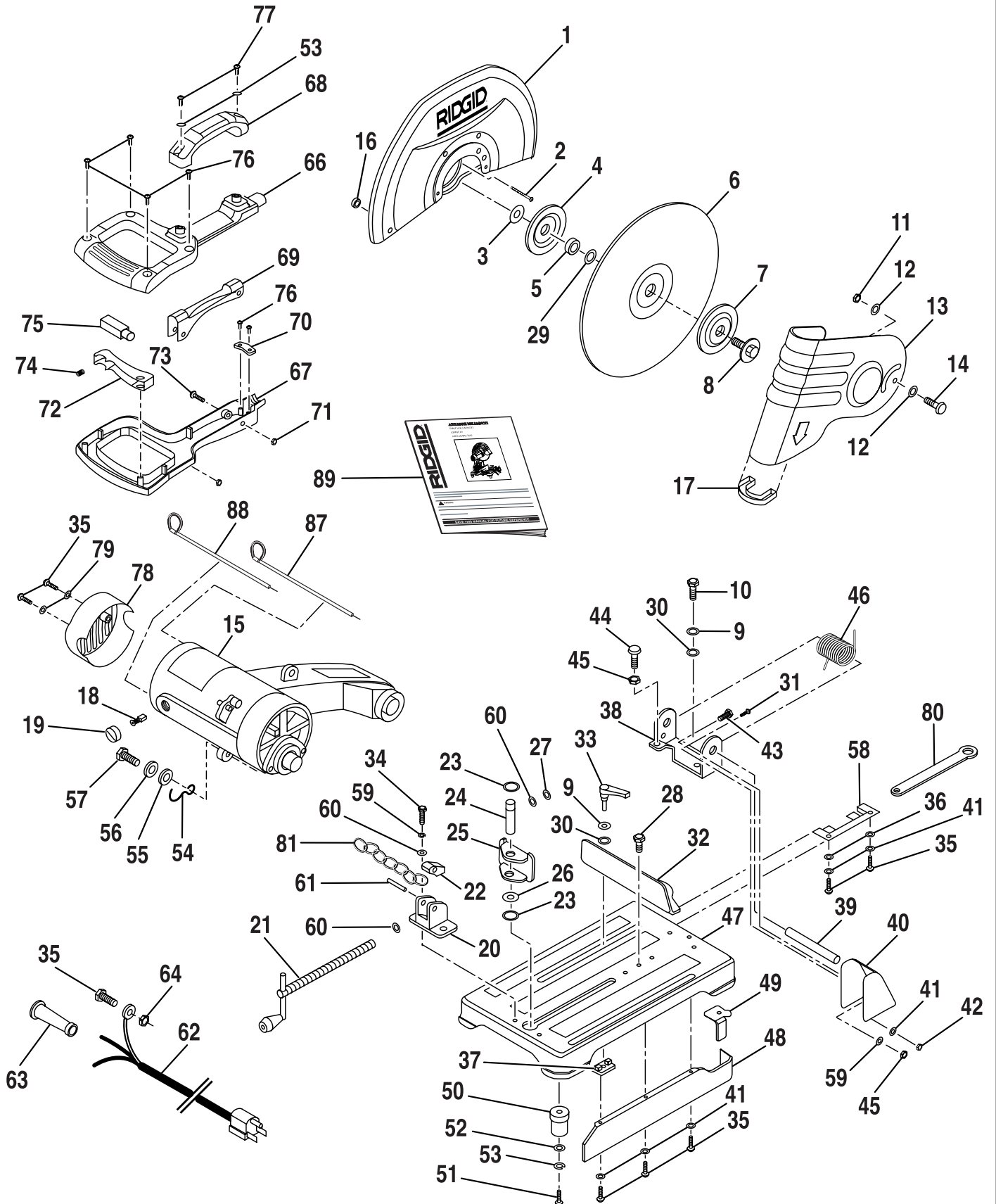


**RIDGID 14 in. (356 mm) HIGH SPEED ABRASIVE CUT-OFF MACHINE
MODEL NUMBER CM1450**



**RIDGID 14 in. (356 mm) HIGH SPEED ABRASIVE CUT-OFF MACHINE
MODEL NUMBER CM1450**

The model number will be found on a plate attached to the motor housing. Always mention the model number in all correspondence regarding your **CUT-OFF MACHINE** or when ordering repair parts.

PARTS LIST

KEY NO.	PART NUMBER	DESCRIPTION	QTY.
1	829518	UPPER GUARD.....	1
2	10251002	* SCREW (M5 X 0.8 X 60 mm) PAN HD.....	4
3	A0338	SPACER.....	1
4	A0339	FLANGE INNER.....	1
5	A0340	OUTER SPACER.....	1
6	21010001	WHEEL ABRASIVE.....	1
7	A0341	FLANGE OUTER.....	2
8	829551	* SCREW, ARBOR.....	1
9	12021002	* LOCKWASHER (M10).....	4
10	10011003	* HEX HD SCREW (M10 X 1.5 X 25 mm).....	3
11	11071001	* NUT LOCK (M6 X 1 mm).....	2
12	829524	WASHER FIBER.....	4
13	829525	GUARD LOWER.....	1
14	829526	BOLT SHOULDER.....	2
15	829731	MOTOR ASSEMBLY..... (INCLUDES KEY NO. 18, 19, 35, 78, 79)	1
16	829528	PAD GUARD.....	2
17	829557	PROTECTOR.....	1
18	A0351	BRUSH.....	2
19	A0352	BRUSH CAP.....	2
20	J0099	SUPPORT.....	1
21	20332	SCREW W/HANDLE.....	1
22	A0385	NUT THREAD.....	1
23	20333	RING RETAINING.....	2
24	A0356	PIN.....	1
25	A0357	JAW VISE.....	1
26	12011006	WASHER FLAT (M16.5).....	1
27	20335	E-RING.....	1
28	829536	SCREW, VISE PIVOT (M10 X 1.5-20).....	1
29	829553	O-RING.....	1
30	12011009	* WASHER, FLAT (M10).....	3
31	816755-2	* SCREW PAN HD. (M5 X 0.18 X 15 mm).....	1
32	829537	FENCE PIVOT PLATE.....	1
33	829538	HANDLE ASSEMBLY.....	1
34	813310-1	* SCREW HEX HD. (M8 X 25 X 1.25 mm).....	2
35	813313	* SCREW PAN (M5 X 0.8-12 mm).....	8
36	820237-6	* WASHER FLAT (M5 X 11.5).....	2
37	829542	NUT TEE.....	1
38	829543	SUPPORT.....	1
39	A0359	SHAFT.....	1
40	A0604	COVER.....	1
41	820383-4	* LOCKWASHER (M5).....	6
42	11012001	NUT HEX (M5).....	1

* STANDARD HARDWARE ITEM - MAY BE PURCHASED LOCALLY

**RIDGID 14 in. (356 mm) HIGH SPEED ABRASIVE CUT-OFF MACHINE
MODEL NUMBER CM1450**

The model number will be found on a plate attached to the motor housing. Always mention the model number in all correspondence regarding your **CUT-OFF MACHINE** or when ordering repair parts.

PARTS LIST

KEY NO.	PART NUMBER	DESCRIPTION	QTY.
43	820239-5	* SCREW SOC HD. (M8 X 1.25-15).....	2
44	10011006	* SCREW HEX HD. (M8 X 30 mm).....	1
45	824026-7	* NUT, HEX (M8 X 1.25).....	2
46	A0345	SPRING.....	1
47	829547	BASE.....	1
48	829548	GUARD BLADE.....	1
49	829549	PAD SUPPORT.....	1
50	A0361	FOOT.....	3
51	820244-1	* SCREW PAN HD. (M6 X 25 X 1.0).....	4
52	820238-4	* WASHER, FLAT (M6).....	4
53	820383-5	* LOCK WASHER (M6).....	6
54	A0386	HOOK, CHAIN.....	1
55	14759	* WASHER (1/4 in.).....	1
56	12021702	* LOCKWASHER (1/4 in.).....	1
57	809491-1	* SCREW, PAN HD. (1/4-20 X 1/2 in.).....	1
58	829555	HOLDER TOOL.....	1
59	820383-6	* WASHER, LOCK (M8).....	4
60	821063-1	* WASHER, FLAT (M8 X 16 X 0.5).....	4
61	14011006	* SPRING PIN (M6 X 32).....	1
62	A0355	POWER CORD.....	1
63	A0354	CORD GUARD.....	1
64	820241-4	* WASHER, LOCK (M5).....	1
65	9502055333701	WARNING LABEL (NOT SHOWN).....	1
66	829562	HANDLE, UPPER.....	1
67	829563	HANDLE, LOWER.....	1
68	828720	HANDLE, CARRY.....	1
69	829564	HANGER, HANDLE.....	1
70	20324	CLAMP, CORD.....	1
71	824026-5	* NUT HEX (M5).....	2
72	828717	ACTUATOR SWITCH.....	1
73	820240-9	* SCREW, PAN HD. (M5 X 0.8-37).....	2
74	826053	SPRING.....	1
75	826066	SWITCH.....	1
76	820248-3	* SCREW PAN HD. (M4 X 1.4-16).....	6
77	820244-7	* SCREW PAN HD. (M5 X 1-55).....	2
78	829566	COVER END.....	1
79	12021005	* LOCKWASHER (M5).....	2
80	829556	WRENCH.....	1
81	0502025001	CHAIN.....	1
82	9502055330202	LOCK WARNING LABEL (NOT SHOWN).....	1
83	9502055330201	WARNING LABEL (NOT SHOWN).....	1
84	9502055333401	DATA PLATE LABEL (NOT SHOWN).....	1
85	9502055330203	WARNING CARD (NOT SHOWN).....	1
86	9502055333101	WARNING LABEL (NOT SHOWN).....	1
87	0502021101	LEAD.....	1
88	0502021104	YELLOW LEAD.....	1
89	983000-392	OPERATOR'S MANUAL	
	983000-392R	REPAIR SHEET (REV:00)	
	10-06-04		

* STANDARD HARDWARE ITEM – MAY BE PURCHASED LOCALLY