



**BOSCH**

# Slide Mitre Saw

CM8S | 3 601 M19 111

---

## Table of Content

Spare parts list.....	2
Illustration - Type.....	8

**Spare parts list**

Item	Part Number	Description	Illustration
1	1 609 B04 181	Motor Housing BLUE	1
13	1 609 B04 083	Ball Bearing	1
14	1 619 P06 374	Bearing Cover Plate	1
16	1 619 P06 212	Brush Holder	1
22	1 609 B04 117	Screw	1
24	1 609 B04 008	End cap	1
25	1 609 B00 921	Special Screw	1
27	1 609 B05 346	Right Angle Plug	1
28	1 619 P01 642	Compression Spring	1
29	1 609 B04 070	Cap	1
30	1 609 B04 071	Sealing washer	1
31	1 609 B04 072	Rubber Ring	1
32	1 609 B04 073	Guide Bracket	1
33	1 609 B04 074	Lock Nut	1
34	1 609 B04 075	Baffle	1
35	1 609 B04 200	Cover	1
37	1 609 B04 208	Screw	1
38	1 609 B00 799	Bushing	1
39	1 609 B05 329	Clip	1
49	1 609 B04 015	Arm	1
97	1 609 B04 086	Screw	1
161	1 609 B04 246	Cover Plate	1
167	1 609 B01 602	Wear Plate	1
168	1 609 B04 188	Lower guard	1
169	1 609 B04 001	Linkage	1
170	1 609 B04 002	Cover	1
171	1 609 B04 004	Spring	1
172	1 609 BP7 145	Screw	1
174	1 609 B04 235	Ball Bearing	1
179	1 609 BP7 134	Tapping Screw	1
180	1 609 B04 248	Seal	1
182	1 609 B04 205	Set screw	1
184	1 609 BT4 033	Nut	1
185	1 609 BP7 068	Spring retaining ring	1
186	1 609 BP7 050	Washer	1

## Spare parts list

Item	Part Number	Description	Illustration
189	1 600 200 029	Plain bearing	1
190	1 609 B05 234	Deflector	1
191	1 609 B05 235	Deflector	1
192	1 609 B04 201	Clamping Flange	1
193	1 609 B06 290	Clamping Flange	1
194	1 609 B05 364	Flange Bolt	1
195	1 609 B04 020	Wheel	1
196	1 609 B00 458	Quick-Lock	1
215	1 609 B01 561	Screw	1
225	1 609 B04 077	Cover	1
230	1 609 B04 192	Warning Label	1
231	1 609 B04 193	Warning Label	1
236	1 609 B04 220	Rubber Strip	1
247	1 609 B04 228	O-Ring	1
802	1 609 B05 347	Field assembly 110-115V	1
803	1 609 B05 207	Armature assembly 110-115V	1
808	1 609 BN0 270	Nameplate	1
810	1 609 B06 661	Carbon-Brush Set	1
850	1 609 B05 349	Gear cover	1
855	1 609 B05 256	Output Shaft	1
882	1 609 B05 331	Connecting Wire	1
4	1 609 B04 011	On-Off Switch	2
5	1 609 B05 255	Power supply cord	2
6	1 609 B01 533	Cord guard	2
7	1 619 P03 808	Cable Clip	2
19	1 609 B02 357	Screw ECO-SYN St 3,5x16	2
36	1 609 B04 202	Cover	2
52	1 609 B04 090	Switch Handle	2
53	1 609 B04 106	Junction Box	2
175	1 609 B04 010	Tapping Screw	2
178	1 609 B00 974	Lock Nut	2
200	1 609 B00 637	Tapping Screw	2
201	1 609 B00 973	Screw	2
240	1 609 BP7 059	Connection Block	2
248	1 609 B01 538	Cable Tape	2

## Spare parts list

Item	Part Number	Description	Illustration
884	1 609 B04 237	Connecting Wire	2
885	1 609 B05 253	Connecting Wire	2
62	1 609 B00 717	Pointer	3
73	1 609 B00 670	Washer	3
74	1 609 B00 704	Lock Nut	3
84	1 609 B03 717	Support Plate	3
85	1 609 B03 718	Dust Tray	3
86	1 609 B04 080	Rod	3
87	1 609 B04 079	Knob	3
89	1 609 B03 721	Compression Spring	3
93	1 609 BP7 341	Contact strap	3
94	1 609 B03 727	Supporting foot	3
95	1 609 B03 729	Wear Plate	3
96	1 609 B04 108	Pivot Shaft	3
98	1 609 B03 723	Screw	3
99	1 609 B01 324	Plain Washer	3
100	1 609 B01 949	Nut	3
101	1 609 B01 462	Shoulder Screw	3
102	1 609 B01 463	Shoulder Screw	3
103	1 609 B01 464	Sliding Block	3
104	1 609 B01 479	Compression Spring	3
105	1 609 BP7 143	Set screw	3
107	1 609 B03 760	Detent	3
110	1 609 B03 737	Detent	3
111	1 609 B01 668	Washer	3
112	1 609 B00 675	Washer	3
125	1 609 B03 772	Scale Plate	3
145	1 609 B00 660	Spring Washer	3
202	1 609 B00 627	Screw	3
232	1 609 B04 194	Warning Label	3
233	1 609 B04 195	Warning Label	3
235	1 609 B05 247	Warning Label	3
239	1 609 B05 246	Warning Label	3
262	1 609 B04 744	Shoulder Screw	3
846	1 609 B05 339	Table	3

# Slide Mitre Saw | CM8S | 3 601 M19 111

Spare parts list			
Item	Part Number	Description	Illustration
890	1 609 B05 340	Lever	3
43	1 609 B01 892	Mitre Fence	4
44	1 609 B04 182	Mitre Fence	4
45	1 609 B04 185	Mitre Fence	4
56	1 609 B00 708	Warning Plate	4
57	1 609 B03 704	Detent plate	4
59	1 609 B05 382	Knurled Screw	4
60	1 609 B03 711	Screw	4
63	1 609 B03 714	Wear Plate	4
65	1 609 B00 232	Locking Lever	4
66	1 609 B00 233	Locking Lever	4
67	1 609 B00 236	Shoulder Screw	4
68	1 609 B00 237	Compression Spring	4
69	1 609 B00 238	Shoulder Screw	4
70	1 609 B01 435	Lock Screw	4
71	1 609 B01 436	Lock Screw	4
72	1 609 B05 203	Bolt	4
75	1 609 B04 067	Special Screw	4
76	1 609 B04 069	Special Nut	4
77	1 609 B00 705	Rubber Bushing	4
78	1 609 B03 722	Screw	4
79	1 609 B00 669	Washer	4
80	1 609 BP7 098	Rubber Ring	4
81	1 609 BP7 026	Hexagon Socket Screw Key	4
83	1 609 B01 992	End Clip	4
157	1 609 B05 232	Clamping Holder	4
159	1 609 B05 236	Clamping Bar	4
160	1 609 B05 268	Screw	4
216	1 609 B05 265	Screw	4
241	1 609 B04 230	Warning Label	4
242	1 609 B05 248	Warning Label	4
245	1 609 B04 225	Plain Washer	4
263	1 609 B05 115	Cable	4
264	1 609 B00 780	Screw	4
265	1 609 B04 184	Mitre Fence	4

# Slide Mitre Saw | CM8S | 3 601 M19 111

## Spare parts list

Item	Part Number	Description	Illustration
652	1 609 B04 224	Clamp	4
840	1 609 B03 744	Assembly Base	4
841	1 609 B04 128	Feed Table	4
842	1 609 B05 388	Feed Table	4
891	1 609 B02 365	Stop Plate	4
892	1 609 B00 263	Screw	4
893	1 609 B00 678	Screw	4
51	1 609 B03 746	End cap	5
114	1 609 B03 739	Stop Plate	5
122	1 609 B03 749	Hex Socket Head Cap Screw	5
133	1 609 B03 771	Pivot Pin	5
134	1 609 B03 779	Shoulder Screw	5
136	1 609 B03 767	Detent Pin	5
137	1 609 B03 757	Clip	5
138	1 609 B00 601	O-Ring	5
140	1 609 B03 745	Handle Plate	5
141	1 609 B03 747	Carrying Handle	5
142	1 609 B03 768	Tapping Screw	5
143	1 609 B03 753	Slide Stop	5
144	1 609 B03 752	Special Nut	5
147	1 609 B03 795	Shoulder Screw	5
148	1 609 B00 382	Knob RED	5
149	1 609 B00 417	Compression Spring	5
152	1 609 B03 775	Dust Extraction	5
153	1 609 B03 777	Set screw	5
154	1 609 B04 204	Support bracket	5
155	1 609 B01 512	Cable Clip	5
156	1 609 B00 339	Cable Clip	5
162	1 609 B00 623	Screw	5
163	1 609 B01 168	Thread-Forming Screw	5
234	1 609 B03 791	rubber lip	5
238	1 609 B04 222	Rubber Strip	5
243	1 609 B00 633	Screw	5
244	1 609 B00 691	Nut	5
246	1 609 B05 201	Shoulder Screw	5

## Spare parts list

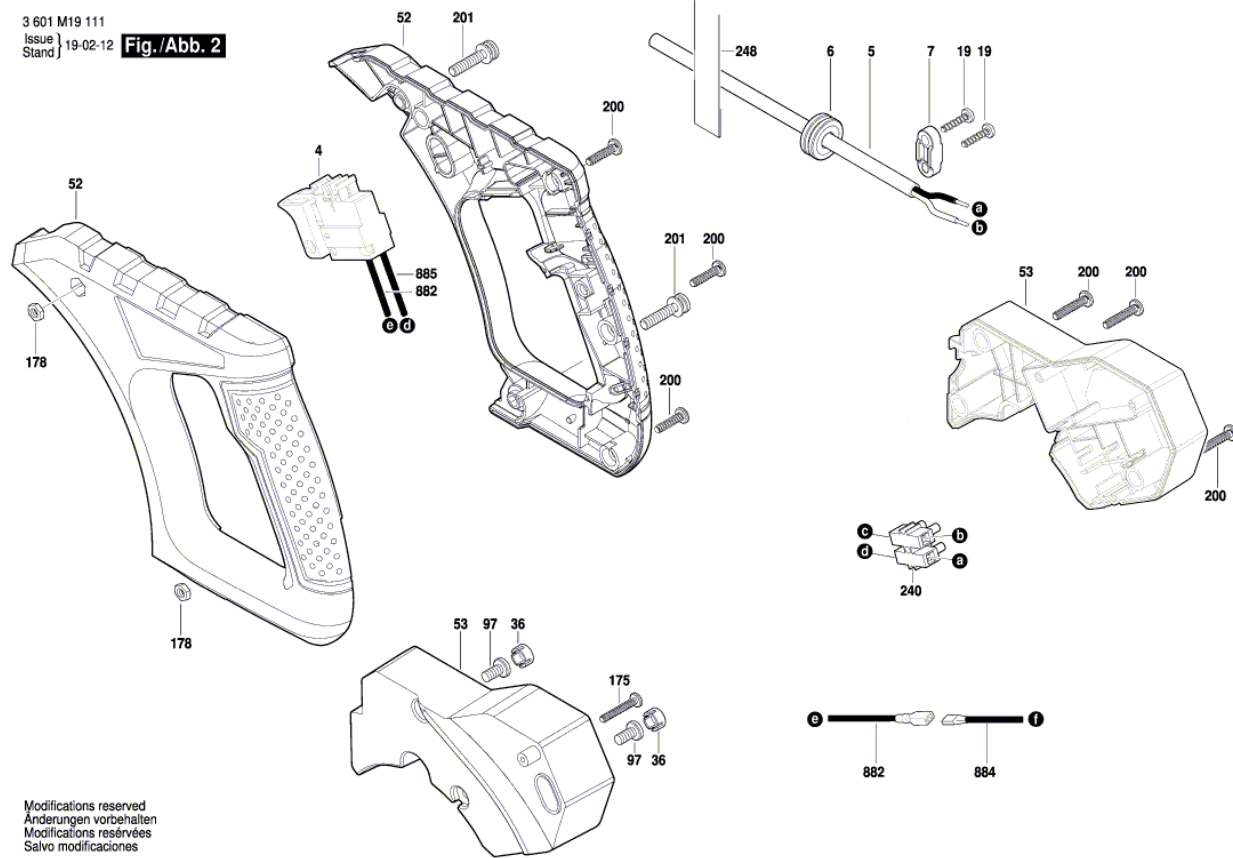
Item	Part Number	Description	Illustration
653	1 609 B00 840	Dust Bag	5
848	1 609 B03 788	Yoke	5
866	1 609 B04 124	Torsion Spring	5
106	1 609 B01 388	Screw	6
108	1 609 B03 733	Control Lever	6
109	1 609 B03 734	Shaft	6
113	1 609 B03 738	Locking element	6
115	1 609 B05 370	Leaf Spring	6
116	1 609 B03 741	Lock Plate	6
117	1 609 B03 742	Adjusting bolt	6
118	1 609 B04 134	Wear Plate	6
119	1 609 B03 758	Pointer	6
123	1 609 BP7 343	Contact strap	6
124	1 609 B03 755	Knob	6
126	1 609 B03 763	Felt Washer	6
127	1 609 B03 770	Friction Plate	6
128	1 609 B00 370	Shaft	6
129	1 609 B00 690	Retaining ring	6
130	1 609 B03 773	Friction Plate	6
131	1 609 B01 041	Hex Nut	6
132	1 609 B03 776	Stop bolt	6
150	1 609 B03 765	Retaining Plate	6
151	1 609 B03 766	Retaining Plate	6
164	1 609 B01 690	Screw	6
187	1 609 B03 774	Ball Bearing	6
188	1 609 B03 780	Spacer	6
252	1 609 B05 298	Cover	6
261	1 609 B01 665	Screw	6
847	1 609 B04 123	Pivot	6





Illustration - Type - E

3 601 M19 111  
 Issue  
 Stand | 19-02-12 **Fig./Abb. 2**



Modifications reserved  
 Änderungen vorbehalten  
 Modifications réservées  
 Salvo modificaciones

Illustration - Type - E

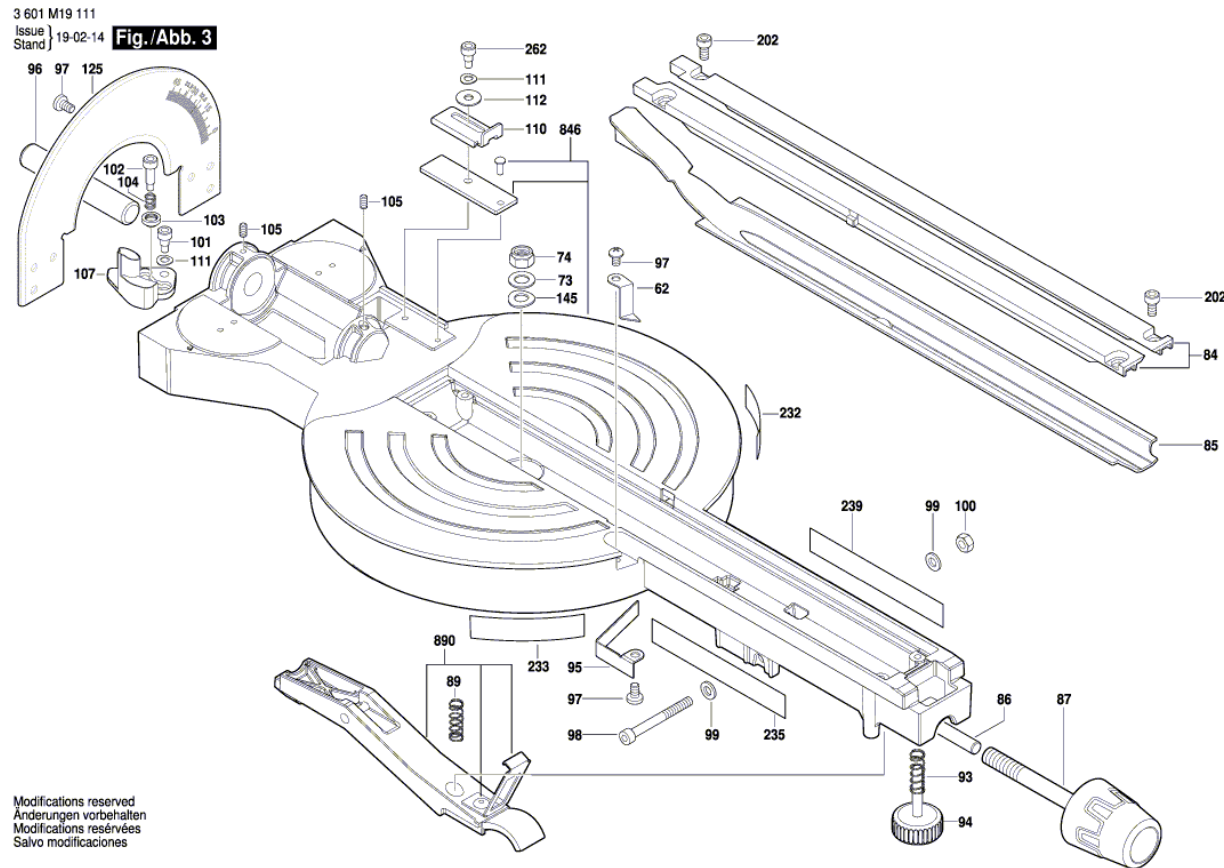


Illustration - Type - E

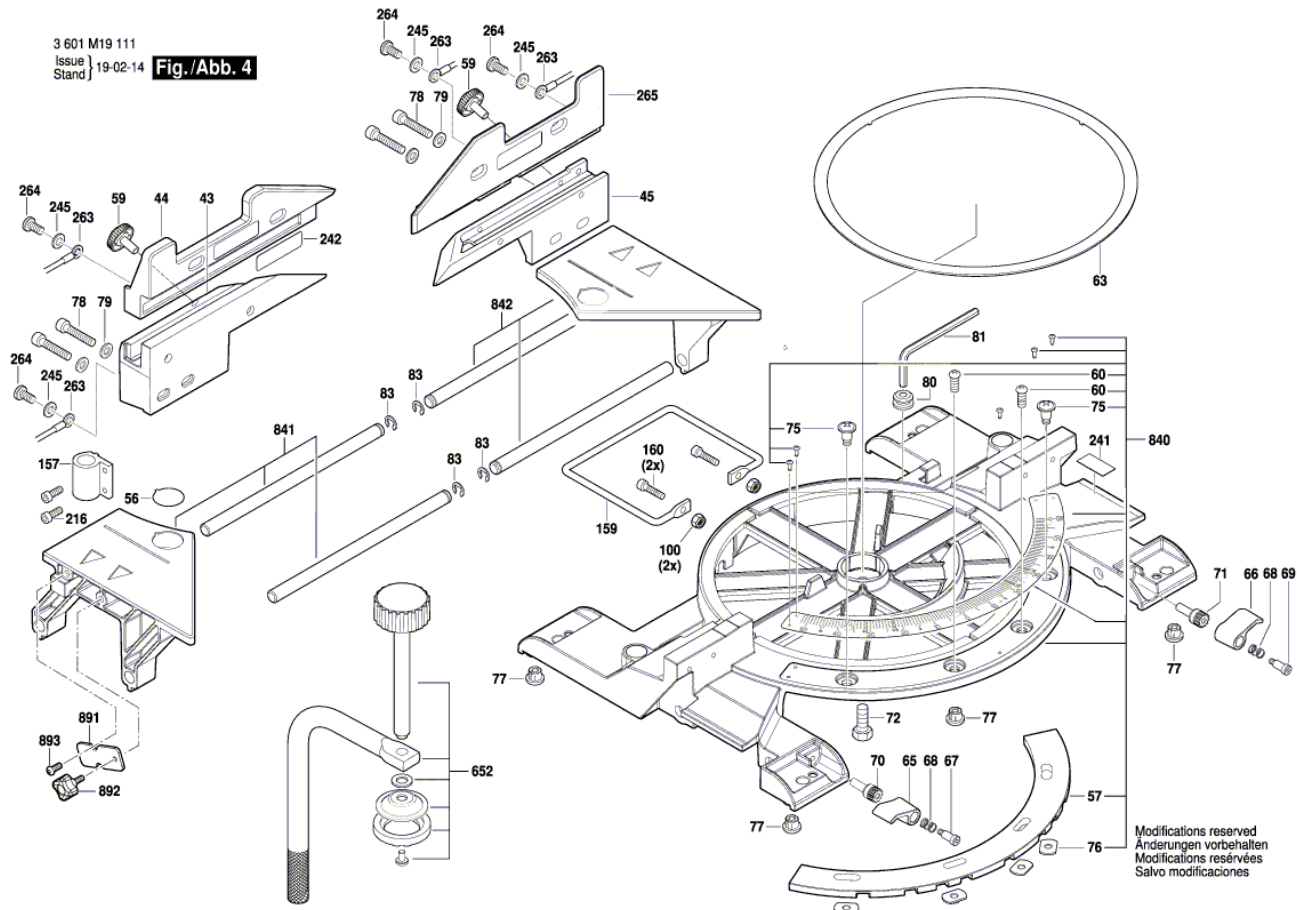


Illustration - Type - E

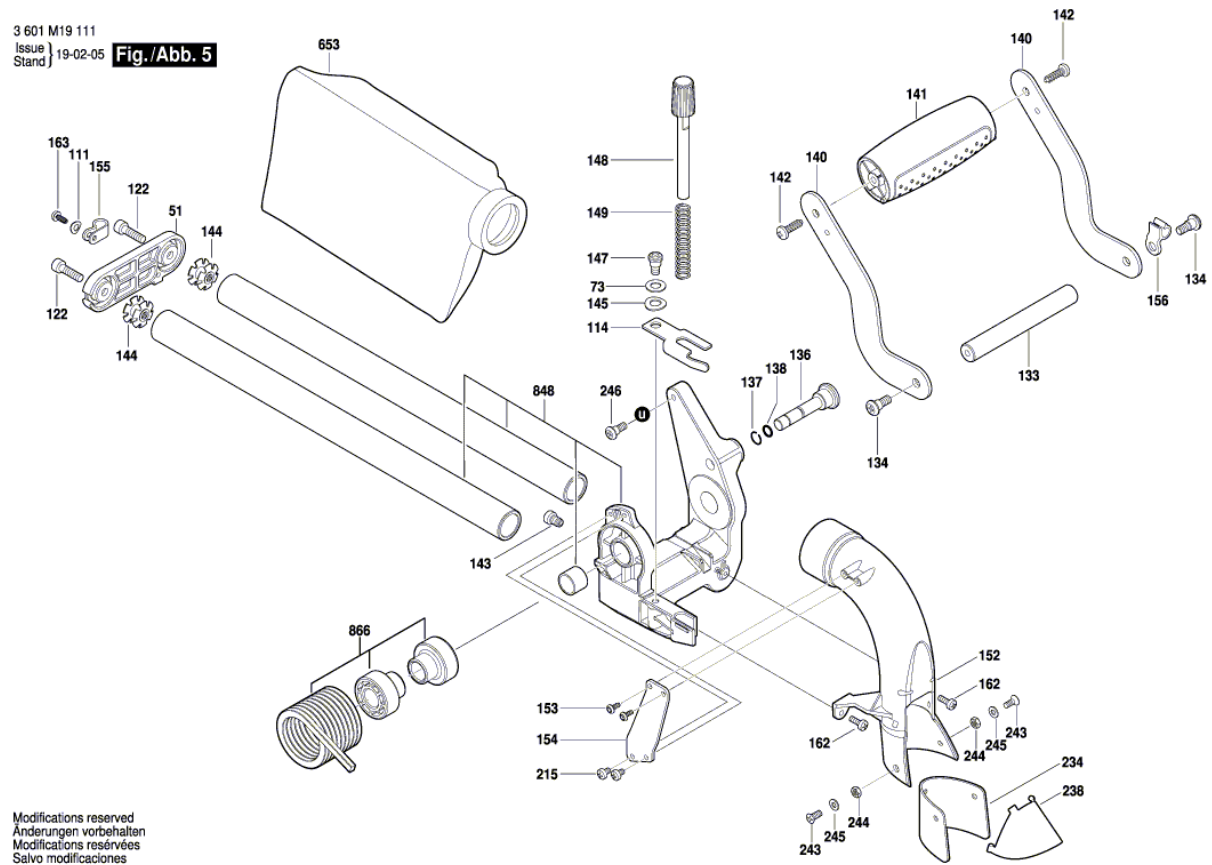
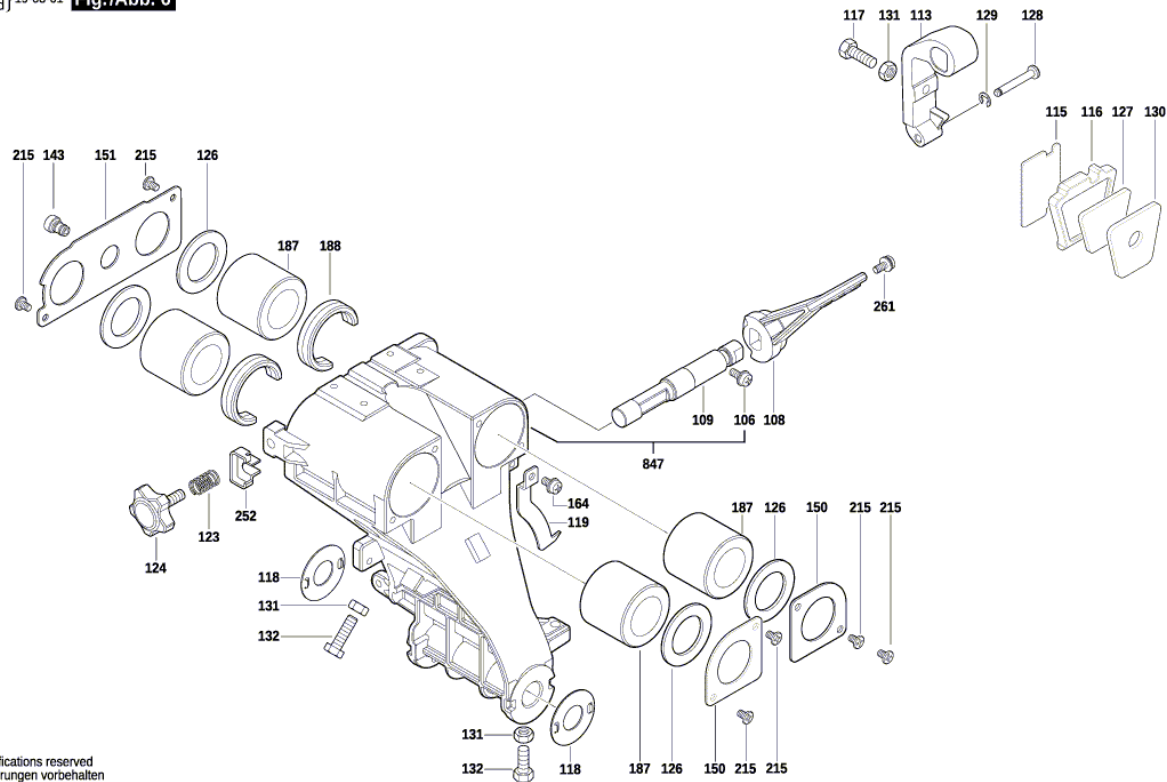


Illustration - Type - E

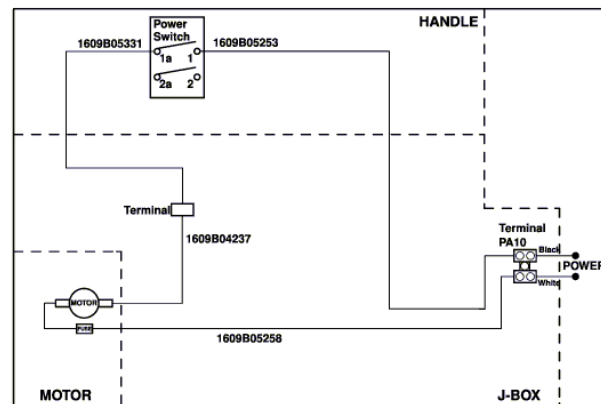
3 601 M19 111  
 Issue | 19-03-01  
 Stand | **Fig./Abb. 6**



Modifications reserved  
 Änderungen vorbehalten  
 Modifications réservées  
 Salvo modificaciones

Illustration - Type - E

3 601 M19 111  
Issue  
Stand | 19-03-01 **Fig./Abb. 7**



Modifications reserved  
Änderungen vorbehalten  
Modifications réservées  
Salvo modificaciones