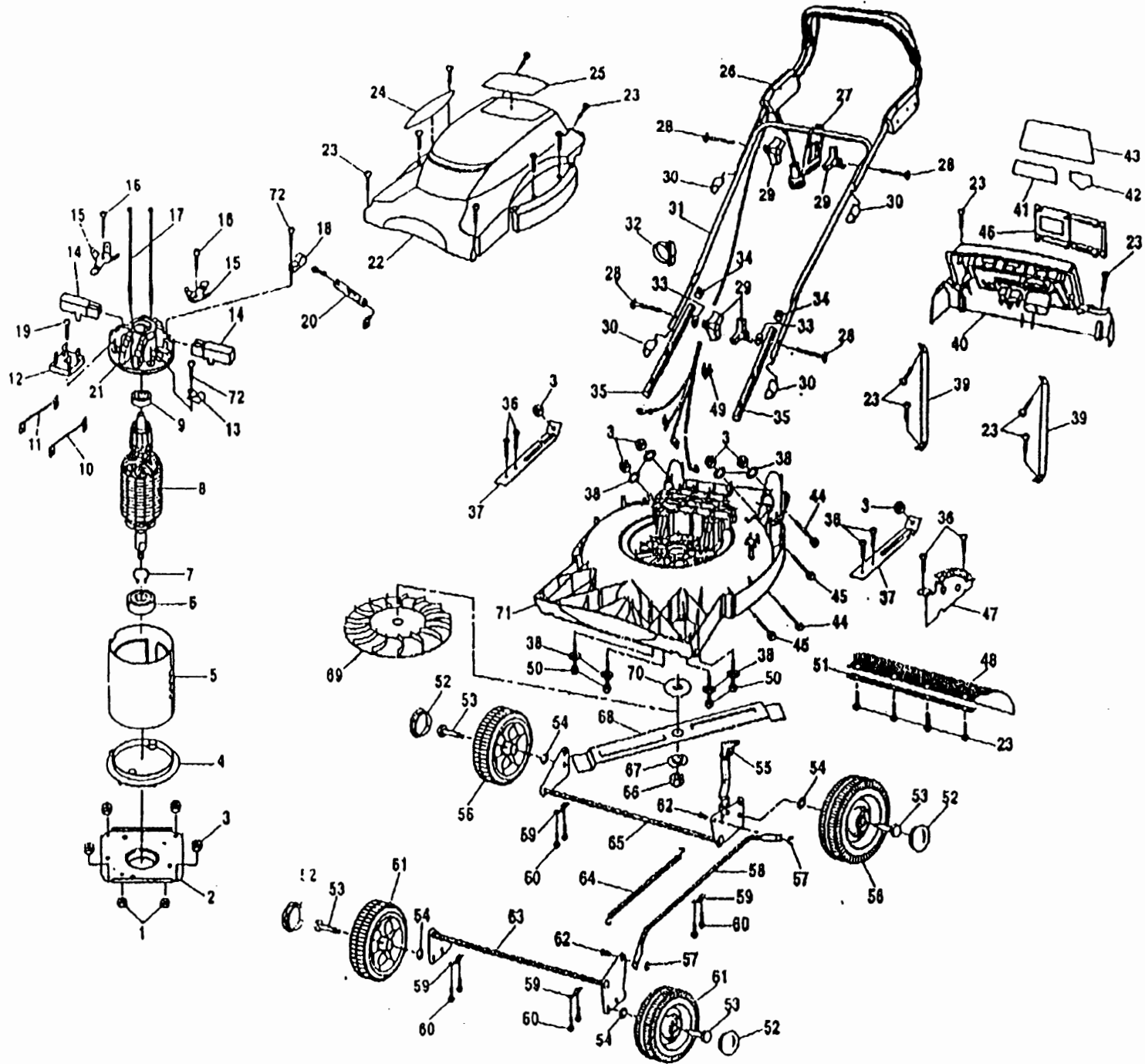


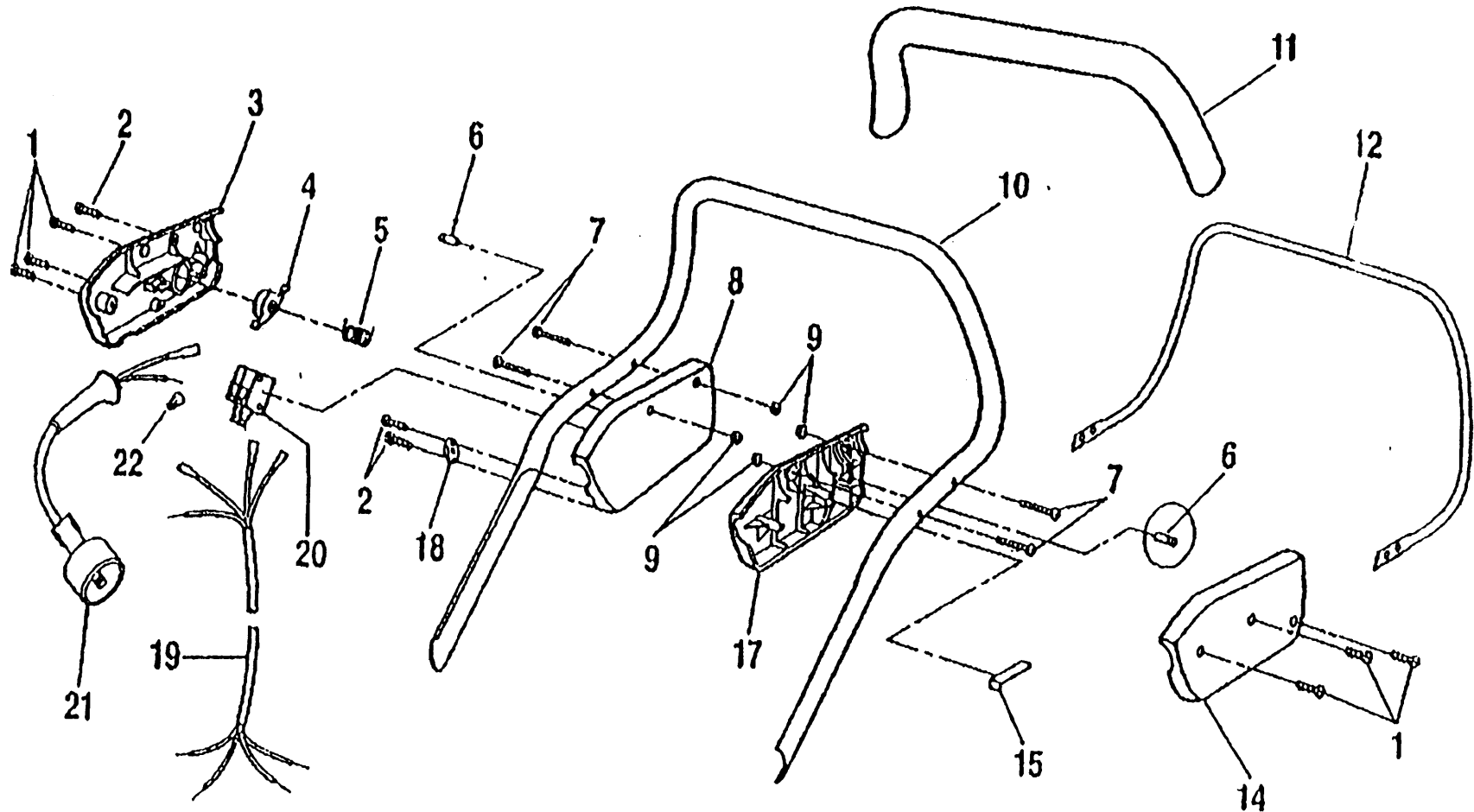
PARTS LIST- CMM1200



PARTS LIST- CMM1200

<u>Item</u>	<u>Part No.</u>	<u>Description</u>	<u>Item</u>	<u>Part No.</u>	<u>Description</u>
1	180570	Hex Lock Nut (#10-32)	40	180622	Panel
2	180571	End Cap (bottom)	41	180670	Data Plate
3	180582	Hex Nut (#1/4-20)	42	180626	Danger Label
4	180572	Insulator	43	180671	Panel Label
5	180573	Field	44	180576	Bolt (#1/4-20 X 2" hex head)
6	180655	Ball Bearing (NTN #6203LLU/1E)	45	180577	Bolt (#1/4-20 X 1-5/8" hex head)
7	180654	Retaining Ring	46	180627	Holder
8A	180698	Armature (includes items 6, 7 and 9)	47	180585	Height Adjustment Bracket
8B	180956	Armature (includes items 6, 7 and 9)	48	180606	Rear Deflector
9	180653	Ball Bearing (NTN #6001ZZC3/1E)	49	180643	Strain Relief
10	180675	Black Lead	50	180641	Bolt (#1/4-20 X 5/8" hex head)
11	180676	Red Lead	51	180597	Deflector Retainer
12	180677	Rectifier	52	180610	Hub Cap
13	180678	Cable Clamp (5/16)	53	180612	Shoulder Bolt (#3/8-16 X 1-5/8")
14	180679	Brush Tube Assembly	54	180575	Spring Washer
15	180600	Brush Terminal	55	180603	Height Adjustment Handle Knob
16	180651	Screw (#8-10 X 1/2" pan head)	56	180609	8" Rear Wheel
17	180650	Screw (#10-32 X 5-19/64" pan head)	57	180579	Retaining Ring
18	180680	Cable Clamp (3/8)	58	180586	Height Adjustment Arm
19	180434	Screw (#8-10 X 3/4" pan head)	59	180596	Axle Strap
20	180681	Resistor Assembly	60	180646	Screw (#8-16 X 5/8" pan head)
21	180598	End Cap (top)	61	180608	7" Front Wheel
22	180682	Motor Cover	62	180613	Pin
23	180647	Screw (#8-16 X 3/4" pan head)	63	180594	Front Axle Assembly
24	180604	Turf Injector Label	64	180587	Spring
25	180683	Cover Label	65	180595	Rear Axle Assembly
26	180684	Upper Handle Assembly	66A	180605	Blade Nut (#9/16-18)
27	180685	Extension Cord Holder	66B	180949	Blade Nut (1/2"-20)
28	180607	Shoulder Bolt (#5/16-18 X 2" curved head)	67A	180590	Spacer
29	180638	Knob	67B	180948	Spacer
30	180617	End Cap (handle)	68	180495	18" Turf Injector Blade™
31	180584	Lower Handle	69	180672	Fan
32	180614	Wire Clamp	70A	180589	Washer
33	180621	Washer	70B	180946	Washer
34	180616	End Cap (handle mounting tube)	71	180591	Mower Deck
35	180583	Handle Mounting Tube	72	180673	Screw (#8-10 X 1/2" pan head)
36	180648	Screw (#10-14 X 3/4" pan head)	*73	181440	Complete motor (includes 66-67, 70)
37	180669	Deck Bracket	A -		Serial numbers prior to 701510
38	180642	Washer	B -		Serial number 701510 and greater (1/2" armature shaft)
39	180593	Panel Bracket			

MODEL CMM1200 - UPPER HANDLE



Item	Part No.	Description
1	180781	Screw (#6-19 X 5/8 in Pan Head)
2	180645	Screw (#6-19 X 3/4 in Pan Head)
3	181600	Right Housing Cover
4	180783	Actuator Button
5	180784	Spring
6	180785	Pin
7	180786	Screw (#8-32 X 1 IN. PAN HD.)
8	180787	Right Housing Support
9	180788	Hex Nut (#8-32)
10	180789	Upper Handle
11	180790	Foam Grip

Item	Part No.	Description
12	180791	Actuator
14	180792	Left Housing Cover
15	180793	Spring
17	180794	Left Housing Support
18	180795	Cord Clamp
19	180921	Cord Harness
20	180922	Switch
21	180157	Cord w/Terminal
22	180923	Wire Nut
.	180674	Owner's Manual
.		not shown