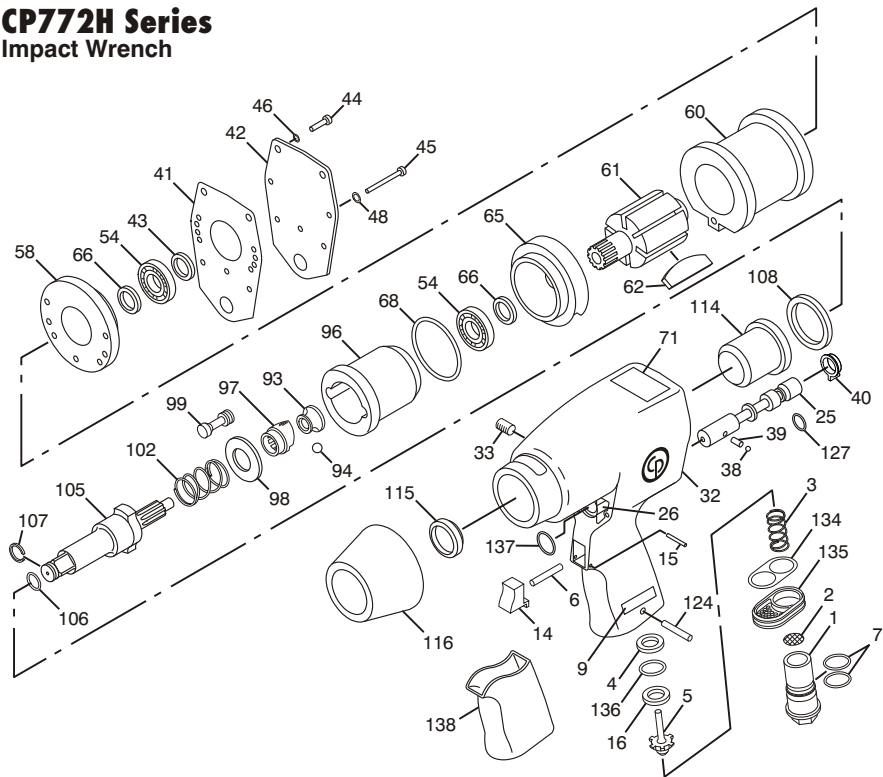


CP772H Series Impact Wrench



Index No.	Part No.	Description	No. Req'd.	Index No.	Part No.	Description	No. Req'd.
1	CA148714	Bushing-Air Inlet	1	62	CA149753	Blade Set-Rotor (6)	1
2	CA059037	Strainer-Air	1	65	CA048440	End Plate-Lower	1
3	CA142464	Spring-Throttle	1	66	<u>C087936</u>	Oil Seal	2
4	CA149095	Spacer	1	68	<u>P083094</u>	O-Ring (-230)	1
5	CA142460	Valve-Throttle	1	71	CA155779	Decal-Safety Warning	1
6	CA144831	Pin-Throttle	1	93	CA147931	Pilot-Cam Ball	1
7	<u>C105693</u>	O-Ring (-017)	2	94	CA048425	Ball-Steel (.406 in. dia.)	1
9	CA131376	Decal-Oil Daily	1	96	CA147932	Cage-Hammer	1
14	CA147017	Trigger	1	97	<u>C117099</u>	Cam-Hammer	1
15	CA144836	Pin-Roll (3/32)	1	98	CA115994	Yoke Hammer Cam	1
16	C139037	Seat-Throttle	1	99	<u>CA048418</u>	Hammer Pin	2
25	CA148723	Valve-Reverse	1	102	<u>CA048414</u>	Spring	1
26	CA148715	Bushing-Reverse Valve	1	105	<u>CA048423</u>	Anvil-Shank (3/4 in. Sq. Dr.) (Incl: Index Nos. 106 & 107)	1
32	CA148713	Housing-Motor (Incl: Index Nos. 26, 33, 114, 115)	1	105A	<u>CA053823</u>	Shank-Anvil (3/4 in. Sq. Dr.)(Incl.: Index Nos. 106, 107)(6 in. longer)	1
33	S089953	Plug-Pipe (1/16 in. NPT)	1	106	<u>CA083354</u>	O-Ring (-111)	1
38	S008613	Ball-Steel (.156 in. dia.)	1	107	<u>CA087404</u>	Retainer-Socket	1
39	CA147021	Spring-Detent	1	108	C117098	Spacer-Anvil	1
40	CA148709	Switch-Regulator	1	114	C117097	Bushing-Shank	1
41	<u>CA148711</u>	Gasket	1	115	<u>S086549</u>	Oil Seal	1
42	CA148708	Cover-Housing	1	116	CA048467	Nose Shield	1
43	<u>C047451</u>	O-Ring (-129)	1	124	R086991	Pin-Roll .188 x 1.00	1
44	<u>C065376</u>	Hd. Cap Screw	4	127	<u>CA148710</u>	O-Ring	1
45	CA048436	Cap Screw	3	134	CA148528	Gasket-Deflector Exh.	1
46	C012058	Lockwasher	4	135	CA147023	Deflector-Exhaust	1
48	CA156065	Washer-Spring	3	136	CA149096	O-Ring	1
54	<u>C068659</u>	Bearing-Ball	2	137	CA148724	Decal	1
58	CA048439	End Plate-Upper	1	138	8940158432	Grip	1
60	CA148706	Liner	1				
61	CA148722	Rotor	1				