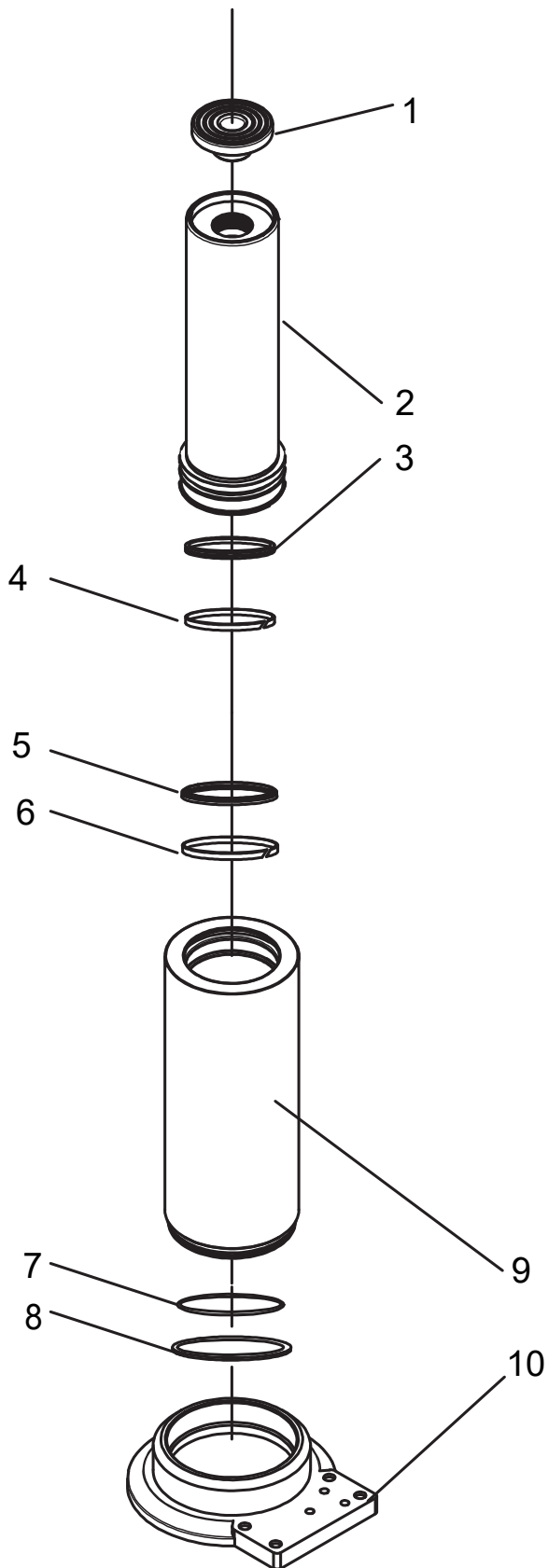


Item No.	Part No.	Description	Q'ty
1	8940175411	Cylinder	1
2	8940174198	Pump	1
3	8940174199	Oil Hose(Φ14×8×350)	1
4	8940174087	Air Hose(Φ6×Φ4)	0.76m
7	8940176134	Housing	1
9	8940176124	Switch	1
12	8940174519	Adaptor(Φ75×45×Φ25)	1
13	8940175416	Tie In	2
20	8940174200	Air Hose(Φ8×Φ5.5)	0.56m
25	8940175415	Adaptor(Φ75×100×Φ25)	1
<b>A</b>	<b>8940175434</b>	<b>Tie In Kit</b>	<b>1</b>
5		Tie In	1
21		Tie In	1
22		Tie In	2
<b>B</b>	<b>8940174329</b>	<b>Handle Kit</b>	<b>1</b>
6		Screw	2
23		Bush	2
24		Handle	1
<b>C</b>	<b>8940176131</b>	<b>Wheel Kit</b>	<b>2</b>
15		Ring(Φ208×55.5)	1
26		Washer(Φ17)	1
27		Wheel	1


Item No.	Part No.	Description	Q'ty
<b>D</b>	<b>8940175428</b>	<b>Protecting Cover Kit</b>	<b>1</b>
14		Board	1
17		Screw(M5×12)	1
<b>E</b>	<b>8940175429</b>	<b>Handle Kit</b>	<b>1</b>
8		Screw(M5×16)	4
9		Switch	1
10		Handle Grip	1
11		Handle	2
28		Air Connector	1
29		Screw	2
30		Bushing	2
31		Nut	2
<b>SP</b>	<b>8940175430</b>	<b>Small Part Kit (Including 8, 16, 17, 18 &amp; 19)</b>	

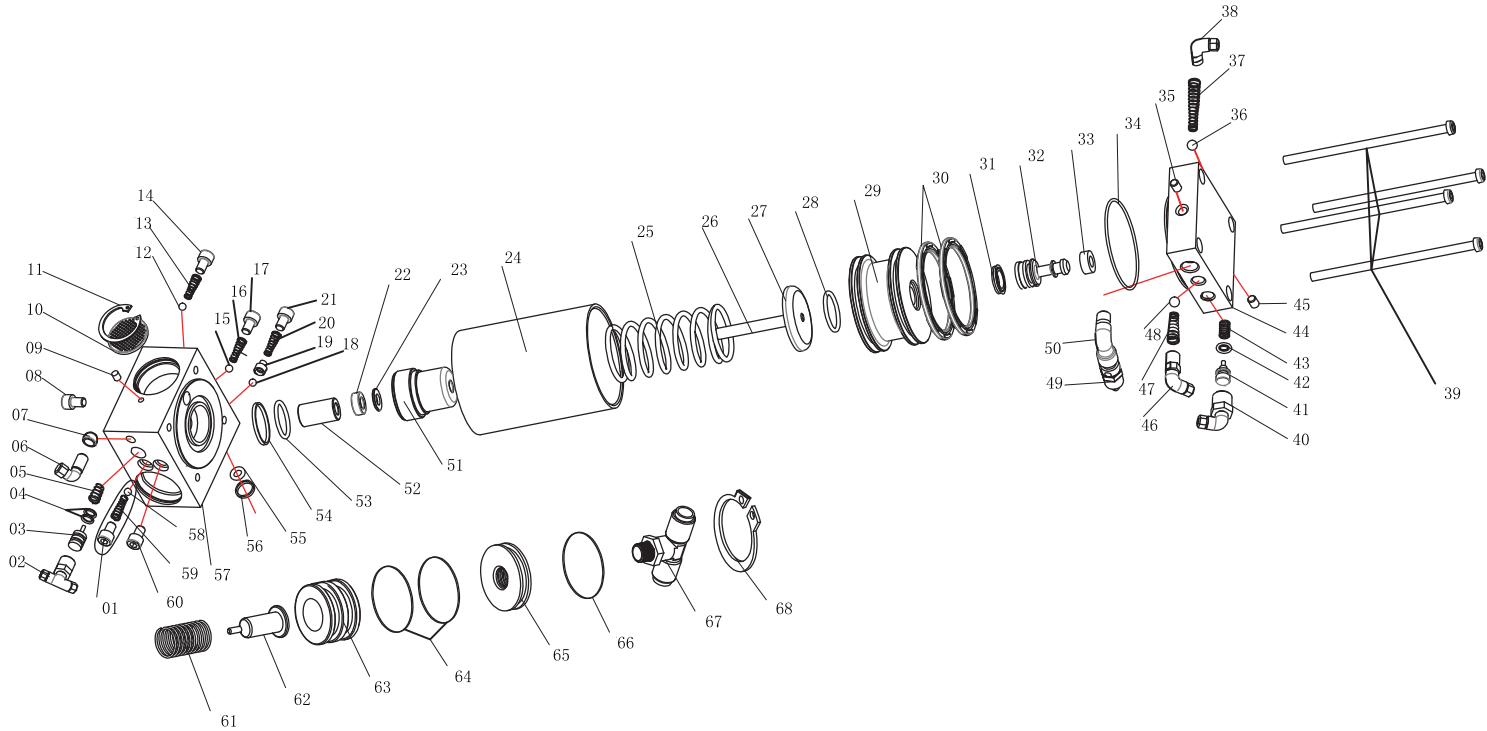
	8940175299	Operator's Manual
	8940174302	Warning label
	8940170883	Safety Instructions

Recommended Accessories	
	<b>SA001 Adaptor Type A</b> 8940176085



<i>Item No.</i>	<i>Part No.</i>	<i>Description</i>	<i>Q'ty</i>
1	8940175418	Cover	1
10	8940175422	Base	1
<b>A</b>	<b>8940175431</b>	<b>Ram Kit</b>	<b>1</b>
2		Ram	1
3		Ring	1
4		Guide Ring	1
<b>B</b>	<b>8940175432</b>	<b>Cylinder housing Kit</b>	<b>1</b>
5		Seal	1
6		Guide Ring	1
7		O Ring	1
8		O Ring	1
9		Cylinder housing	1

	8940175299	Operator's Manual
	8940174302	Warning label
	8940170883	Safety Instructions



Item No.	Part No.	Description	Q'ty
44	8940174253	Air inlet base	1
57	8940174261	Check valve	1
<b>A</b>	<b>8940174373</b>	<b>Silencer</b>	<b>1</b>
10		Silencer	1
11		Circlip	1
<b>B</b>	<b>8940174374</b>	<b>Valve Kit</b>	<b>1</b>
12		Steel ball	1
13		Spring	1
14		Screw	1
32		Steel Ball	1
<b>C</b>	<b>8940174375</b>	<b>Valve Kit</b>	<b>1</b>
15		Steel ball	1
16		Spring	1
17		Screw	1
<b>D</b>	<b>8940174376</b>	<b>Valve Kit</b>	<b>1</b>
18		Steel ball	1
19		Screw nut	1
20		Spring	1
21		Screw	1
<b>E</b>	<b>8940174377</b>	<b>Pump Kit</b>	<b>1</b>
22		Sealing	1
23		Locking Ring	1
24		Air cylinder	1
25		Spring	1
26		Plunger Rod	1
27		Plunger Cover	1
28		O-Ring	1
29		Piston	1
30		OA Sealing	2
31		Sealing	1
32		Piston	1
33		Rubber Cap	1
34		O-Ring	1
52		Guide busher	1
53		O-Ring	1
54		Locking Ring	1
<b>F</b>	<b>8940174378</b>	<b>Valve Kit</b>	<b>1</b>
36		Rubber Ball	1
37		Spring	1
38		Tie-In	1
<b>G</b>	<b>8940174379</b>	<b>Valve Kit</b>	<b>1</b>
40		Tie-In	1
41		Piston	1
42		O-Ring	1
43		Spring	1
44		Air inlet base	1

Item No.	Part No.	Description	Q'ty
<b>H</b>	<b>8940174380</b>	<b>Valve Kit</b>	<b>1</b>
46		Tie-In	1
47		Spring	1
48		Rubber Ball	1
<b>I</b>	<b>8940174381</b>	<b>Safety Valve Kit</b>	<b>1</b>
49		Safe valve	1
50		Tie-In	1
<b>J</b>	<b>8940174382</b>	<b>Valve Kit</b>	<b>1</b>
61		Screw nut	1
62		Spring	1
63		Oil drain bolt	1
64		O-Ring	2
65		End cover	1
66		O-Ring	1
67		Tie-In	1
68		Circlip	1
<b>K</b>	<b>8940174383</b>	<b>Valve Kit</b>	<b>1</b>
1		Screw	1
58		Steel ball	1
59		Spring	1
<b>L</b>	<b>8940174384</b>	<b>Valve Kit</b>	<b>1</b>
2		Tie-In	1
3		Oil drain piston	1
4		O-Ring	2
5		Spring	1
<b>M</b>	<b>8940174385</b>	<b>Valve Kit</b>	<b>1</b>
6		Tie-In	1
7		Fitter	1
<b>SP</b>	<b>8940174386</b>	<b>Small parts Kit (including : 1, 8, 9, 14, 17, 19, 21, 35, 39, 45, 61)</b>	<b>1</b>
<b>GK</b>	<b>8940174387</b>	<b>Gasket Kit (including : 4, 22, 23, 28, 30, 31, 33, 34, 42, 53, 54, 55, 56, 64, 66)</b>	<b>1</b>

	8940175299	Operator's Manual
	8940174302	Warning label
	8940170883	Safety Instructions