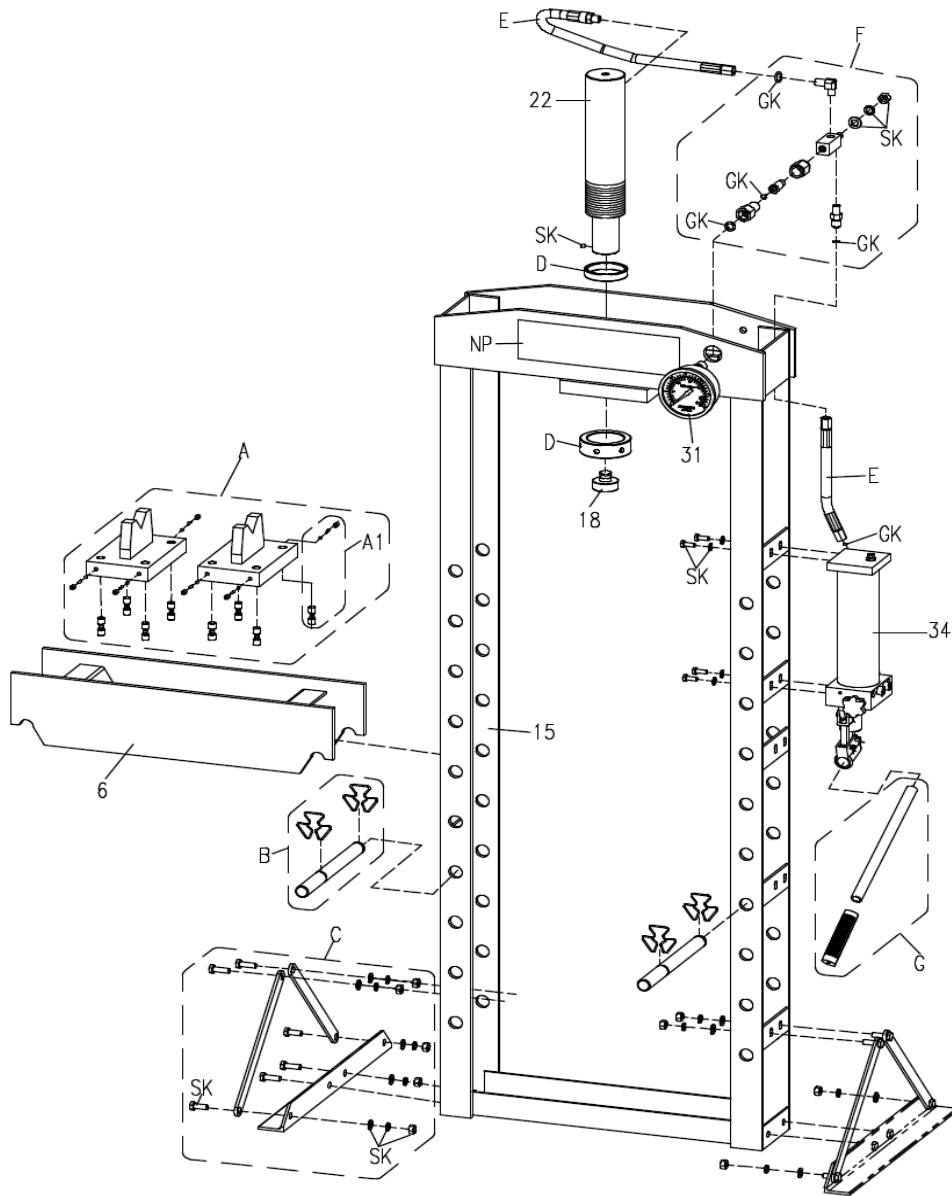


Index No.	Part No.	Description	Qty.
1	8950311695	GUIDE	1
13	8950321556	CYLINDER	1
A	8950321566	PISTON KIT	1
B	8950321567	SPRING KIT	1
C	8950321568	PISTON KIT	1
GK	8950321569	GASKET KIT	1
SP	8950380014	SMALL PARTS KIT	1



8940170883	Safety instructions	1
8940170386	Operator's manual	1
8940170423	Warning label	1

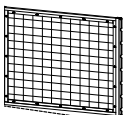


Index No.	Part No.	Description	Qty.
6	8950311671	TABLE	1
15		FRAME	1
18	8950311688	SADDLE	1
22	8950321538	CYLINDER COMPLETE	1
31	8950321543	GAUGE	1
34	8950321545	PUMP COMPLETE	1
A	8950311696	V- BLOCK SET (2)	1
A1	8950311697	PIN KIT	8
B	8950311698	PIN KIT	2

Index No.	Part No.	Description	Qty.
C	8950311699	FOOT KIT	2
D	8950311700	NUT KIT	1
E	8950321557	HOSE KIT	1
F	8950321558	MANIFOLD KIT	1
G	8950311701	HANDLE COMPLETE	1
GK	8950321559	GASKET KIT	1
NP	8940170423	NAME PLATE	1
SK	8950380012	SCREW KIT	1



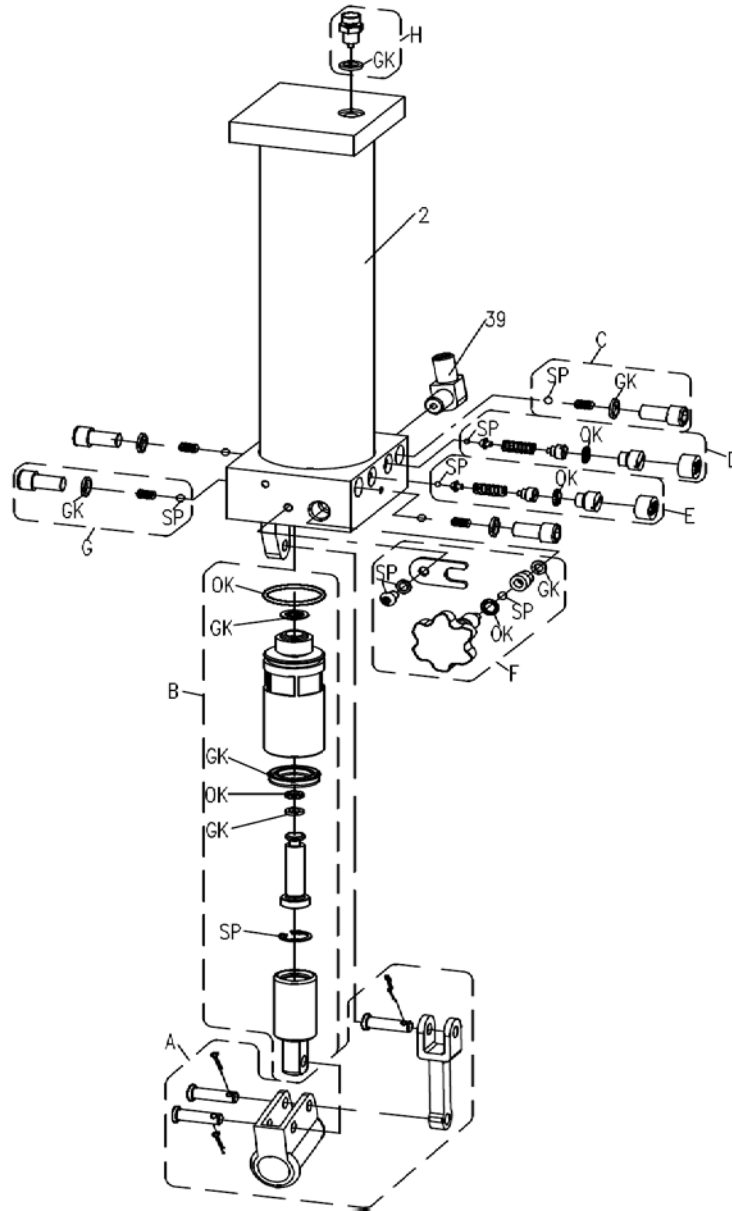
8940170883	Safety instructions	1
8940170386	Operator's manual	1
8940170423	Warning label	1

Recommended Accessories


8940173208 PROTECTIVE NET



8955000050 PRESS BOLT SET



Index No.	Part No.	Description	Qty.
2	8950321546	PUMP HOUSING	1
39	8950321501	FITTING	1
A	8950311702	HANDLE SOCKET KIT	1
B	8950321560	PUMP KIT	1
C	8950321528	VALVE KIT	2
D	8950321561	VALVE KIT	1
E	8950321562	VALVE KIT	1
F	8950321531	VALVE KIT	1
G	8950321563	VALVE KIT	2
GK	8950321564	GASKET KIT	1
H	8950311703	PLUG KIT	1
OK	8950321565	O-RING KIT	1
SP	8950380013	SMALL PARTS KIT	1



8940170883	Safety instructions	1
8940170386	Operator's manual	1
8940170423	Warning label	1