

Index No.	Part No.	Description	Qty.
31	8950311751	TABLE	1
47		PLATE	1
50	8950321594	CYLINDER COMPLETE	1
51		FRAME	1
67	8950321597	GAUGE	1
72	8950321599	PUMP COMPLETE	1
79	8950311758	COVER	1
85	8950311759	COVER	1
A	8950311761	V- BLOCK SET (2)	1
A1	8950311697	PIN KIT	8
B	8950311698	PIN KIT	4
C	8950311762	FOOT KIT	2
E	8950321608	HOSE KIT	1
F	8950321609	MANIFOLD KIT	1

Index No.	Part No.	Description	Qty.
G	8950311764	HANDLE COMPLETE	1
GK	8950321610	GASKET KIT	1
H	8950311765	FOOT PEDAL COMPLETE	1
I	8950311766	SLIDE KIT	2
J	8950311767	WINCH KIT	1
K	8950311768	PULLEY COMPLETE	1
L	8950311769	PULLEY COMPLETE	1
M	8950311770	PULLEY COMPLETE	2
N	8950311771	PULLEY COMPLETE	2
NP	8940170424	NAME PLATE	1
O	8950311772	ROPE KIT	1
SK	8950380015	SCREW KIT	1

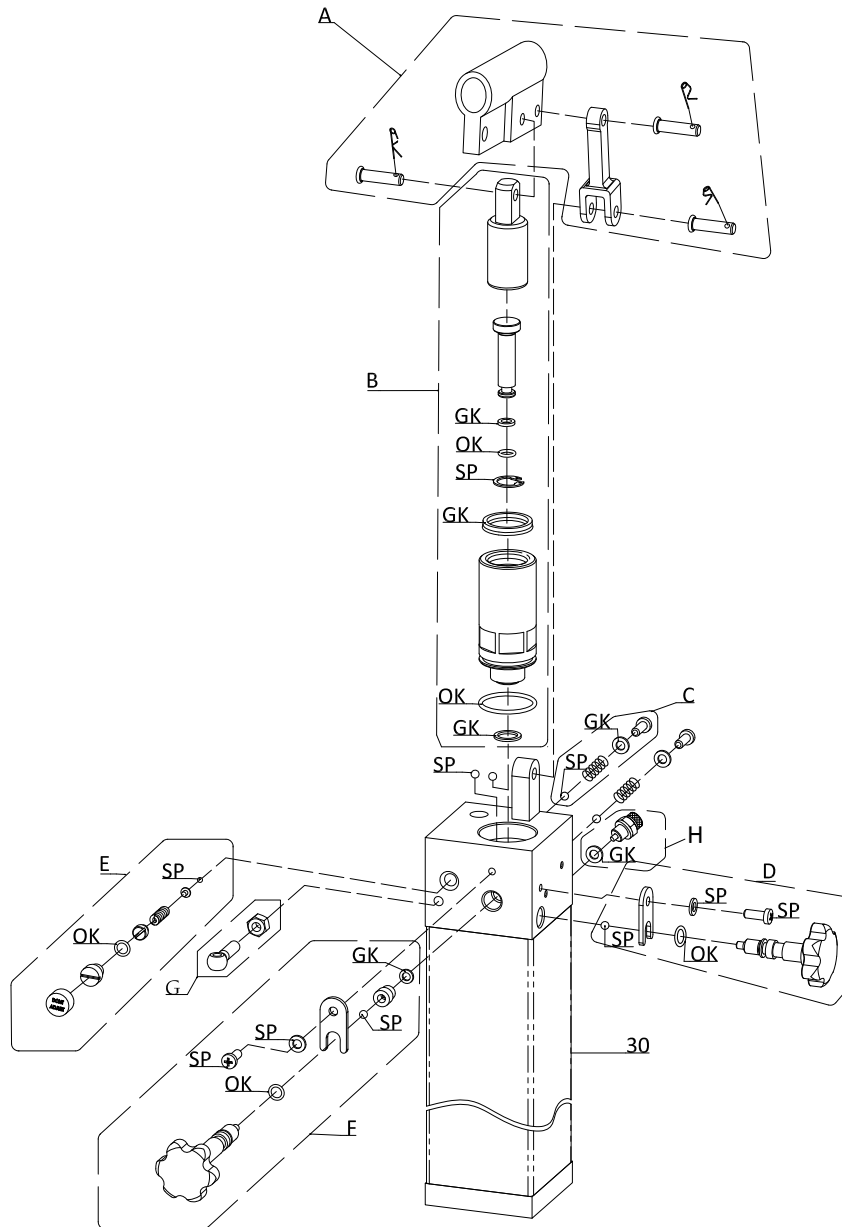


8940170883	Safety instructions	1
8940170386	Operator's manual	1
8940170424	Warning label	1

Recommended Accessories

8940173209 PROTECTIVE NET

8955000050 PRESS BOLT SET



Index No.	Part No.	Description	Qty.
30	8950321600	PUMP HOUSING	1
A	8950311773	HANDLE SOCKET KIT	1
B	8950321560	PUMP KIT	1
C	8950321528	VALVE KIT	2
D	8950321529	VALVE KIT	1
E	8950321611	VALVE KIT	1
F	8950321612	VALVE KIT	1
G	8950010733	SCREW COMPLETE	1
GK	8950321532	GASKET KIT	1
OK	8950321533	O-RING KIT	1
SP	8950380016	SMALL PARTS KIT	1
H	8950311703	PLUG KIT	1



8940170883	Safety instructions	1
8940170386	Operator's manual	1
8940170424	Warning label	1