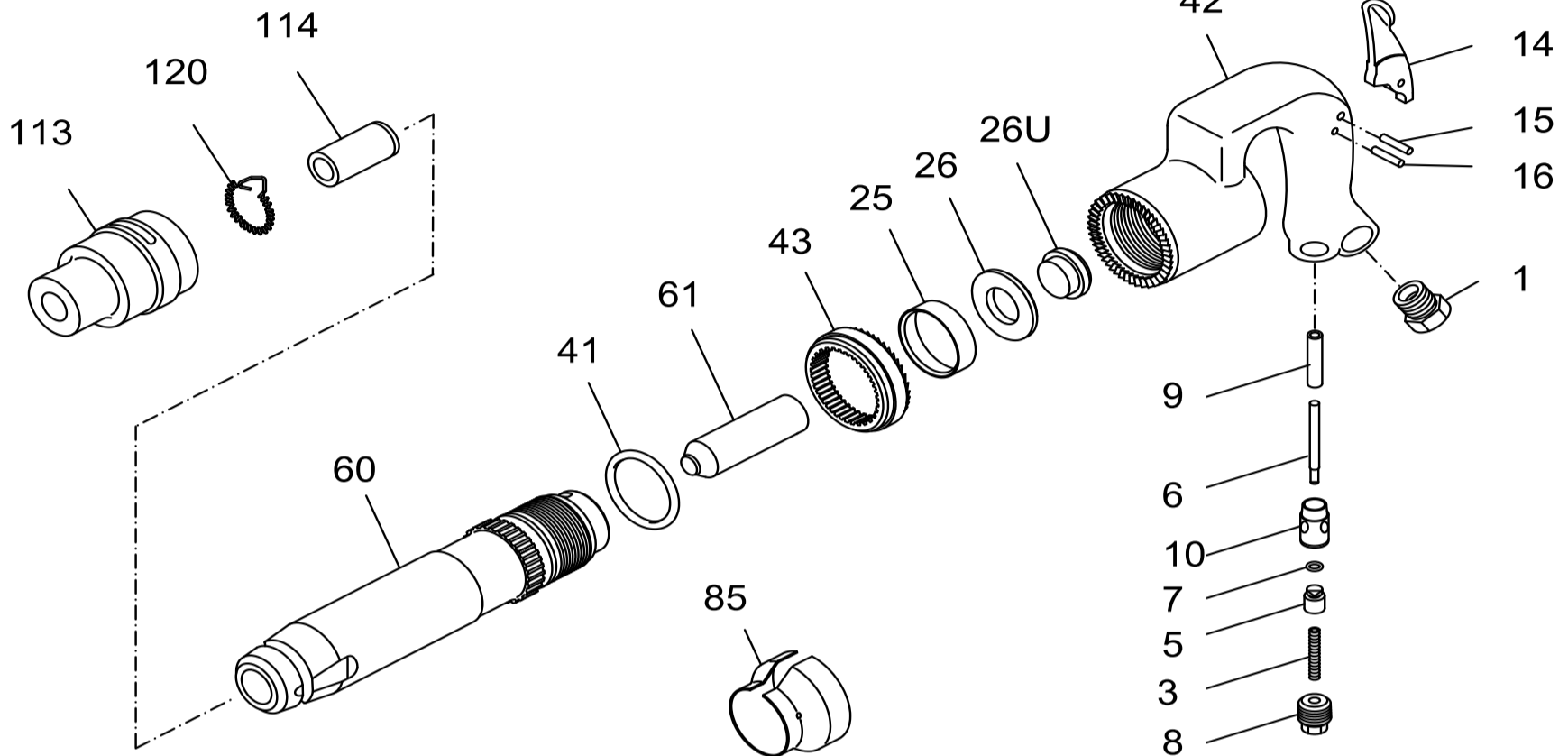




CP9363-1R/H, -2R/H, -3R/H, -4R/H Series Chipping Hammers



Item No.	Part No	Description	Qty.
1	6153071680	Air Inlet	1
42	6153900670	Handle (incl. Item No. 9)	1
60		Cylinder	1
<u>61</u>	<u>6151431670</u>	<u>Piston -1</u>	<u>1</u>
		CP9363-1R, CP9363-1H	
	<u>6151431680</u>	<u>Piston -2</u>	<u>1</u>
		CP9363-2R, CP9363-2H	
	<u>6151431690</u>	<u>Piston -3</u>	<u>1</u>
		CP9363-3R, CP9363-3H	
	<u>6151431700</u>	<u>Piston -4</u>	<u>1</u>
		CP9363-4R, CP9363-4H	
85	6155732820	Lock Shield	1
113	6152520210	Retainer	1
114R	6155770900	Shank Bushing - Round	1
		CP9363-1,2,3,4R	
114H	6155770910	Shank Bushing - Hex	1
		CP9363-1,2,3,4H	
120	6156811910	Lock Coil	1
	470173	Warning Label	1
A	6153988180	Throttle Valve Kit	
3		Spring	1
<u>5</u>		<u>Valve</u>	<u>1</u>
6		Stem	1
<u>7</u>		<u>O-ring</u>	<u>1</u>
10		Bushing	1

Item No.	Part No	Description	Qty.
B	6153988190	Trigger Kit	
14		Trigger	1
15		Pin	1
16		Pin	1
C	6153988200	Valve Kit	
<u>25</u>		<u>Valve</u>	<u>1</u>
26 U		Upper Case	1
26		Case	1
D	6153988210	Small Parts kit	
8		Cap	1
15		Pin	1
16		Pin	1
41		Washer	1
43		Key	1

6153988300	Tune Up Kit
Incl. item Nos. 5, 7, 41	

	6159942070	OPERATOR'S MANUAL
	6159948780	SAFETY INSTRUCTIONS

Recommended accessories	
	Protecto-lube Oil (to clean motor parts) CA149661 (4 oz - 0.12 l) CA000046 (20 oz - 0.59 l)
	Airoilene Oil (for air lubrication) P089507 (1 gal - 3.8 l)