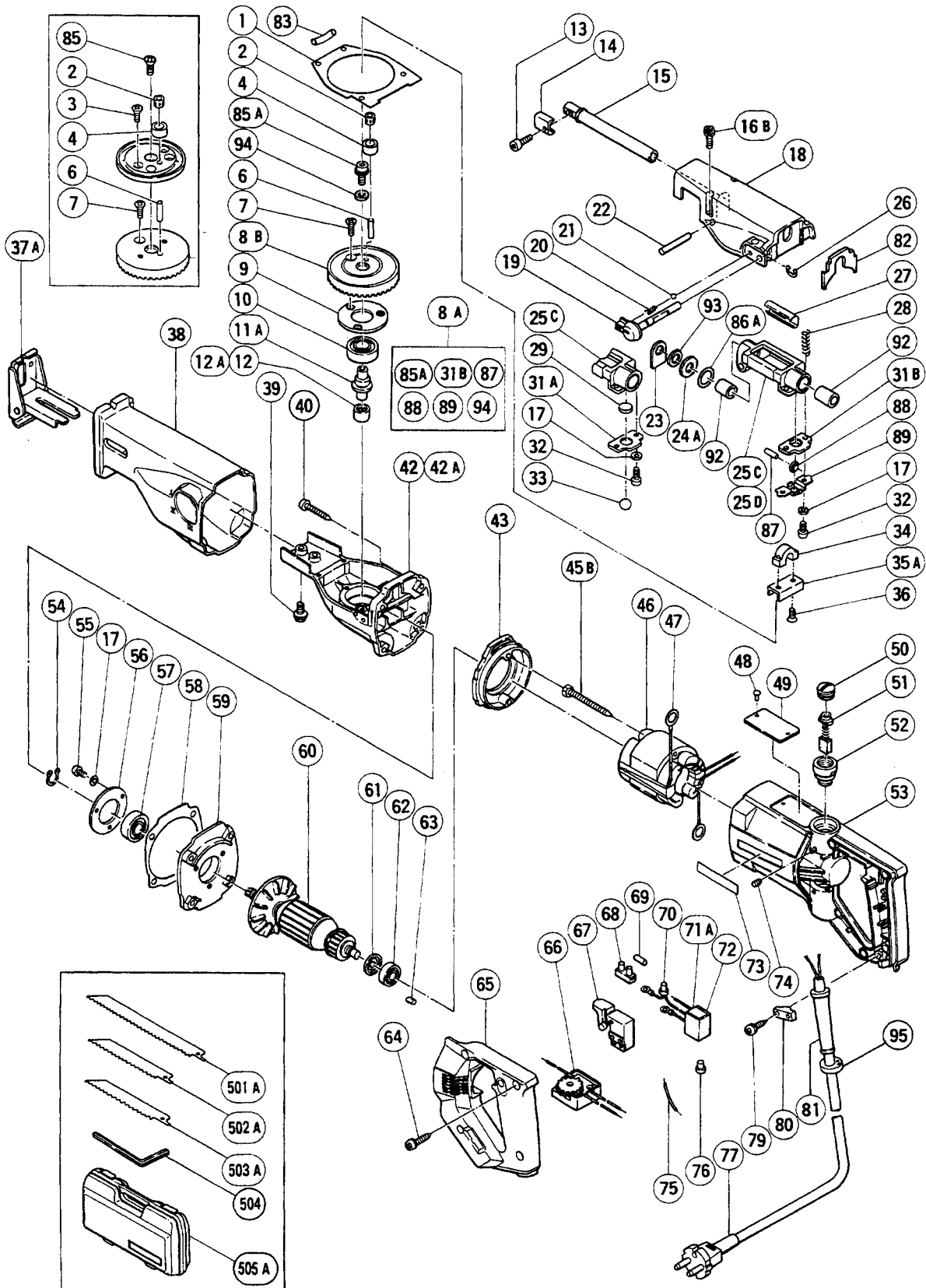


ELECTRIC TOOL PARTS LIST

■ SABER SAW
Model CR 10V

1995 · 10 · 10
(E6)



PARTS

CR 10V

ITEM NO.	CODE NO.	DESCRIPTION	NO. USED	REMARKS	
1	983-561	SEAL PACKING (B)	1		
2	983-580	NEEDLE ROLLER H - 7108	1		
3	949-331	FLAT HD. SCREW M5X10 (10 PCS.)	2	TILL 4.1988	
4	983-541	CONNECTING PIECE (A)	1		
6	983-558	PIN D7	1		
7	949-332	FLAT HD. SCREW M5X12 (10 PCS.)	3		
8A	984-441	GEAR ROLLER ASS'Y	1	INCLUD.31B,85A,87 - 89,94 TILL 9.1983	
8B	984-442	GEAR ASS'Y	1	INCLUD.85A,94 SINCE 10.1983	
9	956-599	BEARING COVER	1		
10	620-2VV	BALL BEARING 6202VVCMP2S	1		
11A	984-446	SPINDLE	1		
12	871-397	NEEDLE BEARING (NTN HK1210)	1	TILL 2.1987	
12A	954-789	METAL (B)	1	SINCE 3.1987	
13	949-885	HEX. SOCKET HD. BOLT M5X14 (10 PCS.)	1		
14	958-808	BLADE HOLDER	1		
15	983-589	PLUNGER	1		
16B	305-583	HEX. SOCKET HD. BOLT (W/SP.WASHER) M5X20	4		
17	949-453	SPRING WASHER M4 (10 PCS.)	5		
18	983-571	UPPER COVER	1		
19	983-562	CHANGE LEVER	1		
20	982-454	SPRING (C)	1		
21	959-155	STEEL BALL D3.97 (10 PCS.)	1		
22	983-564	PIN D6	1		
23	983-565	PACKING WASHER	1		
24A	983-591	FELT PACKING	1		
25C	983-570	PLUNGER CASE ASS'Y	1	INCLUD.27,29,31A,92 TILL 9.1983	
25D	983-548	PLUNGER CASE ASS'Y	1	INCLUD.27,31B,87,88,89,92 SINCE 10.1983	
26	673-489	RETAINING RING (E - TYPE) FOR D5 SHAFT	1		
27	983-588	PLATE	1		
28	983-595	SPRING	2		
29	983-586	BALL RECEIVER	1	TILL 9.1983	
31A	983-585	BALL HOLDER	1	TILL 9.1983	
31B	983-543	BALL HOLDER	1	SINCE 10.1983	
32	949-219	MACHINE SCREW M4X16 (10 PCS.)	2		
33	944-941	STEEL BALL D7.94	1	TILL 9.1983	
34	983-587	CONNECTOR HOLDER	1		
35A	996-405	CONNECTOR	1		
36	983-550	SEAL LOCK HEX.SOCKET FLAT HD.BOLT M5X12	2		
37A	984-450	BASE	1		
38	983-589	INSULATING COVER	1		
39	996-399	HEX. SOCKET HD. BOLT (W/FLANGE) M5X12	2		
40	931-875	TAPPING SCREW D5X35	4		
42	983-555	GEAR COVER ASS'Y	1	INCLUD.12 TILL 2.1987	
42A	984-445	GEAR COVER ASS'Y	1	INCLUD.12A SINCE 3.1987	
43	981-582	FAN GUIDE	1		
45B	981-501	HEX. HD. TAPPING SCREW D5X60	2		
*	46	983-580C	STATOR ASS'Y 110V - 127V	1	INCLUD.47
*	46	983-580E	STATOR ASS'Y 220V - 240V	1	INCLUD.47
*	46	983-580H	STATOR ASS'Y 220V - 230V	1	INCLUD.47 FOR NZL,SAF,FRA,AUT,SUI
*	46	983-580J	STATOR ASS'Y 230V - 240V	1	INCLUD.47 FOR GBR,ITA,FRG,HOL,DEN,SWE, NOR,FIN

*: ALTERNATIVE PARTS

PARTS

CR 10V

ITEM NO.	CODE NO.	DESCRIPTION	NO. USED	REMARKS
* 48	983-580F	STATOR ASS'Y 230V - 240V	1	INCLUD.47 FOR KUW,NGU,AUS
* 48	983-580K	STATOR ASS'Y 110V	1	INCLUD.47 FOR GBR
47	930-703	BRUSH TERMINAL	2	
* 48	932-842	RIVET D2.5X2.8	2	FOR USA,CAN
49		NAME PLATE	1	
50	981-781	BRUSH CAP	2	
51	981-812Z	CARBON BRUSH (AUTO STOP TYPE) (1 PAIR)	2	
52	981-586	BRUSH HOLDER	2	
53	983-552	HOUSING ASS'Y	1	INCLUD.52,74
54	939-542	RETAINING RING FOR D12 SHAFT (10 PCS.)	1	
55	949-217	MACHINE SCREW M4X12 (10 PCS.)	3	
56	937-077	BEARING COVER (A)	1	
57	620-1VV	BALL BEARING 6201VVCMP2S	1	
58	983-554	SEAL PACKING (A)	1	
59	983-553	INNER COVER	1	
* 60	983-581	ARMATURE 100V - 127V	1	
* 60	983-581E	ARMATURE 220V - 230V	1	
* 60	983-581F	ARMATURE 240V	1	
61	956-387	DUST SEAL (A)	1	
62	608-VVM	BALL BEARING 608VVMC2EPS2L	1	
63	948-382	BEARING LOCK	1	
64	982-095	TAPPING SCREW (W/WASHER) D4X20	5	
65	983-572	HANDLE COVER	1	
* 66	983-577	CONTROLLER CIRCUIT 100V - 127V	1	
* 66	983-582	CONTROLLER CIRCUIT 220V - 240V	1	
* 66	983-583Z	CONTROLLER CIRCUIT 220V - 240V	1	FOR AUS,EUROPE,CHI
* 66	983-596	CONTROLLER CIRCUIT 110V	1	FOR GBR
* 67	957-747	SWITCH (A) (1P SCREW TYPE) W/LOCK	1	
* 67	983-758Z	SWITCH (2P PILLAR TYPE) W/SAFETY LOCK	1	FOR FRA,AUS
* 67	971-887Z	SWITCH (2P PILLAR TYPE) W/LOCK	1	FOR EUROPE,CHI
* 68	938-307	PILLAR TERMINAL	2	FOR FIN,USA
* 69	981-373	TUBE (D)	2	FOR AUS,EUROPE,CHI
* 70	959-140	CONNECTOR 50091 (10 PCS.)	1	FOR NZL,SAF
* 71A	994-273	NOISE SUPPRESSOR	1	
* 72	930-153	SUPPORT (B)	1	FOR NOISE SUPPRESSOR
73	957-561	HITACHI LABEL	1	
74	981-881	HEX. SOCKET SET SCREW M4X5	2	
* 75	981-534	INTERNAL WIRE	1	
* 76	959-140	CONNECTOR 50091 (10 PCS.)	4	
* 77	500-201Z	CORD	1	(CORD ARMOR D10.1)
* 77	500-223Z	CORD	1	(CORD ARMOR D10.1) FOR SIN,KUW
* 77	500-228Z	CORD	1	(CORD ARMOR D8.8) FOR NZL,NGU,AUS
* 77	500-234Z	CORD	1	(CORD ARMOR D8.8) FOR INA,SUR,MLT
* 77	500-240Z	CORD	1	(CORD ARMOR D8.8) FOR USA,CAN
* 77	500-245Z	CORD	1	(CORD ARMOR D10.1) FOR SYR
* 77	500-247Z	CORD	1	(CORD ARMOR D10.1) FOR ITA,FRG,FRA,HOL, FIN,DEN,SWE,AUT
* 77	500-248Z	CORD	1	(CORD ARMOR D10.1) FOR SUI
* 77	500-237Z	CORD	1	(CORD ARMOR D8.8) FOR GBR (110V)
* 77	500-435Z	CORD	1	(CORD ARMOR D8.8) FOR GBR (230V)
79	930-446	TAPPING SCREW (W/WASHER) D4X16	2	

*: ALTERNATIVE PARTS

PARTS

CR 10V

ITEM NO.	CODE NO.	DESCRIPTION	NO. USED	REMARKS	
	80	980-266	CORD CLIP	1	
*	81	953-327	CORD ARMOR D8.8	1	
*	81	938-051	CORD ARMOR D10.1	1	
	82	983-590	RUBBER SEAL	1	
	83	983-594	RUBBER PACKING	1	
	85	983-609	SEAL LOCK HEX.SOCKET FLAT HD.BOLT M6X16	1	TILL 4.1986
	85A	984-443	HEX. SOCKET HD. BOLT (W/FLANGE) M6X12	1	SINCE 5.1986
	86A	872-654	O - RING (1AP - 10)	1	
	87	983-545	NEEDLE ROLLER	2	SINCE 10.1983
	88	983-546	ROLLER	1	SINCE 10.1983
	89	983-544	ROLLER COVER	1	SINCE 10.1983
	92	956-589	METAL	2	
	93	980-873	WASHER	1	
	94	944-268	WASHER (C)	1	SINCE 5.1986
*	95	940-928	WRENCH HOLDER	1	FOR USA

*: ALTERNATIVE PARTS

STANDARD ACCESSORIES

CR 10V

ITEM NO.	CODE NO.	DESCRIPTION	NO. USED	REMARKS
501A	959-610	SABER SAW BLADES NO.1 (5 PCS.)	1	
502A	958-183	SABER SAW BLADES NO.3 (5 PCS.)	1	
503A	958-185	SABER SAW BLADES NO.5 (5 PCS.)	1	
504	944-458	HEX. BAR WRENCH 4MM	1	
505A	310-905	CASE	1	FOR USA,CAN

OPTIONAL ACCESSORIES

ITEM NO.	CODE NO.	DESCRIPTION	NO. USED	REMARKS
601A	958-182	SABER SAW BLADES NO.2 (5 PCS.)	1	
602A	959-611	SABER SAW BLADES NO.4 (5 PCS.)	1	
603A	958-186	SABER SAW BLADES NO.6 (5 PCS.)	1	
604A	958-187	SABER SAW BLADES NO.7 (5 PCS.)	1	
605A	958-188	SABER SAW BLADES NO.8 (5 PCS.)	1	
608	984-448	CUT - OFF GUIDE ASS'Y (S) FOR PIPE (10 - 55)	1	INCLUD.609 - 613
609	996-450	PLATE GUIDE	1	
610	996-451	PLATE	1	
611	993-843	KNOB BOLT M8X14	1	
612	984-450	BASE	1	
613	976-706	MACHINE SCREW (W/WASHERS) M5X10	2	
614	984-449	CUT - OFF GUIDE ASS'Y (L) FOR PIPE(75 - 175)	1	INCLUD.612,615 - 623
615	996-424	SLIDE PLATE	1	
616	996-421	GUIDE BAR	2	
617	996-428	PLATE (A)	1	
618	996-423	NUT LEVER	1	
619	996-422	CHAIN BOLT	1	
620	949-818	HEX. SOCKET HD. BOLT M5X8 (10 PCS.)	2	
621	949-755	HEX. SOCKET HD. BOLT M6X16 (10 PCS.)	4	
622	949-425	WASHER M6 (10 PCS.)	2	
623	944-459	HEX. BAR WRENCH 5MM	1	
624	996-427	SABER SAW BLADES NO. 9 (3 PCS.)	1	
625	958-190	SABER SAW BLADES NO.97 FOR STAINLESS(5PC)	1	
626	958-191	SABER SAW BLADES NO.98 FOR STAINLESS(5PC)	1	

*: ALTERNATIVE PARTS