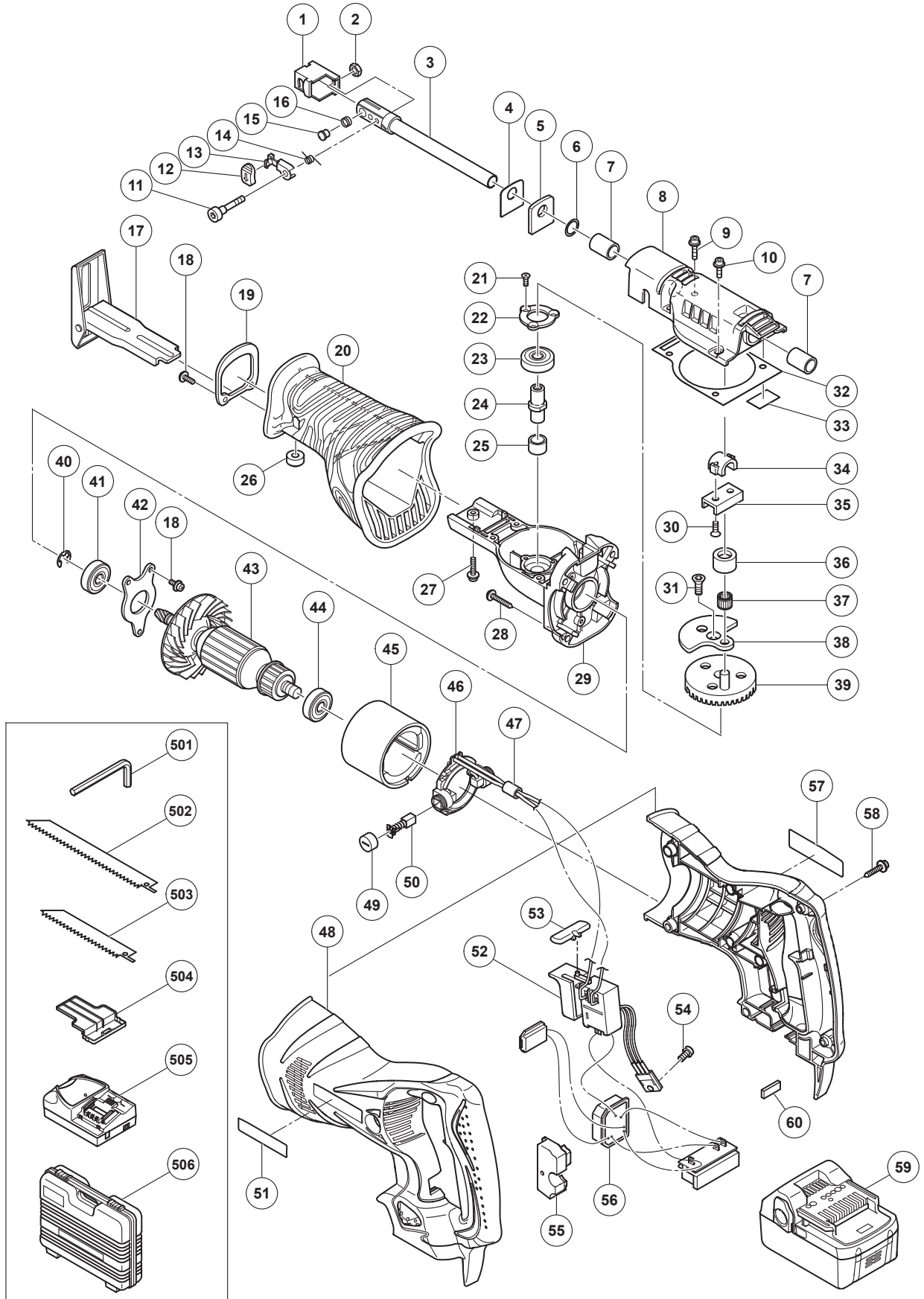


ELECTRIC TOOL PARTS LIST

CORDLESS RECIPROCATING SAW Model CR 18DSL

2008·10·6
(E1)



PARTS

CR 18DSL

ITEM NO.	CODE NO.	DESCRIPTION	NO. USED	REMARKS	
1	321-132	BLADE HOLDER (A)	1		
2	322-709	NUT M4 (BLACK)	1		
3	324-472	PLUNGER	1		
4	996-401	PACKING WASHER	1		
5	996-400	FELT PACKING	1		
6	996-407	O-RING (1AP-12)	1		
7	956-589	METAL	2		
8	324-471	UPPER COVER ASS'Y	1	INCLUD. 7	
9	305-583	HEX. SOCKET HD. BOLT (W/SP.WASHER) M5X20	2		
10	305-574	HEX. SOCKET HD. BOLT (W/SP.WASHER) M5X16	2		
11	322-134	SPECIAL BOLT M4	1		
12	321-130	CAP	1		
13	321-131	LEVER (A)	1		
14	321-135	SPRING (D)	1		
15	321-134	HOLDER PIN (B)	1		
16	318-483	SPRING (B)	1		
17	319-866	BASE	1		
18	951-039	MACHINE SCREW (W/SP. WASHER) M4X12	5		
19	324-474	COVER PLATE	1		
20	324-473	FRONT COVER	1		
21	993-244	SEAL LOCK FLAT HD. SCREW M4X12	3		
22	319-849	BEARING COVER (B)	1		
23	690-1VV	BALL BEARING 6901VVCMP2L	1		
24	319-848	SPINDLE	1		
25	954-789	METAL (B)	1		
*	26	326-353	CAP (A)	1	FOR USA, CAN
	27	996-399	HEX. SOCKET HD. BOLT (W/FLANGE) M5X12	1	
	28	986-011	TAPPING SCREW (W/SP. WASHER) D5X30	4	
	29	319-844	GEAR COVER ASS'Y	1	INCLUD. 25
	30	319-875	SEAL LOCK HEX. SOCKET FLAT HD. BOLT M5X12	2	
	31	319-851	NYLOCK HEX. SOCKET FLAT HD. BOLT M6X16	1	
	32	319-856	SEAL PACKING	1	
	33	319-874	PACKING (B)	1	
	34	983-567	CONNECTOR HOLDER	1	
	35	996-405	CONNECTOR	1	
	36	983-541	CONNECTING PIECE (A)	1	
	37	324-470	NEEDLE ROLLER	1	
	38	319-852	BALANCE WEIGHT	1	
	39	324-469	GEAR	1	
	40	670-514	RETAINING RING (E-TYPE) FOR D10 SHAFT	1	
	41	600-1VV	BALL BEARING 6001VVCMP2L	1	
	42	319-843	BEARING COVER (A)	1	
	43	360-703	ARMATURE ASS'Y DC 18V	1	INCLUD. 40-42, 44
	44	608-VVM	BALL BEARING 608VVC2PS2L	1	
	45	324-468	MAGNET	1	
	46	324-478	BRUSH BLOCK	1	
*	47	318-247	FERRITE CORE	1	EXCEPT FOR AUS, NZL, USA, CAN
	48	330-159	HOUSING (A).(B) SET	1	INCLUD. 60
	49	319-847	BRUSH CAP	2	
	50	999-068	CARBON BRUSH (1 PAIR)	2	

