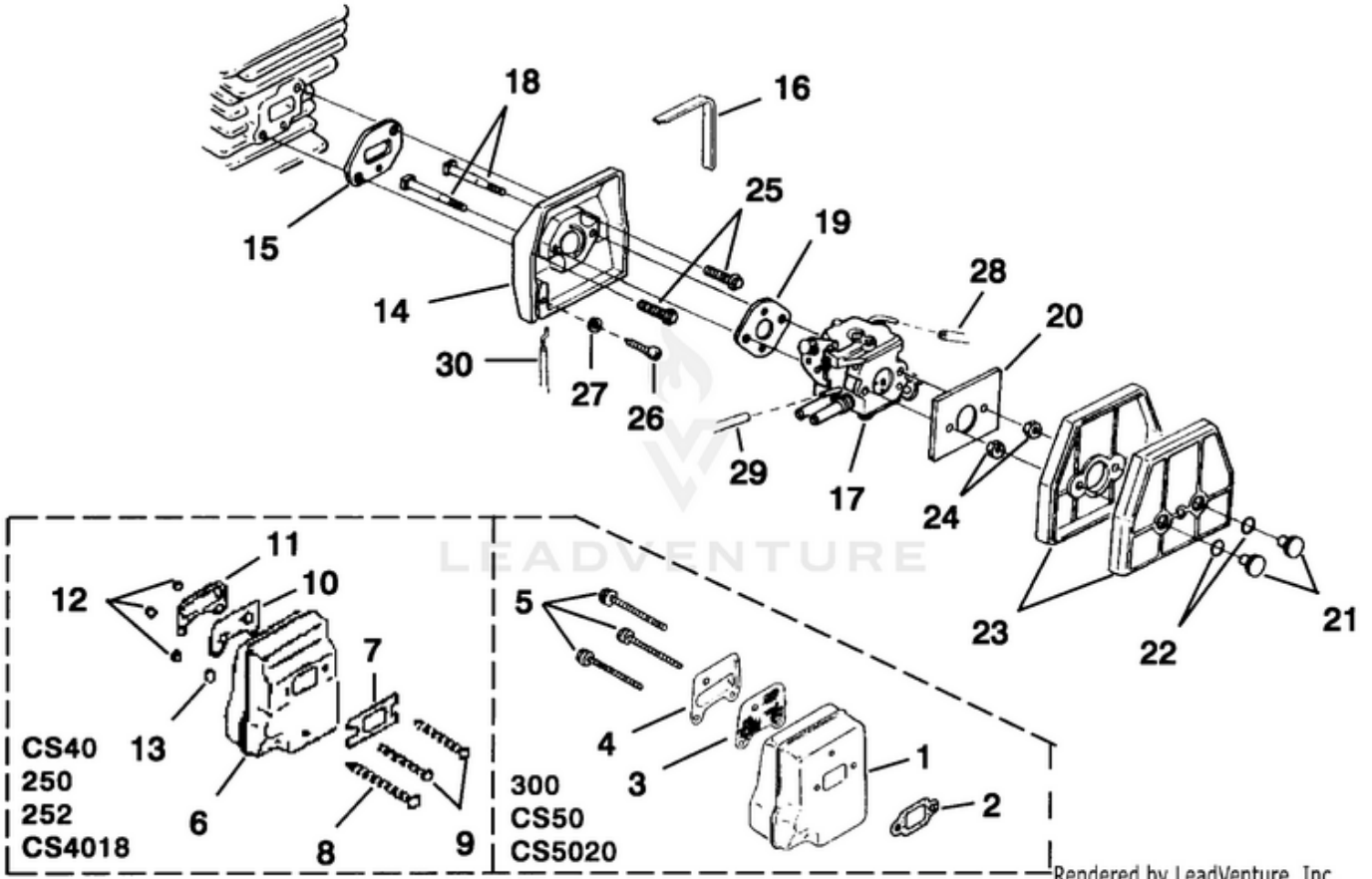


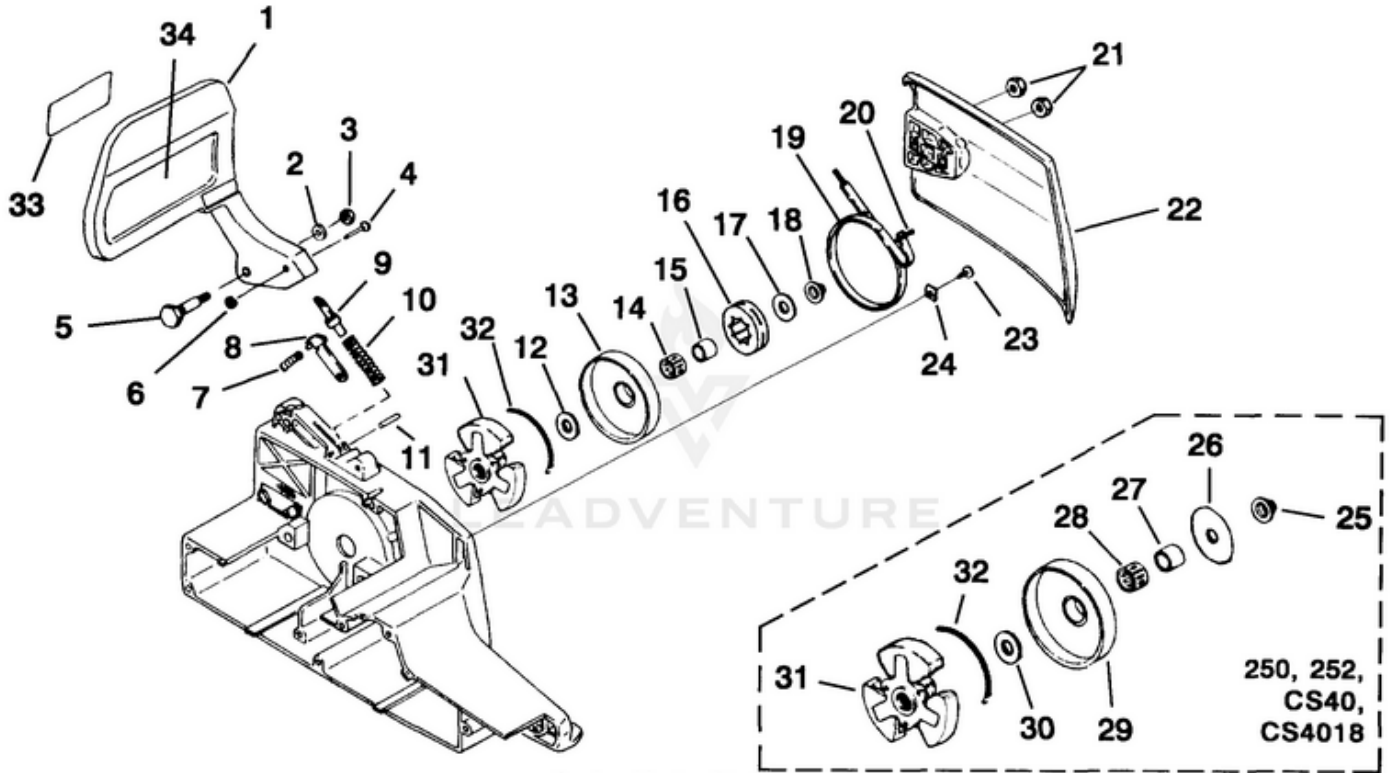
CS40 Chain Saw UT-10708-B 10708-B-UT CS40 Chain Saw UT-10708-B CS40 Chain Saw - Carburetor - Muffler



Rendered by LeadVenture, Inc.

<b>Ref #</b>	<b>Part #</b>	<b>Description</b>	<b>Qty</b>
1		MUFFLER - Complete	1
2		GASKET Muffler	1
3		SCREEN- Spark Arrestor	1
4		COVER- Exhaust	1
5		SCREW-Sems (10-24)	3
6	06631A	MUFFLER - Complete	1
7	01543B	GASKET Muffler	1
8	02176	SCREW- Square Hd. (10-32 x 2 1/2)	1
9	02509	SCREW- Square Hd. (10-32 x 2 1/4)	2
10	01532	SCREEN-Spark Arrestor	1
11	01531A	COVER- Exhaust	1
12	81206	NUT Locking (10-32)	3
13	84003	WASHER- Flat (#12)	1
14	02583	SPACER-Carburetor	1
15	00202B	GASKET- Carburetor Spacer	1
16	01823	FOAM- Adhesive	1
17	07039	CARBURETOR W/AIR FILTER (Walbro)	1
18	00905A	SCREW- Carburetor Retainer	2
19	98339	GASKET Carburetor	1
20	02695	RETAINER PLATE	1
21	01178	RETAINER NUT Filter	2
22	02718	"O" RING	2
23	02582A	AIR FILTER	1
24	81009	NUT Hex (8-32)	2
25	82430	SCREW Mach. Hex Hd. (8-32 x 7/8")	2
26	82513	SCREW Thread Form (6-19 x 5/8")	1
27	84123	WASHER Flat (#6)	1
28	7031036	TUBING-Rubber (9")	1
29	7031019	TUBING- Rubber (4 3/4")	1
30	00997D	CABLE Throttle	1

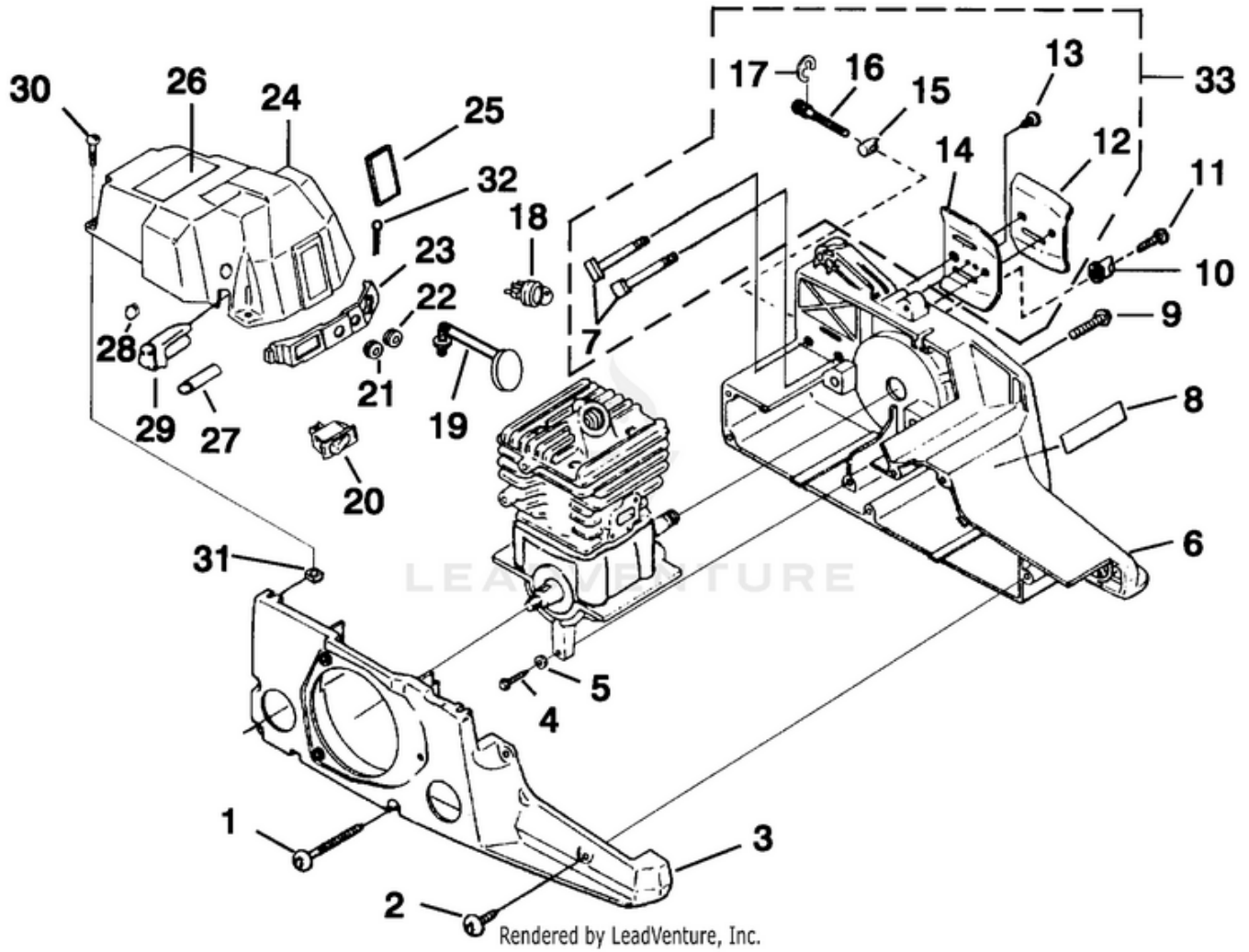
CS40 Chain Saw UT-10708-B 10708-B-UT CS40 Chain Saw UT-10708-B CS40 Chain Saw - Clutch & Chain Brake



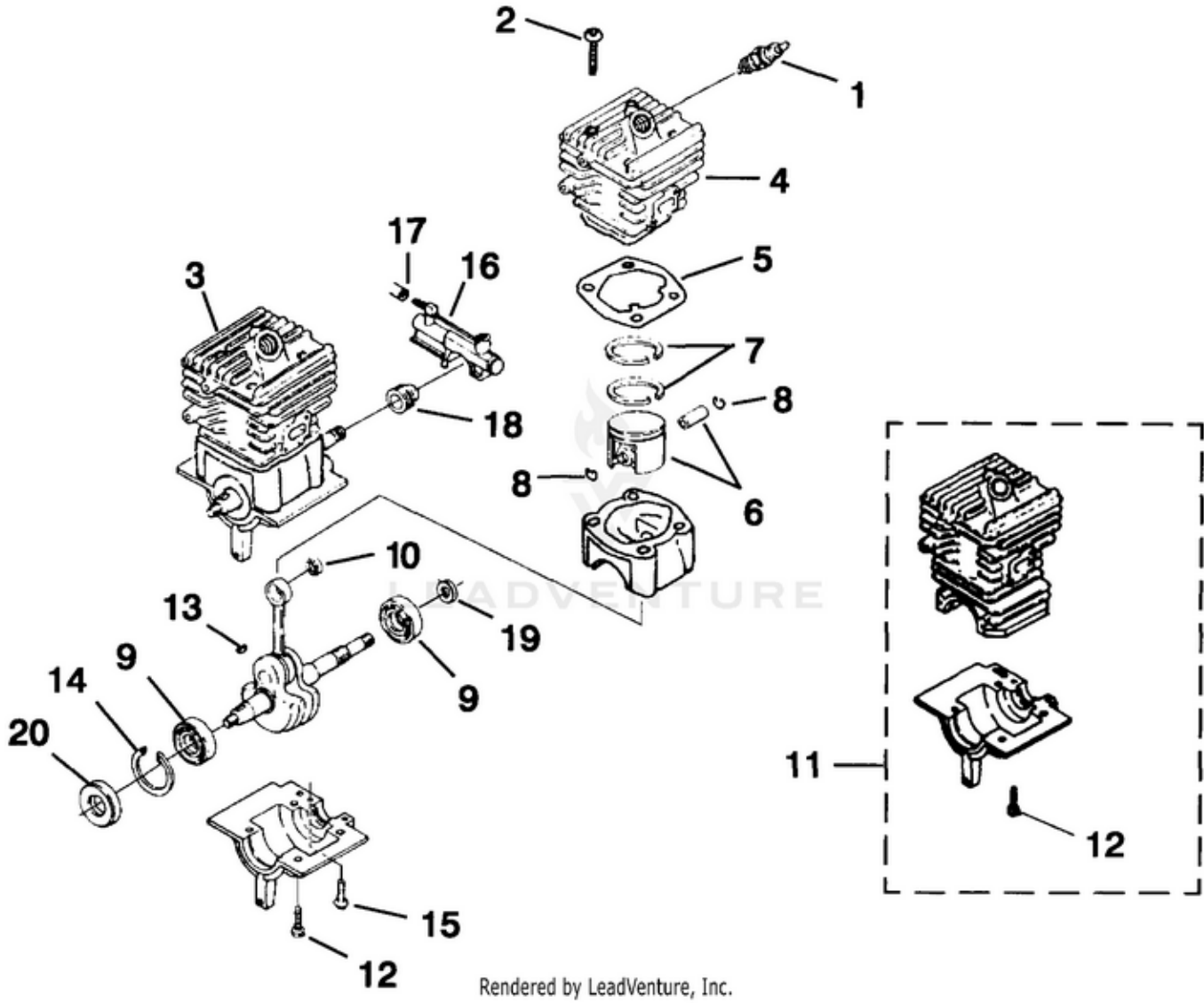
Rendered by LeadVenture, Inc.

<b>Ref #</b>	<b>Part #</b>	<b>Description</b>	<b>Qty</b>
1		GUARD, HAND	1
2		WASHER, BELLVILLE	1
3		NUT-(M5)	1
4		PIN	1
5		SCREW, SHOULDER	1
6		RING, RETAINER	1
7		SPRING, COIL	1
8		BRAKE LATCH ASSY	1
9		ADJUSTER, BRAKE	1
10		SPRING, COMPRESSION	1
11		PIN	1
12		WASHER, THRUST (INNER)	1
13		SPLINE & DRUM	1
14		BEARING, NEEDLE	1
15		RACE, INNER	1
16		SPROCKET, RIM (.325 X 7T)	1
17	65027	WASHER, THRUST	1
18	81255	NUT, HEX LOCK (3/8"-24)	1
19		BRAKE BAND ASSY	1
20		PIN, DOWEL	1
21	81196	NUT, HEX	2
22	00226A	COVER, DRIVE CASE	1
23		SCREW, THREAD FORM (#6)	1
24		RETAINER, BRAKE BAND	1
25	81255	NUT, HEX LOCK (3.8"-24)	1
26	65064	WASHER, THRUST	1
27	69423	RACE, INNER	1
28	64333	BEARING, NEEDLE	1
29	00996A	SPROCKET & DRUM	1
30	65027	WASHER, THRUST	1
31	00995	CLUTCH ASSY	1
32	98453	SPRING, CLUTCH	1
33		LABEL, KICKBACK	1
34	02661	DECAL, SAFETY	1

CS40 Chain Saw UT-10708-B 10708-B-UT CS40 Chain Saw UT-10708-B CS40 Chain Saw - Engine Housing



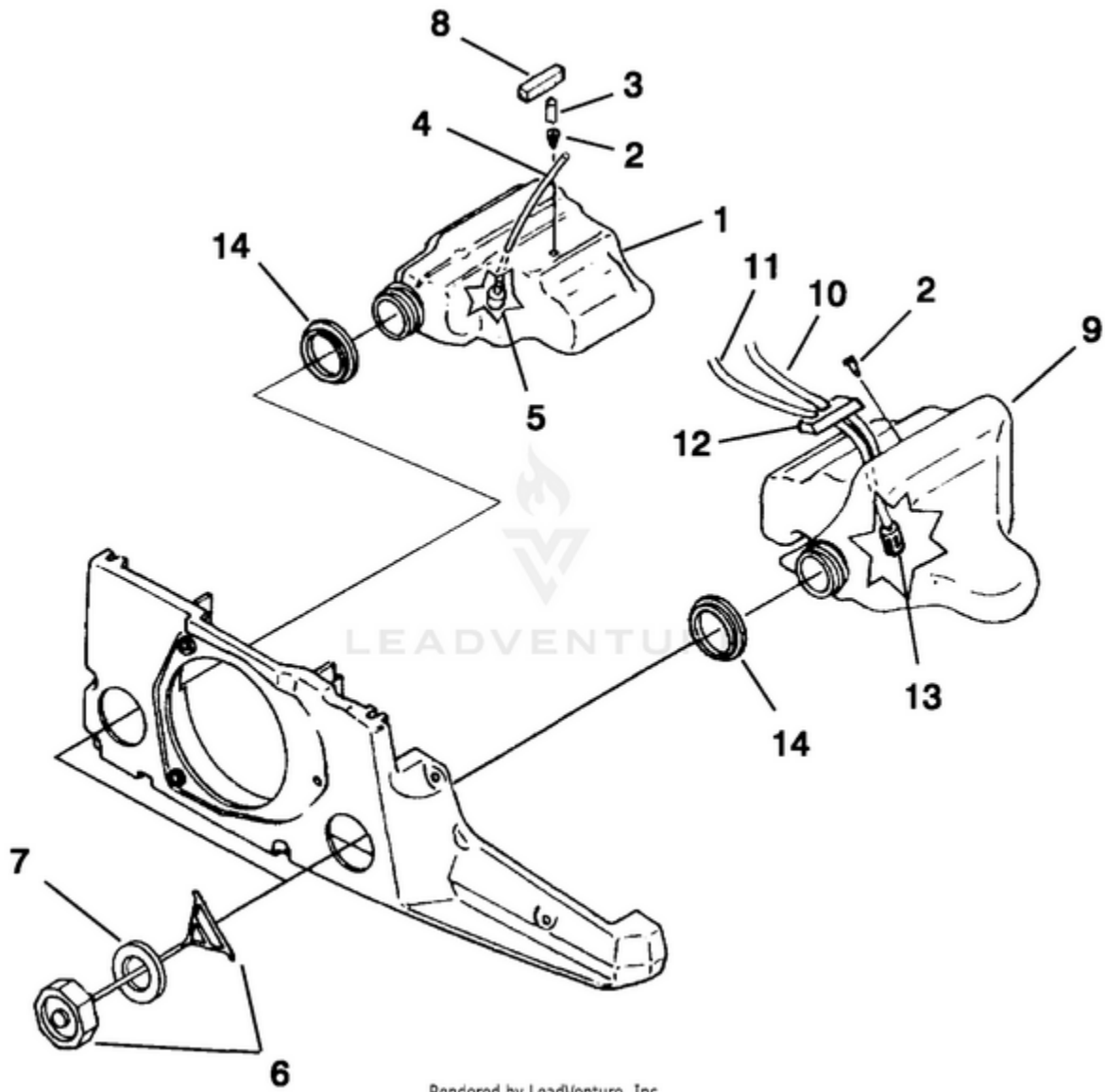
<b>Ref #</b>	<b>Part #</b>	<b>Description</b>	<b>Qty</b>
1	82545	SCREW- Thread Form (8-16 x 1 3/4")	3
2	82546	SCREW- Thread Form. (8-16 x 5/8")	
3	002071B	HOUSING-Starter Side	1
4	82558	SCREW-Thread Form. (10-14 x 1 1/8")	1
5	83056	WASHER-Lock	1
6	03720B	HOUSING- Drive Side	1
7	03132	BOLT Guide Bar	2
8	01805A	DECAL Panel	1
9	80864	SCREW-Hex Hd. (12-24 x 1")	2
10	95212	STOP- Chain	1
11	82537	SCREW- Thread Form (10-14 x 7/8")	1
12	01170	PLATE- Guide Bar (Outer)	1
13	82513	SCREW- Thread Form. (6-19 x 1/2")	1
14	98278	PLATE- Guide Bar (Inner)	1
15	651121	PIN- Adjusting	1
16	03139	SCREW- Guide Bar Adjusting	1
17	69599	RING- Snap	1
18	01183	BULB- Primer	1
19	06355	ROD- Choke	1
20	01802	SWITCH- Ign.	1
21	69889	BOOT Throttle Cable	1
22	64862	GROMMET Choke	1
23	01169	PANEL Control	1
24	02581C	CYLINDER COVER	1
25	01173A	SCREEN- Air Inlet	1
26	02506	LABEL Warning	1
27	01172	GROMMET Carburetor	1
28	01179A	PLUG- Idle Speed	1
29		GROMMET Carburetor	1
30	95792	SCREW- Round Hd. (10-24 x .710)	3
31	70810	NUT Square (10-24)	3
32	86334	PIN-Cotter	1
33	06635	GUIDE BAR FASTENER KIT	1



Rendered by LeadVenture, Inc.

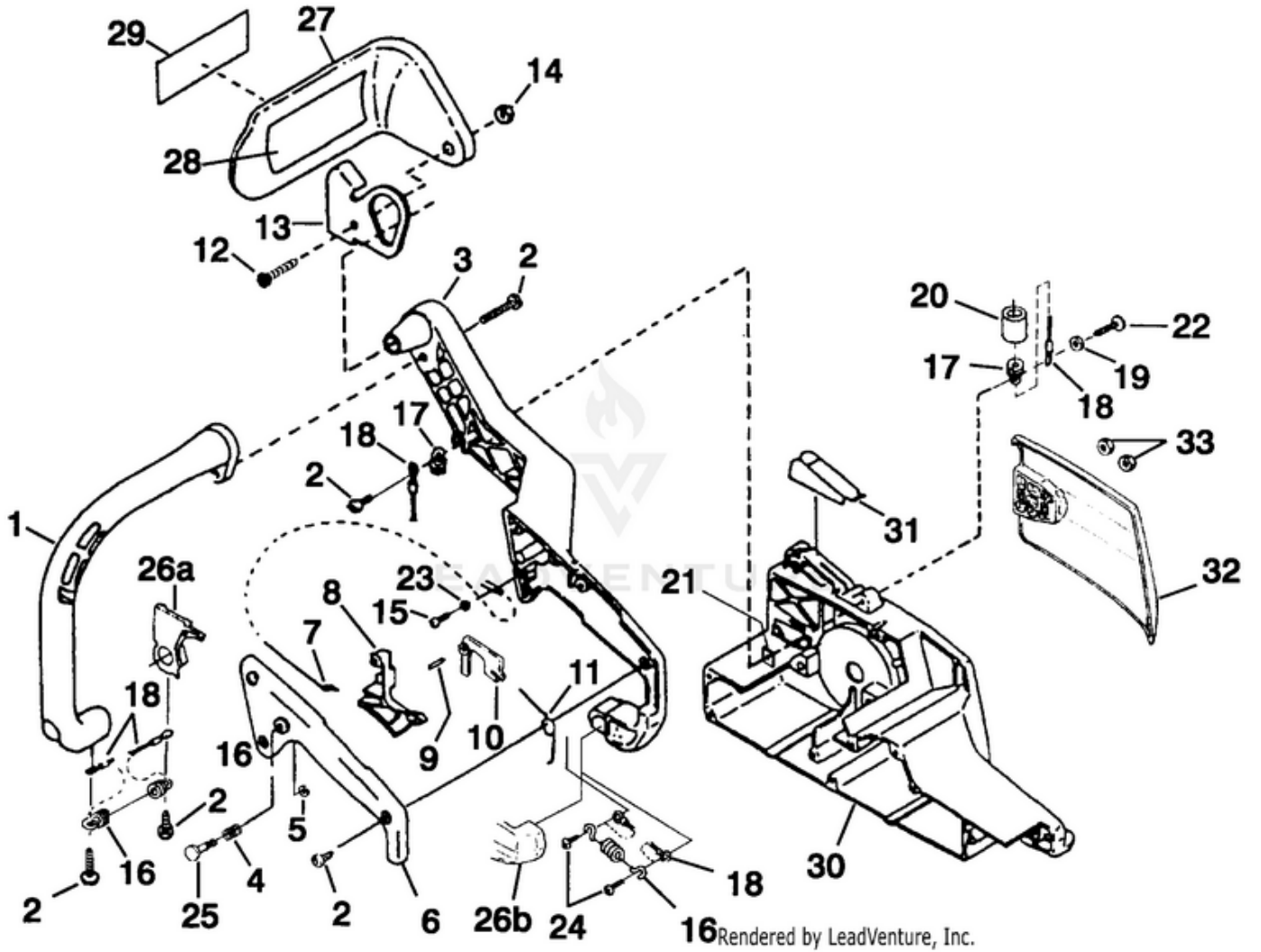
<b>Ref #</b>	<b>Part #</b>	<b>Description</b>	<b>Qty</b>
1	93561S	SPARK PLUG (CJ6Y)	1
	98217S	SPARK PLUG (RCJ6Y) (INTL.)	
2	82568	SCREW-PAN Hd. (10-24 x .800)	4
3	01544D	SHORT BLOCK	1
4		CYLINDER & GASKET	1
5		GASKET, CYLINDER	1
6	02579C	PISTON & PIN	1
7	01545B	RING, PISTON	2
8	64813	RING, WRIST PIN RETAIN,	2
9	98797	BEARING, BALL	2
10	70277	BEARING, NEEDLE	1
11	02577C	CYLINDER & CRANKCASE	1
12	80891	SCREW, Hex Hd. (12-24 X 7/8")	4
13	75078	KEY WOODRUFF	1
14	289221	RETAINING RING	1
15	82146	SCREW, FIL. HD. (8-32 X 5/8")	2
16	02802A	OIL PUMP	1
17	02548	TUBING, OIL (TO GUIDE BAR)	1
18	00229	WORM GEAR, LEFT HAND	1
19	93858	SEAL, CRANKSHAFT	1
20	98197A	SEAL, SHAFT	1

CS40 Chain Saw UT-10708-B 10708-B-UT CS40 Chain Saw UT-10708-B CS40 Chain Saw - Fuel & Oil Tanks



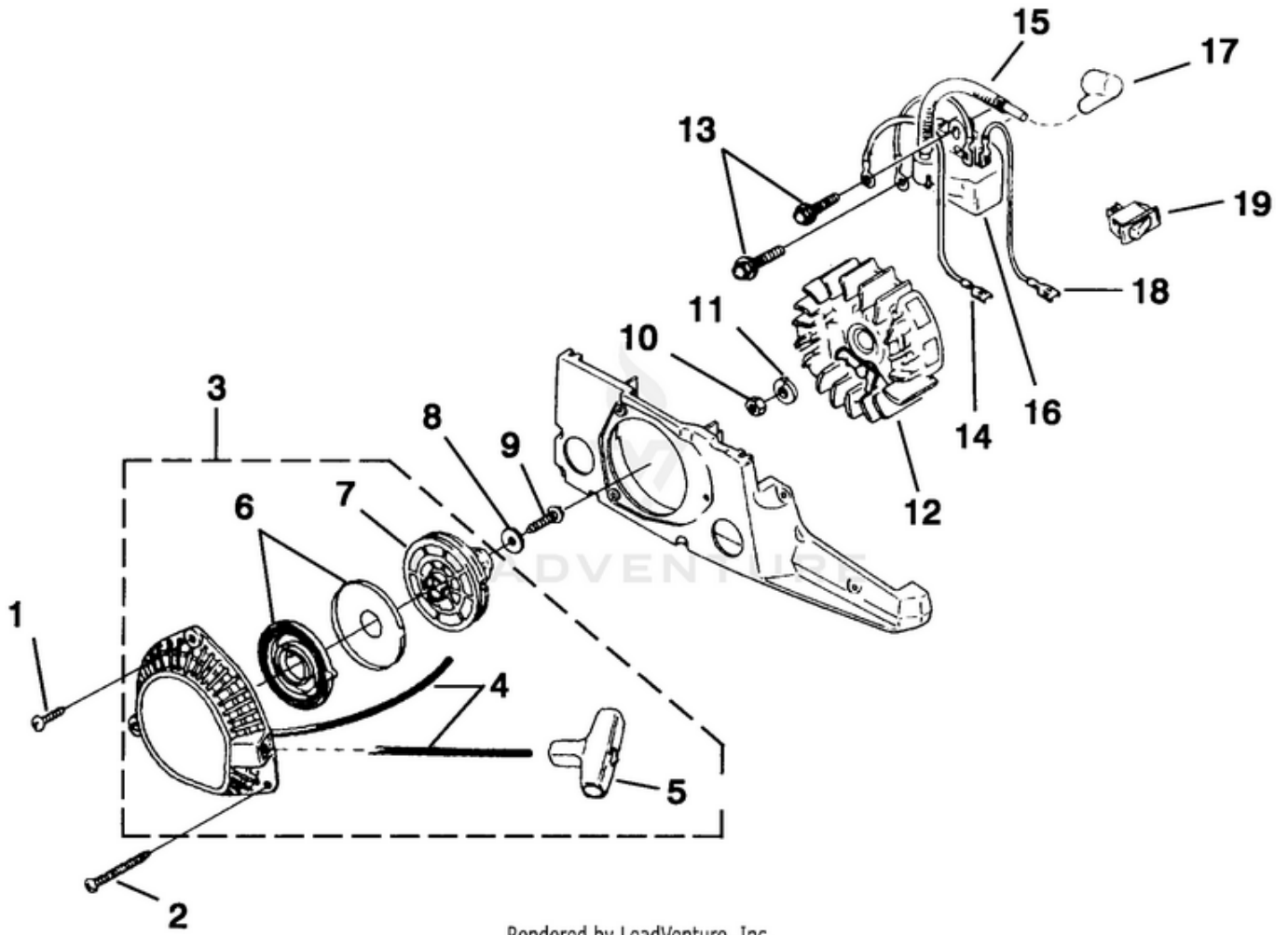
Rendered by LeadVenture, Inc.

<b>Ref #</b>	<b>Part #</b>	<b>Description</b>	<b>Qty</b>
1	06636	OIL TANK ASSY	1
2	03134	VALVE-Check	1
3	03585	PIN-Spirol	1
4	7031029	TUBING- Rubber (7 1/4")	1
5	68593	FILTER- Oil	1
6	00904A	CAP- Tank (w/Retainer)	1
7	02762A	GASKET Fuel Cap	1
8	69443	FILTER- Oil Tank Valve	1
9	06637	FUEL TANK ASSY	1
2	03134	VALVE- Check	1
6	00904A	CAP- Tank (w/Retainer)	1
7	02762A	GASKET Fuel Cap	1
10	7031021	TUBING-Rubber (5 1/4")	1
11	7031036	TUBING- Rubber (9")	1
12	02952	FILTER- Foam	1
13	49422	FILTER- Fuel	1
14	00993	SAWDUST SEAL	2



16 Rendered by LeadVenture, Inc.

<b>Ref #</b>	<b>Part #</b>	<b>Description</b>	<b>Qty</b>
	07217	HANDLE KIT	1
1	01175	HANDLE BAR	1
2	82546	SCREW, Thread Form (8-16 X 5/8")	7
3	07164	HANDLE-Rear	1
4	95020	SPRING-Compression	1
5	58409	RING, Retaining	1
6	00210C	COVER-Rear Handle	1
7	00997D	CABLE-Throttle	1
8	03806A	TRIGGER & SWIVEL	1
9	70253	PIN-Dowel	1
10	93385A	LOCK-Trigger	1
11	02316	SPRING-Trottle	1
12	80402A	SCREW-Hex Cap	1
13	00258	MOUNTING BRACKET Handguard	1
14	81258	NUT-Flange Hex	1
15	82513	SCREW, Thread Form (#6-19 X 7/8")	2
	07214	ISOLATOR KIT	1
16	01168	SPRING-Extension	2
17	02813	SPRING-Extension	1
18	03583	RETAINER-Spring	3
19	84008	WASHER-Flat (#10)	1
20	01813	SLEEVE-Spring	1
21	70810	NUT-Square (#10-24)	1
22	82562	SCREW-Pan Hd. (#10-24 X 7/8")	1
23	84123	WASHER-Flat	2
24	82546	SCREW-Thread Form (8-16 X 1/2)	2
25	95671	PIN-Throttle Lock	1
26A	002071B	HOUSING-Starter Side	1
26B		HOUSING-Starter Side	1
27	95088A	HANDGUARD	1
28	02661	DECAL-Kickback	1
29	00317A	DECAL-Kickback	1
30	03720B	ENGINE HOUSING-(Drive Side)	1
31	00234	COVER-Snap On	1
32	00226A	DRIVE CASE COVER	1
33	81196	NUT Hex (5/16"-18)	2



Rendered by LeadVenture, Inc.

<b>Ref #</b>	<b>Part #</b>	<b>Description</b>	<b>Qty</b>
1	82546	SCREW-Thread Form (8-16 x 5/8")	4
2	82544	SCREW-Thread Form (8-16 x 2")	1
3	04778A	STARTER - COMPLETE	1
4	9789901	ROPE, STARTER (46")	1
5	02264	GRIP, STARTER	1
6	97908	SPRING & CONTAINER	1
7	97768B	PULLEY	1
8	94062	WASHER	1
9	82409	SCREW Plastite (10-14 x 5/8")	1
10	81124A	NUT, JAM (3/8" X 24)	1
11	83102	WASHER LOCK (3/8")	1
12	00994C	ROTOR & STARTER PAWLS	1
13	88052	SCREW, Sems Hex Hd. (10-24 x 7/8")	2
14	01821A	IGNITION GROUND WIRE	1
15	95098	SLEEVE, Insulating	1
16	01546	IGNITION MADULE	1
17	02597	SPARK PLUG BOOT KIT	1
18	01822A	IGNITION WIRE	1
19	01802	SWITCH	1