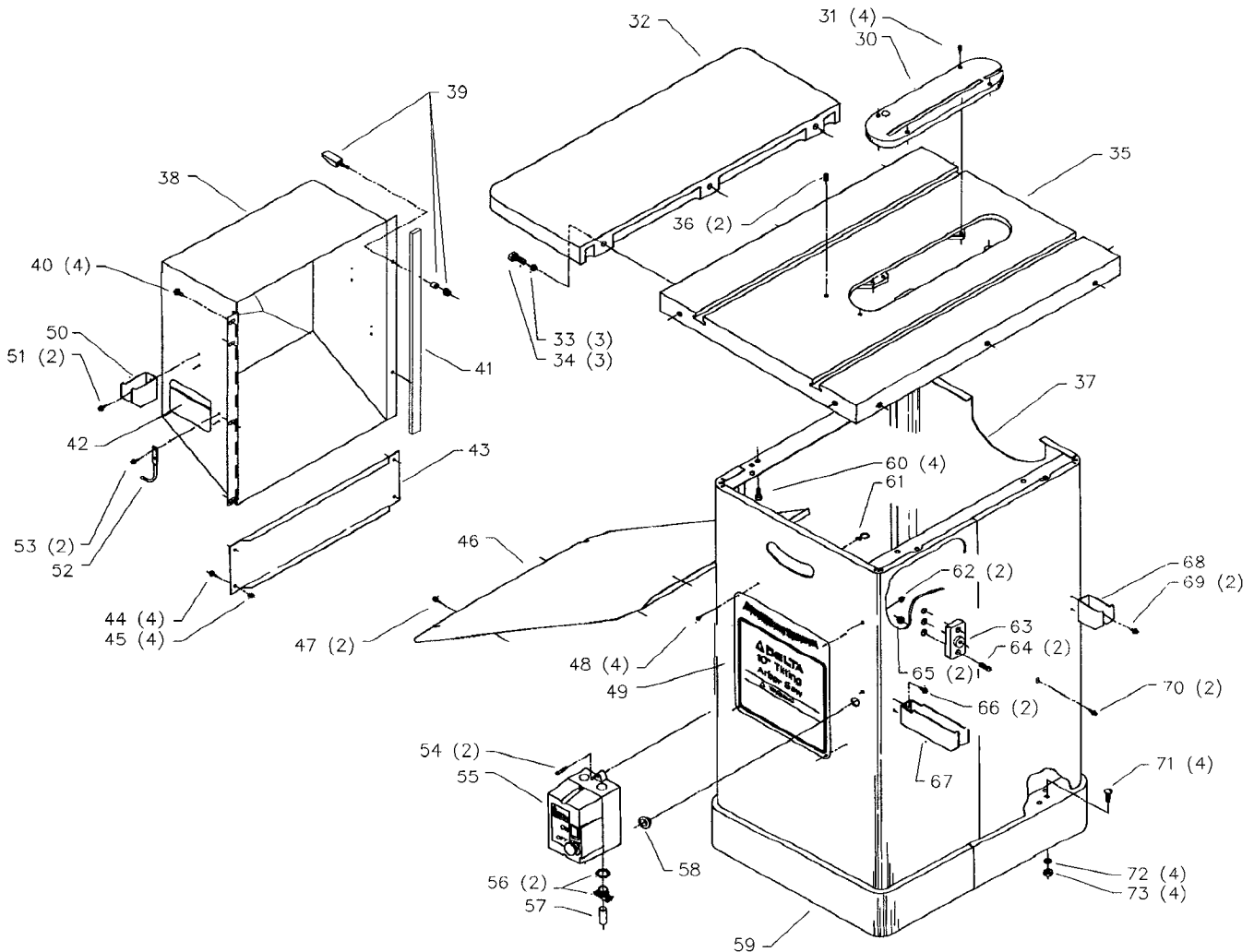
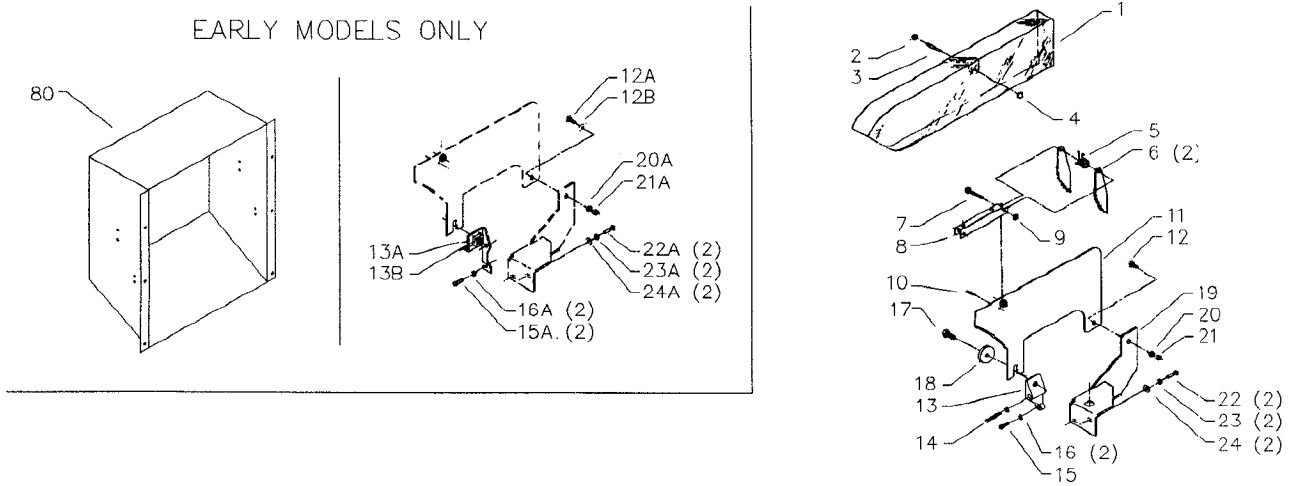


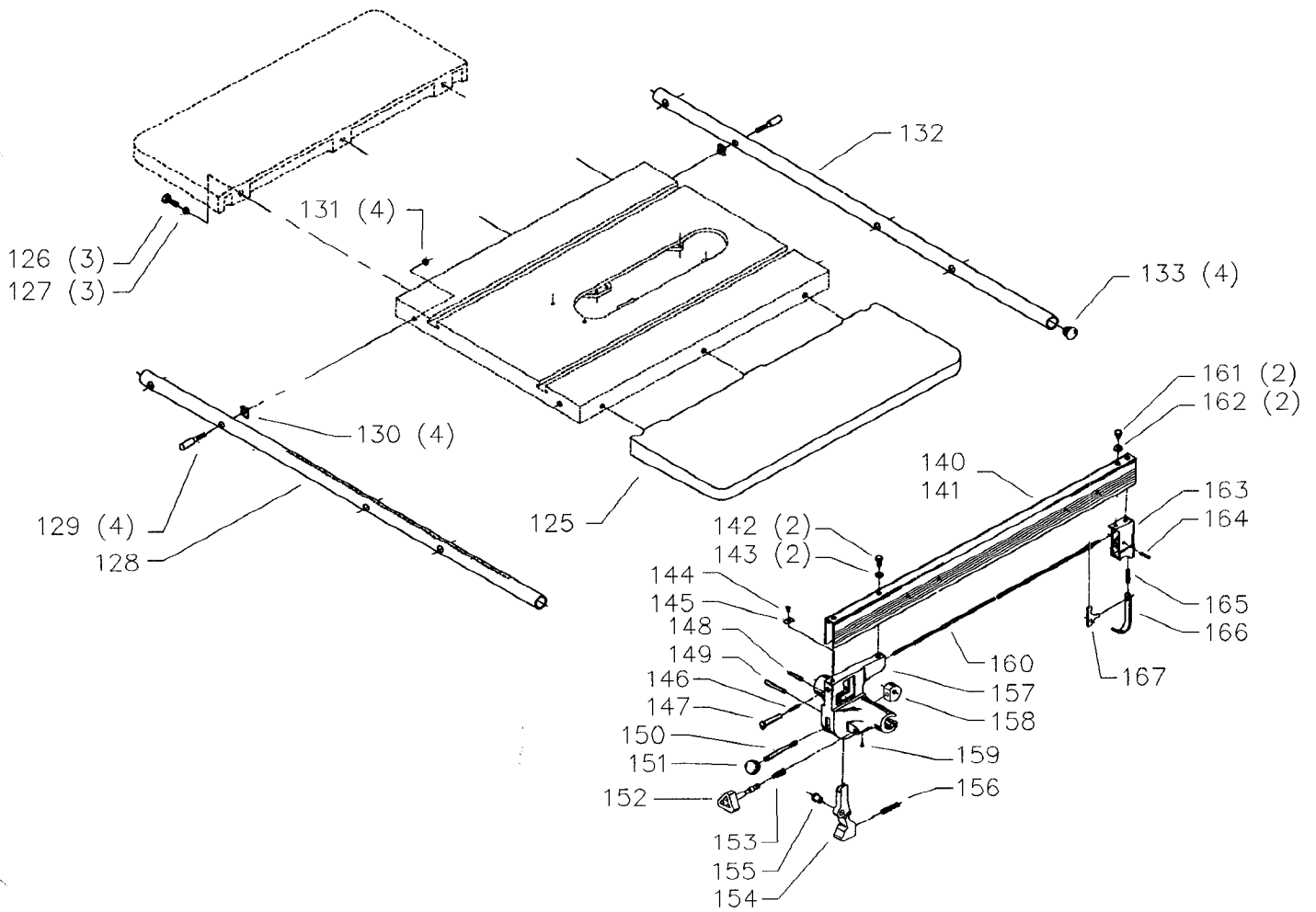
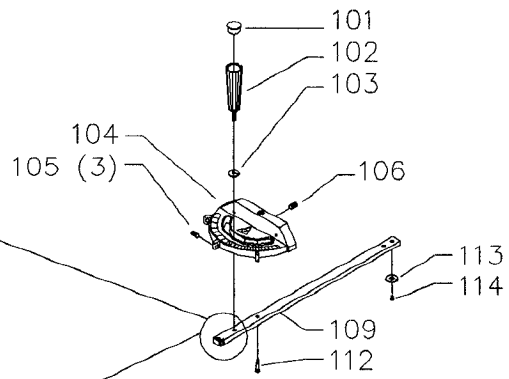
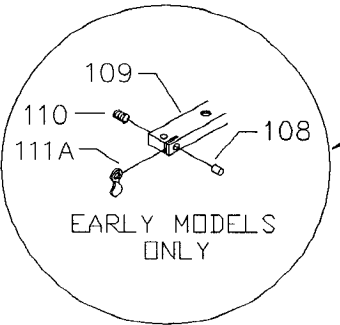
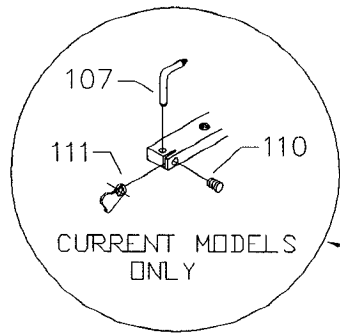
EARLY MODELS ONLY



REPLACEMENT PARTS

REF NO	PART NUMBER	DESCRIPTION	REF NO	PART NUMBER	DESCRIPTION
*	34-412	BLADE GUARD ASSY, CONST OF:	30	34-154	TABLE INSERT, INCL:
*	1086935	BLADE GUARD, CONST OF:	31	901-04-461-5297	1/4-28 X 3/8" LOCK SCREW
1	1086334	GUARD	32	43-349	EXTENSION WING, INCL:
2	1086388	NUT	33	904-10-031-2097	WASHER
3	1087811	PIN	34	901-01-060-9964	7/16-20 X 1 1/4" HEX HD SCREW
4	1086388	PUSH NUT CAP	35	422-35-391-0002	T-SLOT TABLE
5	1086353	SPRING	36	901-04-293-1395	5/16-18 X 3/4" HEX SOC SET SCREW
6	422-16-047-0001	KICK BACK FINGER	37	422-35-318-0002	CABINET ASSY, INCL:
7	422-04-071-0007	PIN	38	36-828	HINGED MOTOR COVER (Current Models Only), INCL:
8	1086337	PIVOT BRACKET			LATCH
9	1086387	NUT	39	537-85-004-0001	#10 X 1/2" HEX WASHER HD SCREW
10	905-01-010-6729	5/32 X 11/16" SPRING PIN	40	901-05-213-1498	GASKET
11	1086911	SPLITTER	41	400-06-416-0001	WARNING LABEL
12	901-11-023-1476	5/16-18 X 5/8" CARRIAGE HD SCREW (Current Models Only)	42	422-04-752-0175	SIDE PANEL
12A	901-01-060-0611	1/4-20 X 1/2" HEX HD SCREW (Early Models Only)	43	422-35-125-0001	#10-32 X 3/8" HEX WASHER HD SCREW
12B	904-01-031-2934	1/4" FLAT WASHER (Early Models Only)	44	901-02-763-1525	#10-32 KEPS NUT
13	422-04-014-0037	SPLITTER BRACKET (Current Models Only)	45	902-01-293-1513	DUST CHUTE
13A	422-04-314-0017	BRACKET ASSY (Early Models Only)	46	422-35-026-0002	#10 X 1/2" HEX HD SCREW
13B	902-03-013-1063	5/16-18 TINNEMAN NUT (Early Models Only)	47	901-05-213-1498	RIVIT
14	901-03-010-0230	1/4-20 X 2" HEX SOC HD SCREW (Current Models Only)	48	1087794	NAMEPLATE
15	901-03-010-0755	1/4-20 X 3/4" HEX SOC HD SCREW (Current Models Only)	49	422-35-137-0001	MITER GAGE HOLDER
15A	901-03-010-3309	1/4-20 X 5/8" HEX SOC HD SCREW (Early Models Only)	50	422-35-014-0001	#10 X 1/2" HEX HD SCREW
16	904-01-031-2934	1/4" FLAT WASHER (Current Models Only)	51	901-05-213-1498	WRENCH HOOK
16A	904-02-020-1702	1/4" LOCK WASHER (Early Models Only)	52	422-35-060-0001	#10 X 1/2" HEX WASHER HD SCREW
17	901-01-060-0649	5/16-18 X 1" HEX HD SCREW	53	901-05-213-1498	#10-32 X 7/8" HEX SOC HD SCREW
18	422-03-072-0001	PLATE	54	901-03-010-8073	MOTOR STARTER
19	422-19-089-0003	BRACKET	55	438-01-016-0186	CORD CONNECTOR
20	904-01-010-1620	FLAT WASHER (Current Models Only)	56	438-01-004-0007	INSULATOR
20A	904-02-020-1702	1/4" LOCK WASHER (Early Models Only)	57	438-01-011-0054	BUSHING INSULATOR
21	902-01-010-1300	5/16-18 HEX NUT (Current Models Only)	58	438-01-011-0051	SUB BASE
21A	902-01-120-1034	1/4-20 HEX NUT (Early Models Only)	59	422-35-305-0001	5/16-18 X 1/2" HEX WASHER HD SCREW
22	901-01-060-0626	1/4-20 X 3/4" HEX HD SCREW (Current Models Only)	60	1231355	CABLE TIE
22A	901-01-060-0626	1/4-20 X 3/4" HEX HD SCREW (Early Models Only)	61	438-01-004-0083	#10-32 KEPS NUT
23	904-01-010-1614	FLAT WASHER (Current Models Only)	62	902-01-293-1513	BRACKET
23A	904-02-020-1702	1/4" LOCK WASHER (Early Models Only)	63	422-03-089-0002	5/16-18 X 5/8" FILL HD SCREW
24	904-02-020-1702	1/4" LOCK WASHER (Current Models Only)	64	901-02-050-0704	5/16-18 FLANGE NUT
24A	904-01-031-2934	1/4" FLAT WASHER (Early Models Only)	65	902-01-503-1514	#10 X 1/2" HEX WASHER HD SCREW
			66	901-05-213-1498	RIP FENCE HOLDER
			67	422-35-014-0002	RIP FENCE HOLDER
			68	422-35-014-0001	#10 X 1/2" HEX WASHER HD SCREW
			69	901-05-213-1498	#10 X 1/2" HEX WASHER HD SCREW
			70	901-05-213-1498	5/16-18 X 5/8" CARRIAGE HD SCREW
			71	901-11-023-1476	FLAT WASHER
			72	904-01-010-1620	5/16-18 HEX NUT
			73	902-01-010-1300	MOTOR COVER (Early Models Only)
			80	34-829	

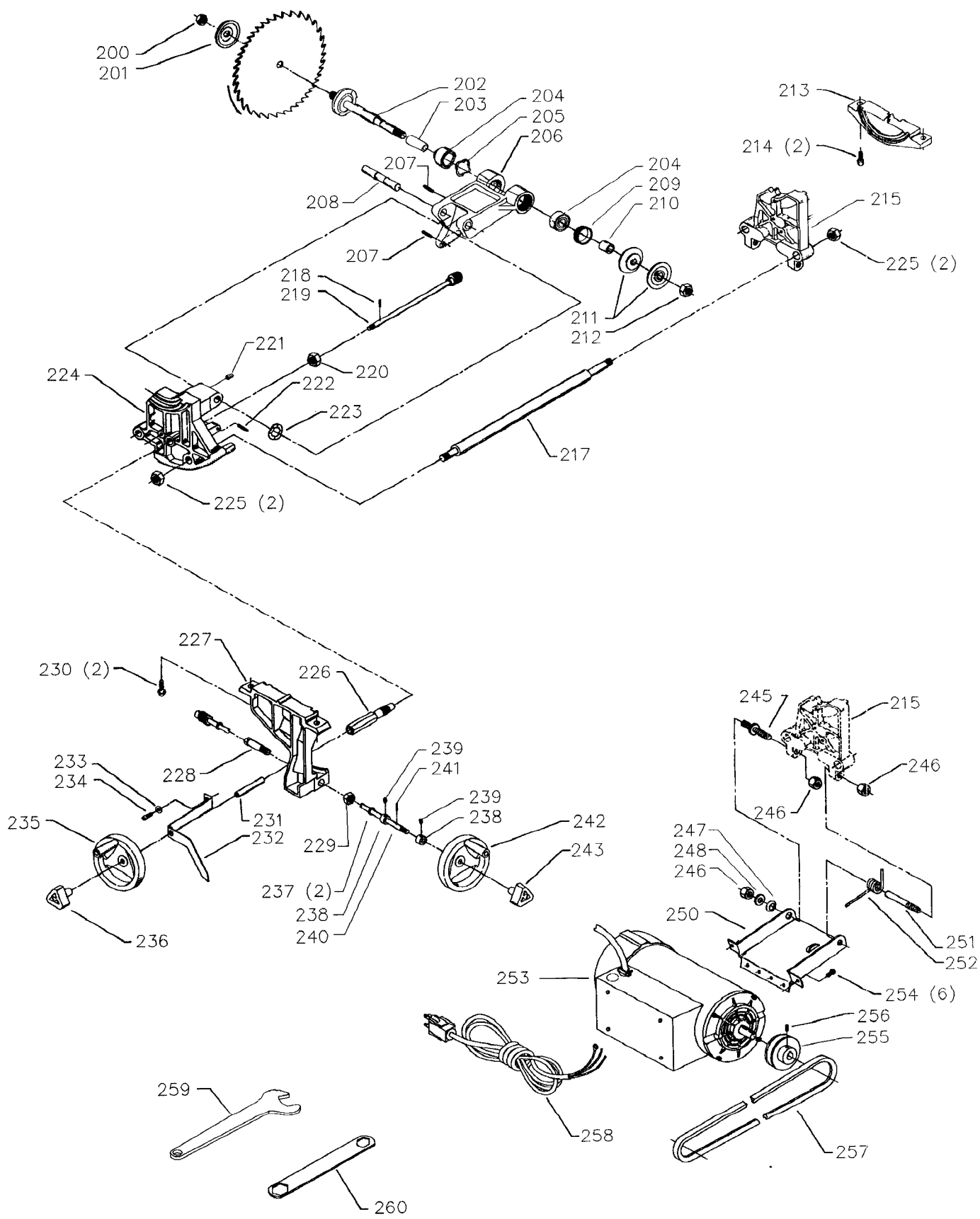
* NOT SHOWN ASSEMBLED



REPLACEMENT PARTS

REF NO	PART NUMBER	DESCRIPTION	REF NO	PART NUMBER	DESCRIPTION
*	34-895	MITER GAGE ASSY, CONST OF:	*	34-896	JET LOCK MICRO SET RIP FENCE, CONST OF:
101	422-02-074-0001	HOLE PLUG	140	422-19-043-0001	FENCE BODY - ALUMINUM <i>(Current Models Only)</i>
102	422-02-060-0003	HANDLE	141	422-04-343-5002	FENCE BODY - STEEL <i>(Early Models Only)</i>
103	904-07-010-5555	1/4" FIBER WASHER	142	901-01-060-0677	3/8-24 X 1/2" HEX HD SCREW
104	422-01-355-0004	MITER GAGE BODY, INCL:	143	904-01-033-1451	FLAT WASHER
105	901-04-150-1181	1/4-28 X 3/16" HEX SOC SET SCREW	144	901-02-010-0551	#10-32 X 1/4" ROUND HD SCREW
106	901-04-150-9428	#08-32 X 1/2" HEX SOC SCREW	145	951-01-020-7849	POINTER
107	422-01-075-0001	POINTER	146	928-01-021-5301	SPRING
108	905-01-033-1754	(DIN 1481) M5 X 6MM SPRING PIN <i>(Early Models Only)</i>	147	422-04-105-5001	SLEEVE
109	422-04-004-0001	BAR	*	422-04-312-5008	CLAMP ASSY, INCL:
110	901-04-150-1181	1/4-28 X 3/16" HEX SOC SET SCREW	148	422-04-071-5005	PIN
111	422-01-088-0004	STOP LINK <i>(Current Models Only)</i>	149	422-04-071-5004	PIN
111A	422-01-088-0002	STOP LINK <i>(Early Models Only)</i>	150	422-04-111-5002	LEVER
112	422-01-112-0001	SCREW	151	931-01-011-4091	BALL HANDLE
113	422-04-072-0001	PLATE	152	422-04-351-5002	PINION ASSY
114	901-02-030-5750	1/4-28 X 5/16" FLAT HD SCREW	153	928-01-201-5898	SPRING
*	34-766	JET LOCK FENCE W/GUIDE RAILS & EXTENSION WING, CONST OF:	154	422-04-327-5002	FRONT CLAMP ASSY, INCL:
125	43-349	EXTENSION WING, INCL:	155	904-08-021-4550	RUBBER BUSHING
126	901-01-060-9964	7/16-20 X 1 1/4 HEX HD SCREW	156	928-01-041-4123	SPRING
127	904-10-031-2097	WASHER	157	422-04-012-5005	CLAMP BODY
*	34-812	RAILS W/HARDWARE, INCL:	158	422-04-042-5005	ECCENTRIC
128	422-04-055-0001	FRONT GUIDE RAIL	159	901-04-160-6218	1/4-20 X 1/4" HEX SOC SET SCREW
129	422-04-112-5007	SPECIAL SCREW	160	422-04-108-5001	ROD
130	422-04-104-0001	SPACER	161	901-01-060-0605	5/16-18 X 1/2" HEX HD SCREW
131	902-01-010-1207	3/8-24 HEX NUT	162	904-01-010-1620	FLAT WASHER
132	422-04-055-0002	REAR GUIDE RAIL	163	422-04-010-5002	BLOCK
133	961-01-010-7462	END PLUG	164	905-04-071-4459	1/4" X.797 DOWEL PIN
			165	928-01-041-4118	COIL SPRING
			166	422-04-027-0001	HOOK
			167	422-04-067-5001	LEVER

* NOT SHOWN ASSEMBLED



REPLACEMENT PARTS

REF NO	PART NUMBER	DESCRIPTION	REF NO	PART NUMBER	DESCRIPTION
200	902-01-200-9848	ARBOR NUT - LH	230	901-02-763-1526	5/16-18 X 7/8" HEX WASHER HD SCREW
201	422-04-103-5001	FLANGE	231	422-19-104-0001	SPACER
202	422-19-303-0002	ARBOR ASSY	232	422-19-075-0001	POINTER
203	1087857	SPACER	233	904-01-010-1614	FLAT WASHER
204	1086894	BALL BEARING	234	901-03-010-3309	1/4-20 X 5/8" HEX SOC HD SCREW
205	928-06-020-7382	LOAD SPRING	235	1086491	HANDWHEEL ASSY
206	422-02-014-0017	ARBOR BRACKET	236	422-03-138-0002	KNOB
207	905-01-010-2710	3/16" X 7/8" SPRING PIN	237	904-07-010-5554	3/8" FIBER WASHER
208	952-01-101-3267	SHAFT	238	426-03-388-0001	COLLAR ASSY, INCL:
209	902-07-020-7176	1 5/8-20 BEARING NUT	239	901-04-150-0208	1/4-20 X 1/4" HEX SOC SET SCREW
210	422-19-104-0005	SPACER	240	1087893	TILT SHAFT ASSY, INCL:
211	422-19-130-0001	PULLEY HALF	**	905-01-010-2716	1/8" X 9/16" SPRING PIN
212	902-01-020-1226	5/8-18 JAM NUT	241	905-01-010-2711	1/8" X 5/8" SPRING PIN
213	422-02-014-0010	TRUNNION BRACKET	242	1086491	HANDWHEEL ASSY
214	901-02-763-1526	5/16-18 X 7/8" HEX WASHER HD SCREW	243	422-03-138-0002	KNOB
215	422-35-095-0002	REAR TRUNNION	245	422-35-111-0001	SHOULDER SCREW
217	422-35-004-0001	TIE BAR	246	902-01-020-1266	1/2-13 JAM NUT
218	905-01-010-2711	1/8" X 5/8" SPRING PIN	247	928-05-013-1509	SPRING WASHER (See Service Note A)
219	422-35-406-0001	ELEVATING SHAFT ASSY, INCL:	248	904-01-010-1636	FLAT WASHER
**	905-01-010-2716	1/8" X 9/16" SPRING PIN	250	422-35-014-0004	MOTOR PLATE
220	902-01-020-1226	5/8-18 JAM NUT	251	422-35-111-0002	STUD
221	901-04-141-9152	1/4-20 X 5/16" HEX SOC SET SCREW	252	928-03-013-1510	TORSION SPRING
222	905-01-010-2706	3/16" X 1" SPRING PIN	253	82-010	MOTOR, INCL:
223	928-06-013-1779	11/16" WAVE WASHER	254	901-02-763-1515	1/4-20 X 5/8" HEX WASHER HD SCREW
224	422-35-095-0001	FRONT TRUNNION	255	41-203	MOTOR PULLEY, INCL:
225	902-01-283-1393	5/8-18 LOCK NUT	256	901-04-150-0231	5/16-18 X 3/8" HEX SOC SET SCREW
226	422-35-105-0001	SLEEVE	257	925-01-033-1793	V-BELT - 29" OD
227	1087233	FRONT TRUNNION, INCL:	258	438-01-302-2013	POWER CORD
228	422-35-042-0001	ECCENTRIC	259	955-01-050-1472	WRENCH
229	902-01-020-9145	9/16-18 HEX NUT	260	422-39-101-0001	WRENCH-7/8 X 1/2"

* NOT SHOWN ASSEMBLED

** NOT SHOWN

SERVICE NOTES:

A - Must be assembled on stud shoulder with concave face toward motor.

STANDARD SAFETY EQUIPMENT

In order to promote tool safety, Delta International Machinery Corp. strictly enforces the policy of repairing or replacing any damaged or missing standard safety equipment on machines presented to Delta Authorized Service Center for service/repairs. Any product which is presented to a Delta Authorized Service Center for repairs which contains missing or damaged standard safety equipment will have that equipment repaired or replaced and the customer will be charged for any such service/repairs. Customers can avoid such charges only if the missing safety component is supplied to the service center at the time of repair.

This parts list is provided to aid in obtaining service parts. Copies of the instruction and maintenance literature can be obtained through the Technical Publications Department or through your local service outlet.