

RYOBI CIRCULAR SAW – MODEL NUMBER CSB131

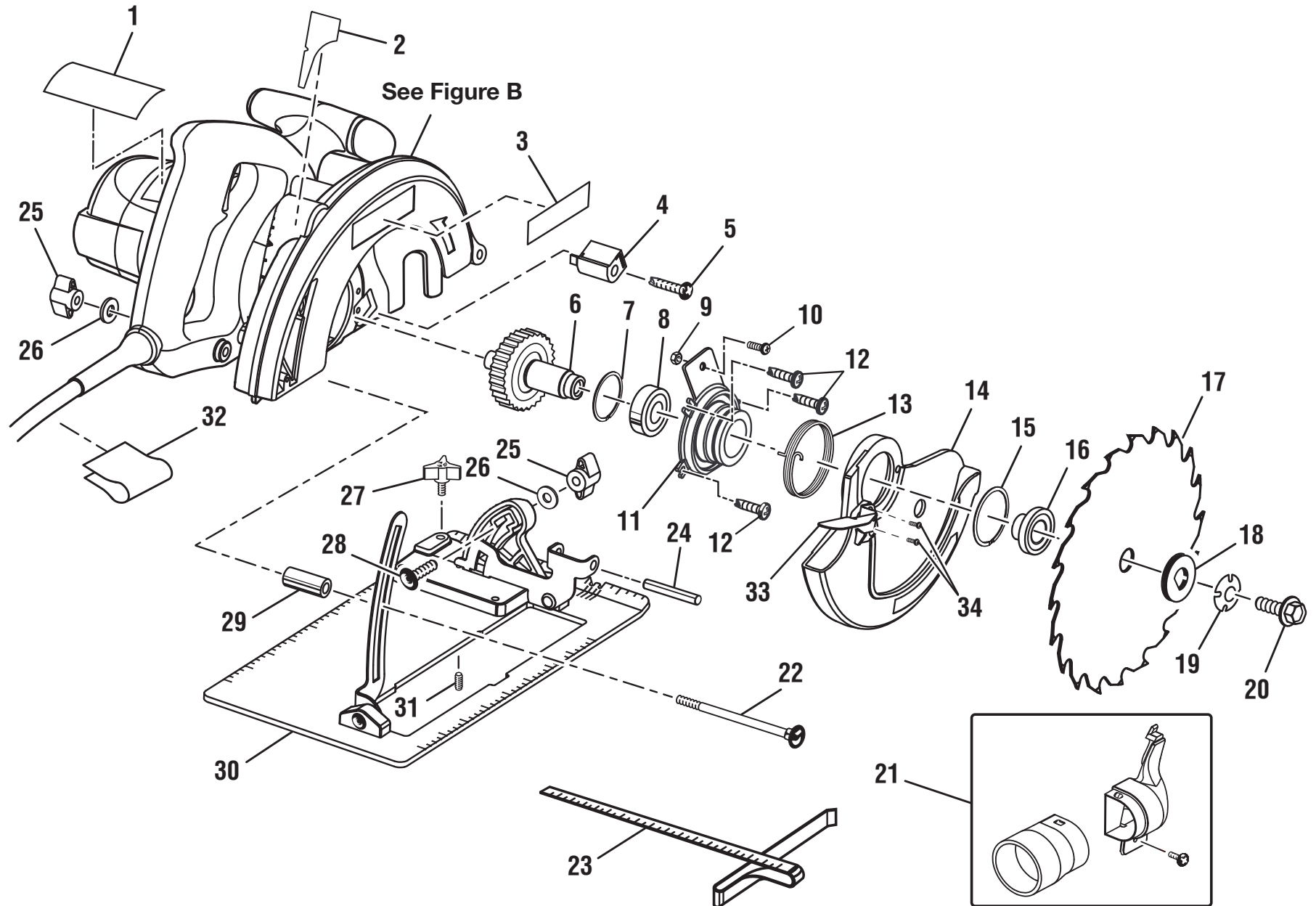


FIGURE A

RYOBI CIRCULAR SAW – MODEL NUMBER CSB131

The model number will be found on a label attached to the motor housing. Always mention the model number in all correspondence regarding your **CIRCULAR SAW** or when ordering parts.

PARTS LIST (Figure A)

KEY NO.	PART NUMBER	DESCRIPTION	QTY	KEY NO.	PART NUMBER	DESCRIPTION	QTY
1	9429809	Data Label.....	1	21	982829001	Dust Nozzle Kit	1
2	940266003	Cutting Depth Label.....	1	22	621433007	Carriage Bolt (1/4-20 x 4 in.).....	1
3	9429810	Logo Label.....	1	23	690119002	Rip Guide	1
4	974900001	Bumper	1	24	6898001	Roll Pin.....	1
5	982492131	Screw (8-32 x 3/4 in., Fil. Hd.)	1	25	5526604	Adjustment Knob	2
6	300003036	Gear and Spindle Assembly	1	26	931744059	Flat Washer	2
7	617096002	Retaining Ring	1	27	550828002	Knob Bolt.....	1
8	615972004	Ball Bearing.....	1	28	6610406	Carriage Bolt (1/4-20 x 1 in.).....	1
9	680022003	Hex Nut.....	1	29	5542303	Spacer	1
10	6621205	Screw (M4 x 8 mm, Pan Hd.).....	1	30	3053006	Base Assembly	1
11	6447902	Lower Blade Guard Support.....	1	31	660169028	Screw (8-32 x 3/8 in.).....	1
12	610122-003	Screw (8-32 x 3/8 in., Pan Hd.).....	3	32	9426410	Cord Label	1
13	967952001	Torsion Spring.....	1	33	5918001	Handle Lever.....	1
14	6447602	Lower Blade Guard.....	1	34	615954003	Screw (8-18 x 3/8 in., Pan Hd. T.F.).....	2
15	718602804	Retaining Ring	1	Not Shown:			
16	967887003	Inner Flange Bushing	1		3063679	Carrying Case	1
17	680783004	Saw Blade.....	1		974716001	Wrench.....	1
18	998463001	Outer Blade Washer.....	1		983000127	Operator's Manual	
19	623547002	Spring Washer	1		2-20-12		
20	612999001	Blade Screw.....	1		(REV:04)		

RYOBI CIRCULAR SAW – MODEL NUMBER CSB131

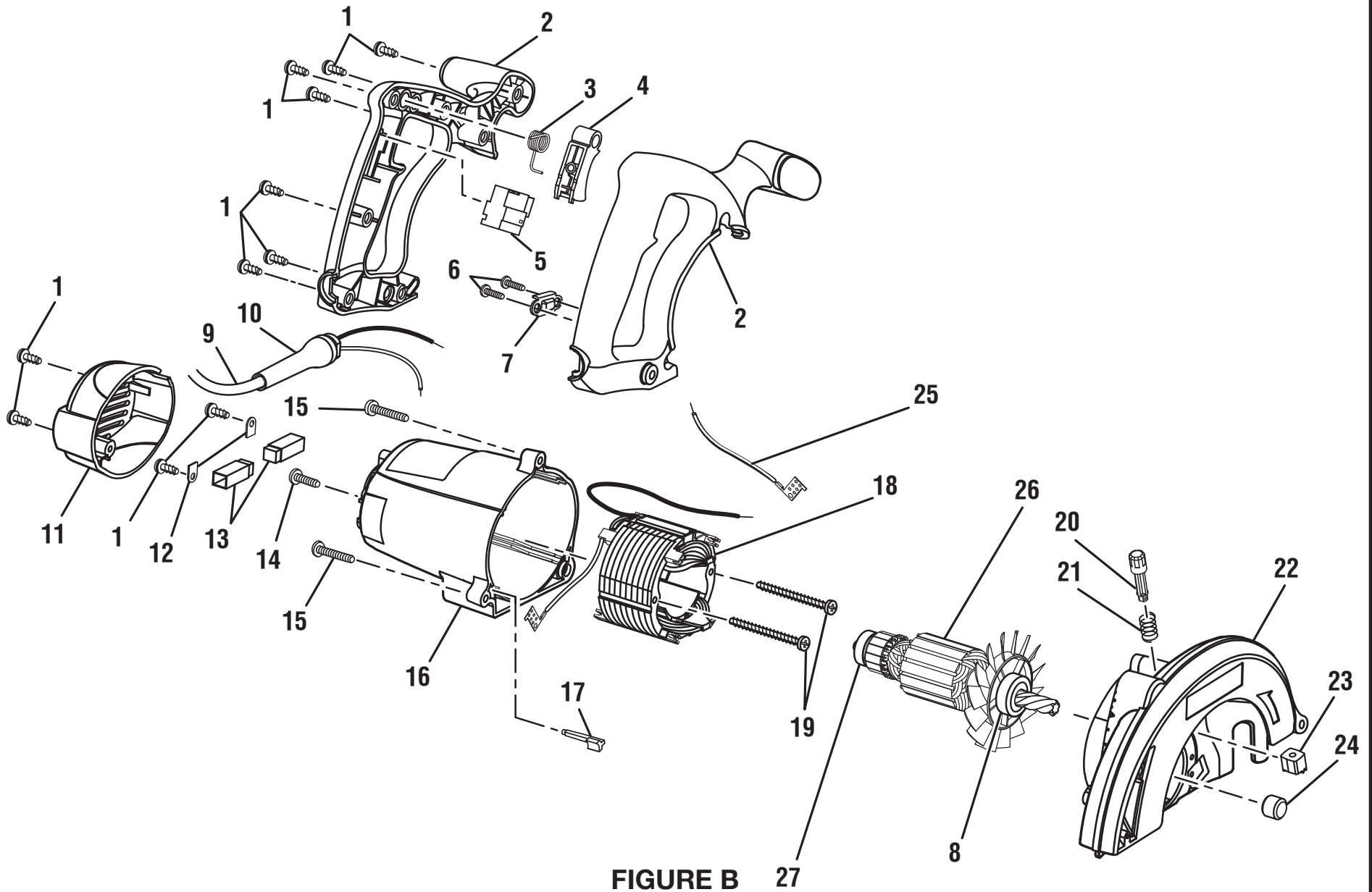


FIGURE B

⚠ WARNING: Improper repair of a double insulated tool can result in damages to the double insulation system possibly causing electrical shock or electrocution. Any repairs requiring disassembly of your tool requires safety testing and should only be performed by a Ryobi Authorized Service Center. For the service center nearest you call 1-800-525-2579.

RYOBI CIRCULAR SAW – MODEL NUMBER CSB131

The model number will be found on a label attached to the motor housing. Always mention the model number in all correspondence regarding your **CIRCULAR SAW** or when ordering parts.

PARTS LIST (Figure B)

KEY NO.	PART NUMBER	DESCRIPTION	QTY.
1	968702007	Screw (8-16 x 1/2 in., Pan Hd.)	11
2	200235004	Handle Assembly	1
3	6880001	Torsion Spring	1
4	5532203	Switch Trigger	1
5	7621301	Switch	1
6	6620613	Screw	2
7	6933702	Clamp Plate.....	1
8	680894001	Ball Bearing (6001 LLU)	1
9	7335601	Cord	1
10	5927401	Bend Relief.....	1
11	5917901	End Cap	1
12	617800002	Clamp.....	2
13	968173001	Brush Assembly	2
14	982500131	Screw (10-24 x 3/4 in., Pan Hd.)	1
15	982500137	Screw (10-24 x 1-1/8 in., Pan Hd.).....	2
16	5531904	Motor Housing	1
17	5579301	Wire Holder	1
18	200215006	Field Assembly.....	1
19	972147028	Screw (8-10 x 2-1/8 in., Pan Hd.).....	2
20	5542103	Shaft - Gear Rack	1
21	621342000	Spring.....	1
22	640544002	Upper Blade Guard	1
23	6889601	Rack - Shaft Lock	1
24	968149003	Sleeve Bearing	1
25	290074003	Lead Wire	1
26	200216010	Armature Assembly (Incl. Key Nos. 8 and 27).....	1
27	680141020	Ball Bearing (608zz).....	1