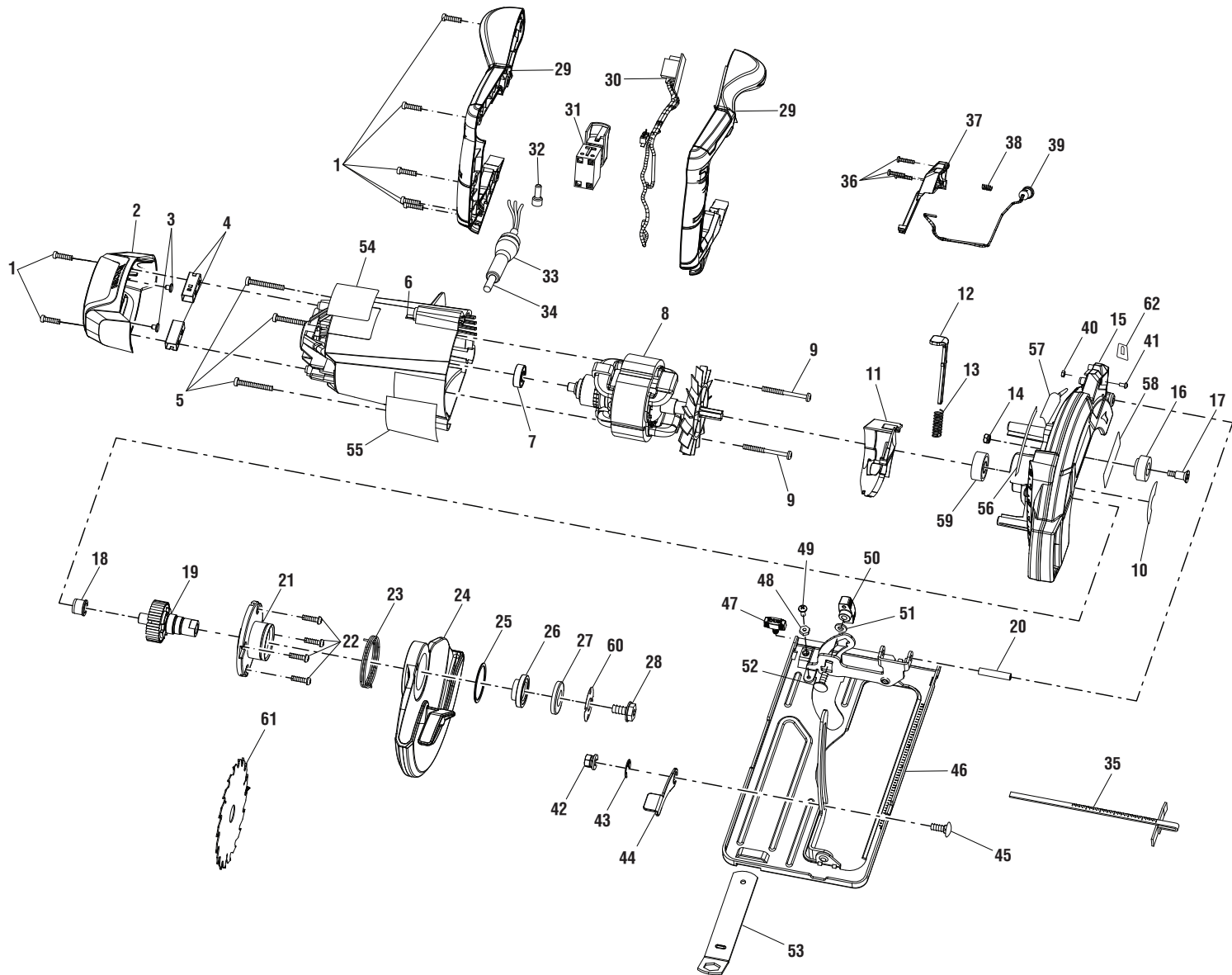


# RYOBI 7-1/4 in. CIRCULAR SAW – MODEL NUMBER CSB143LZK



**⚠ WARNING:** Improper repair of a double insulated tool can result in damages to the double insulation system possibly causing electrical shock or electrocution. Any repairs requiring disassembly of your tool requires safety testing and should only be performed by a Ryobi Authorized Service Center. For the service center nearest you call 1-800-525-2579.

## RYOBI 7-1/4 in. CIRCULAR SAW – MODEL NUMBER CSB143LZK

The model number will be found on a label attached to the motor housing. Always mention the model number in all correspondence regarding your **CIRCULAR SAW** or when ordering parts.

KEY NO.	PART NUMBER	DESCRIPTION	QTY	KEY NO.	PART NUMBER	DESCRIPTION	QTY
1	660208052	Screw (M4 x 16 mm, Pan Hd.).....	7	34	730372030	Power Cord.....	1
2	524937002	End Cover.....	1	35	690119009	Rip Guide.....	1
3	562998001	Rubber Bumper.....	2	36	660206042	Screw (M3.5 x 16 mm, Pan Hd.).....	3
4	290075001	Brush Assembly.....	2	37	351101001	Laser Cover.....	1
5	660259008	Screw (M4.5 x 35 mm).....	3	38	693240001	Compression Spring.....	1
6	524935002	Motor Housing.....	1	39	291129001	Laser Assembly.....	1
7	681304001	Ball Bearing (608-2RS).....	1	40	513075002	Hex Nut (M3).....	1
8	230452001	Motor Assembly (Inc. Key No. 7).....	1	41	512963002	Nylon Screw (M3 x 6 mm, Special).....	1
9	660101002	Screw (4.2 x 2.54 x 50, Type B Pan Hd.).....	2	42	612031001	Depth Lock Nut (1/4-20).....	1
10	941120012	Warning Label.....	1	43	634295001	E-Ring.....	1
11	525084001	Volute.....	1	44	634293001	Depth Lock Lever.....	1
12	634292001	Spindle Lock.....	1	45	693616001	Carriage Bolt (1/4-20 x 5/8 in., Special).....	1
13	693411002	Compression Spring.....	1	46	305407002	Base Assembly (Inc. Key Nos. 47-53).....	1
14	670974003	Lock Nut (M5).....	1	47	301124018	Edge Guide Knob Assembly.....	1
15	202001006	Upper Blade Guard Assembly (Inc. Key No. 10, 18, 56-57 and 59).....	1	48	660106007	Hex Nut (8-32).....	1
16	561984001	Bumper.....	1	49	660112006	Screw (8-32 x 11/32 in., Pan Hd.).....	1
17	660193005	Shoulder Screw (M5 x 20 mm).....	1	50	301124020	Bevel Lock Knob.....	1
18	680413005	Bushing.....	1	51	680771002	Washer (OD5/8 x ID7/16 x 1/16t).....	1
19	305403001	Output Shaft and Gear Assembly.....	1	52	660104010	Carriage Bolt (1/4-20 x 5/8 in.).....	1
20	680980003	Roll Pin.....	1	53	634389001	Blade Wrench.....	1
21	305401001	Lower Blade Guard Support Assembly (Inc. Key No. 19).....	1	54	941121021	Data Label.....	1
22	661349001	Screw (M4 x 16 mm, Pan Hd.).....	4	55	941120008	Warning Label.....	1
23	680672006	Torsion Spring.....	1	56	941006007	Laser Label (ENG/FR).....	1
24	524934002	Lower Blade Guard.....	1	57	941006008	Laser Label (SP).....	1
25	693438001	Retaining Ring.....	1	58	941002019	Logo Label.....	1
26	611791001	Inner Flange Bushing.....	1	59	681717001	Ball Bearing (6000-2RS).....	1
27	680775001	Outer Blade Washer.....	1	60	680776001	Spring Washer.....	1
28	660988001	Blade Screw (5/16-18 x 9/16 in.).....	1	61	680783014	Blade (7-1/4 in.).....	1
29	202145001	Handle Assembly.....	1	62	941001058	Laser Label.....	1
30	280226001	Circuit Board w/Micro Switch Assembly.....	1		<b>Not Shown:</b>		
31	760476004	Switch.....	1		200673002	Dust Nozzle Kit (Optional).....	1
32	790021001	Closed End Wire Connector.....	1		990000076	Operator's Manual	
33	551060003	Bend Relief.....	1		5-2-13		
					(Rev:05)		