

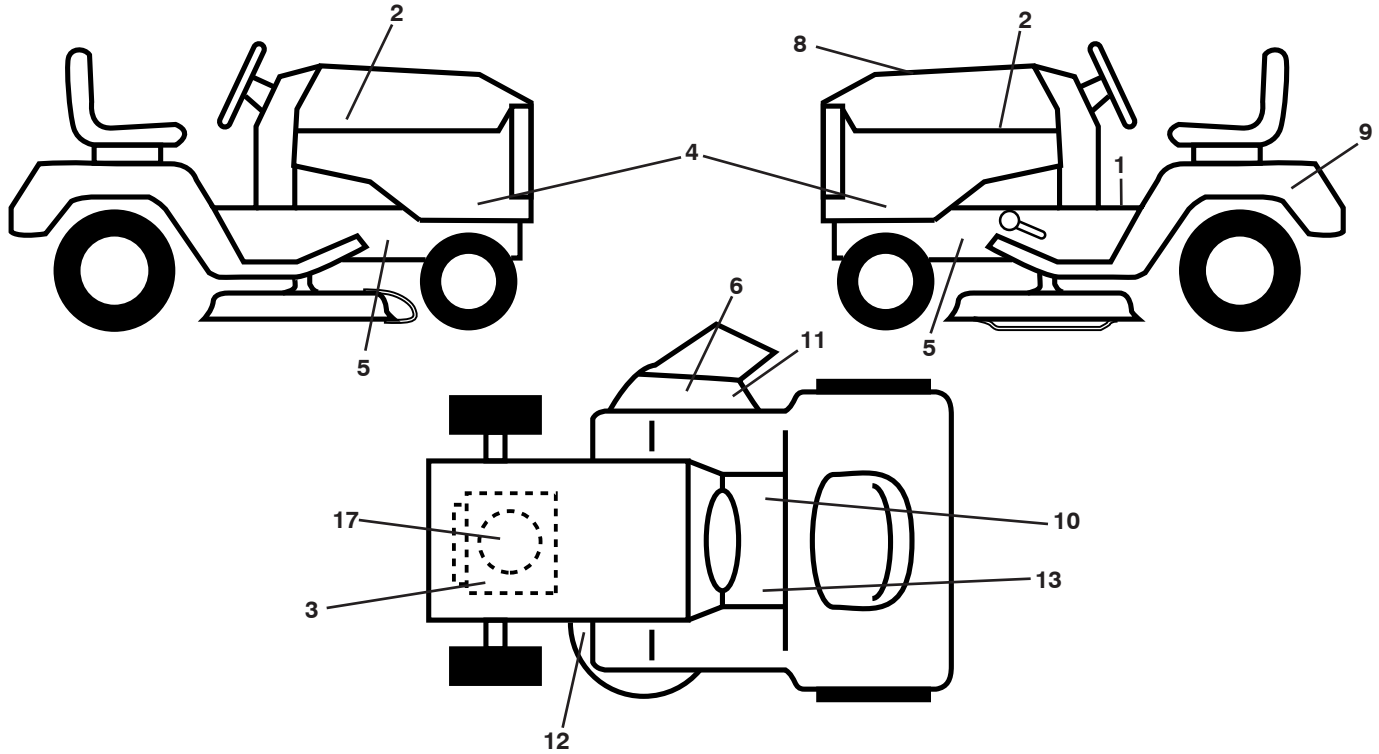
# **ILLUSTRATED PARTS LIST**

**MODEL NO. 96051000704/05**

**CUSTOMER CATALOG NO. CT126**

**PRODUCT NO. 960 51 00-07**

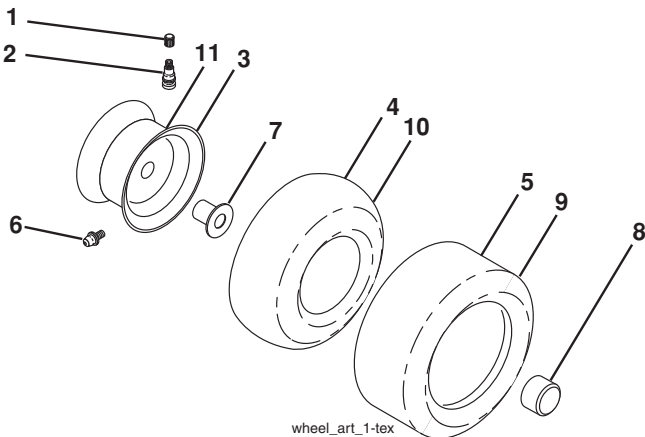
**TRACTOR - - MODEL NO. CT126 (96051000704/05), PRODUCT NO. 960 51 00-07  
DECALS 27**



| KEY NO. | PART NO.     | DESCRIPTION                   |
|---------|--------------|-------------------------------|
| 1       | 581 57 81-01 | Decal, Operators              |
| 2       | 581 62 73-01 | Decal, Hood Logo              |
| 3       | 581 57 97-01 | Decal, Warning Eng. Symbols   |
| 4       | 532 44 00-95 | Decal, Hood Panel             |
| 5       | 581 57 96-01 | Decal, Chassis Hot Muffler    |
| 6       | 584 90 46-01 | Decal, Deflect. Warning       |
| 8       | 532 44 32-41 | Decal, Rpl                    |
| 9       | 532 14 50-05 | Decal, Battery Dnge/Poi       |
| 10      | 581 57 80-01 | Decal, Saddle Brake Parking   |
| 11      | 581 57 94-01 | Decal, Warning DFlect/Ctfingr |

| KEY NO. | PART NO.     | DESCRIPTION                   |
|---------|--------------|-------------------------------|
| 12      | 581 58 00-04 | Decal, Mower V-Belt Schematic |
| 13      | 581 72 40-01 | Decal, Brake/Clutch Symbol    |
| 17      | 532 43 74-10 | Decal, BS Engine              |
| --      | 532 44 14-09 | Pad, Footrest, LH             |
| --      | 532 44 18-02 | Pad, Footrest, RH             |
| --      | 581 06 08-40 | Manual Oper. Euro             |
| --      | 581 06 08-50 | Manual Oper. Scand            |
| --      | 581 06 08-20 | Manual Oper. E-Bloc           |
| --      | 581 06 08-30 | Manual Oper. Baltic           |

**WHEELS AND TIRES**



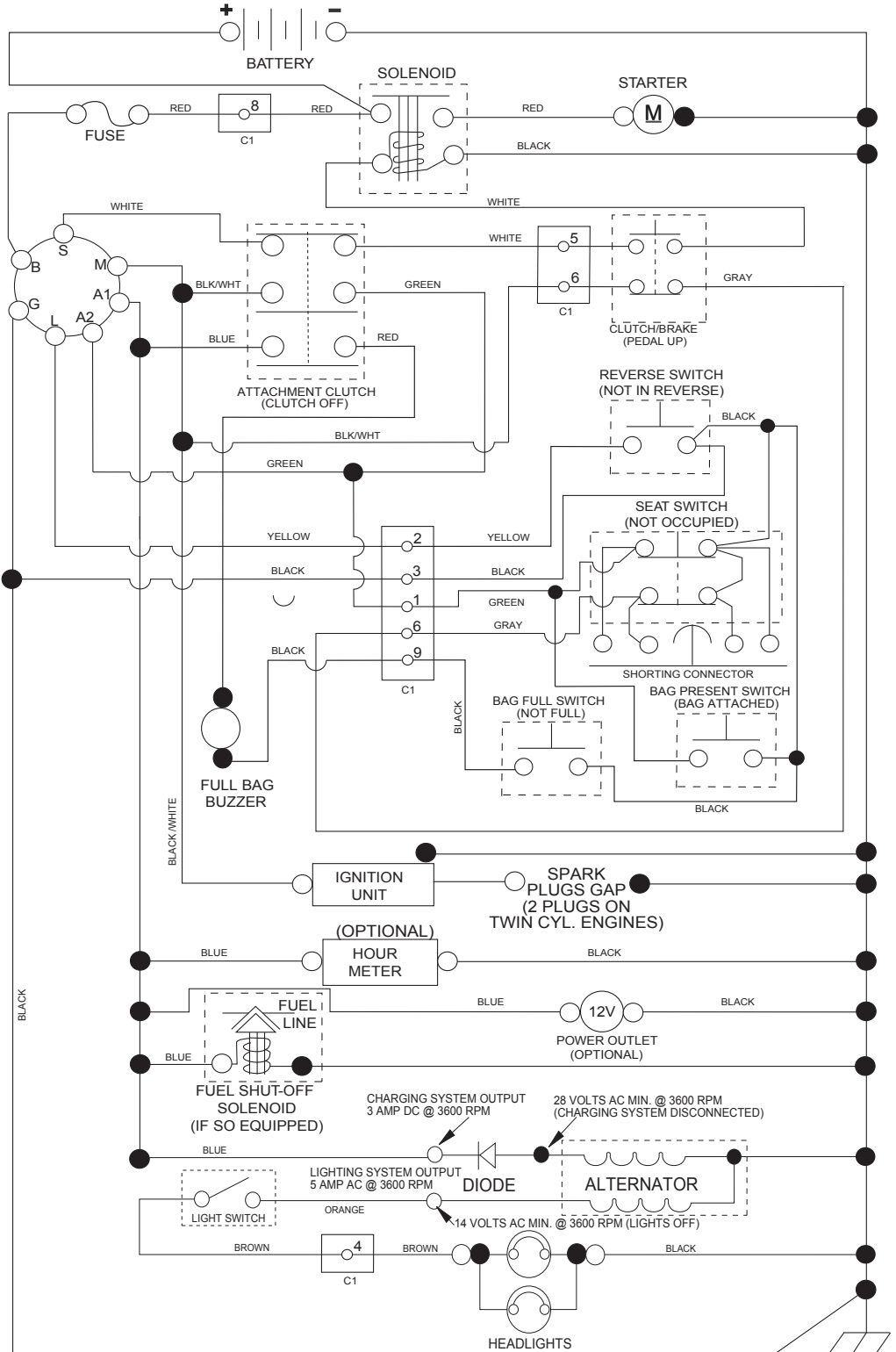
| KEY NO. | PART NO.     | DESCRIPTION                           |
|---------|--------------|---------------------------------------|
| 1       | 532 05 91-92 | Cap Valve Tire                        |
| 2       | 532 06 51-39 | Stem Valve                            |
| 3       | 532 42 52-61 | Rim Asm 6 x 3.25 Front                |
| 4       | 532 42 16-52 | Tube Front 13x5-6 (Service Item Only) |
| 5       | 532 12 34-10 | Tire F T 13 x 5.0 - 6                 |
| 6       | 532 12 49-57 | Fitting Grease (Front Wheel Only)     |
| 7       | 532 12 49-59 | Bearing Flange (Front Wheel Only)     |
| 8       | 532 17 50-39 | Cap Axle Blk 1 50 x 1 00              |
| 9       | 532 10 62-30 | Tire R 16 x 6.5                       |
| 10      | 532 00 71-54 | Tube Rear (Service Item Only)         |
| 11      | 532 42 52-62 | Rim Asm 8 x 5.375 Rear                |
| --      | 532 14 43-34 | Sealant, Tire (10 oz. Tube)           |

**NOTE:** All component dimensions given in U.S. inches  
1 inch = 25.4 mm

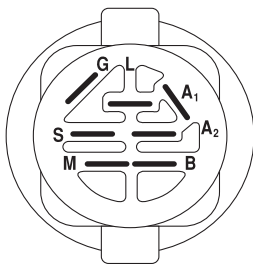
# TRACTOR - - MODEL NO. CT126 (96051000704/05), PRODUCT NO. 960 51 00-07

## SCHEMATIC 38

SCH17



**NOTE**  
YOUR TRACTOR IS EQUIPPED WITH A SPECIAL ALTERNATOR SYSTEM. THE LIGHTS ARE NOT CONNECTED TO THE BATTERY, BUT HAVE THEIR OWN ELECTRICAL SOURCE. BECAUSE OF THIS, THE BRIGHTNESS OF THE LIGHTS WILL CHANGE WITH ENGINE SPEED. AT IDLE THE LIGHTS WILL DIM. AS THE ENGINE SPEED IS INCREASED, THE LIGHTS WILL BECOME THEIR BRIGHTEST.

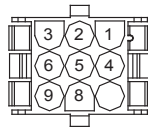


IGNITION SWITCH

| POSITION     | CIRCUIT    | "MAKE" |
|--------------|------------|--------|
| OFF          | M+G+A1     |        |
| RUN/OVERRIDE | B+A1       |        |
| RUN          | B+A1       | L+A2   |
| START        | B + S + A1 |        |



CHASSIS HARNESS CONNECTOR (C1) (MATING SIDE)



DASH HARNESS CONNECTOR (C1) (MATING SIDE)

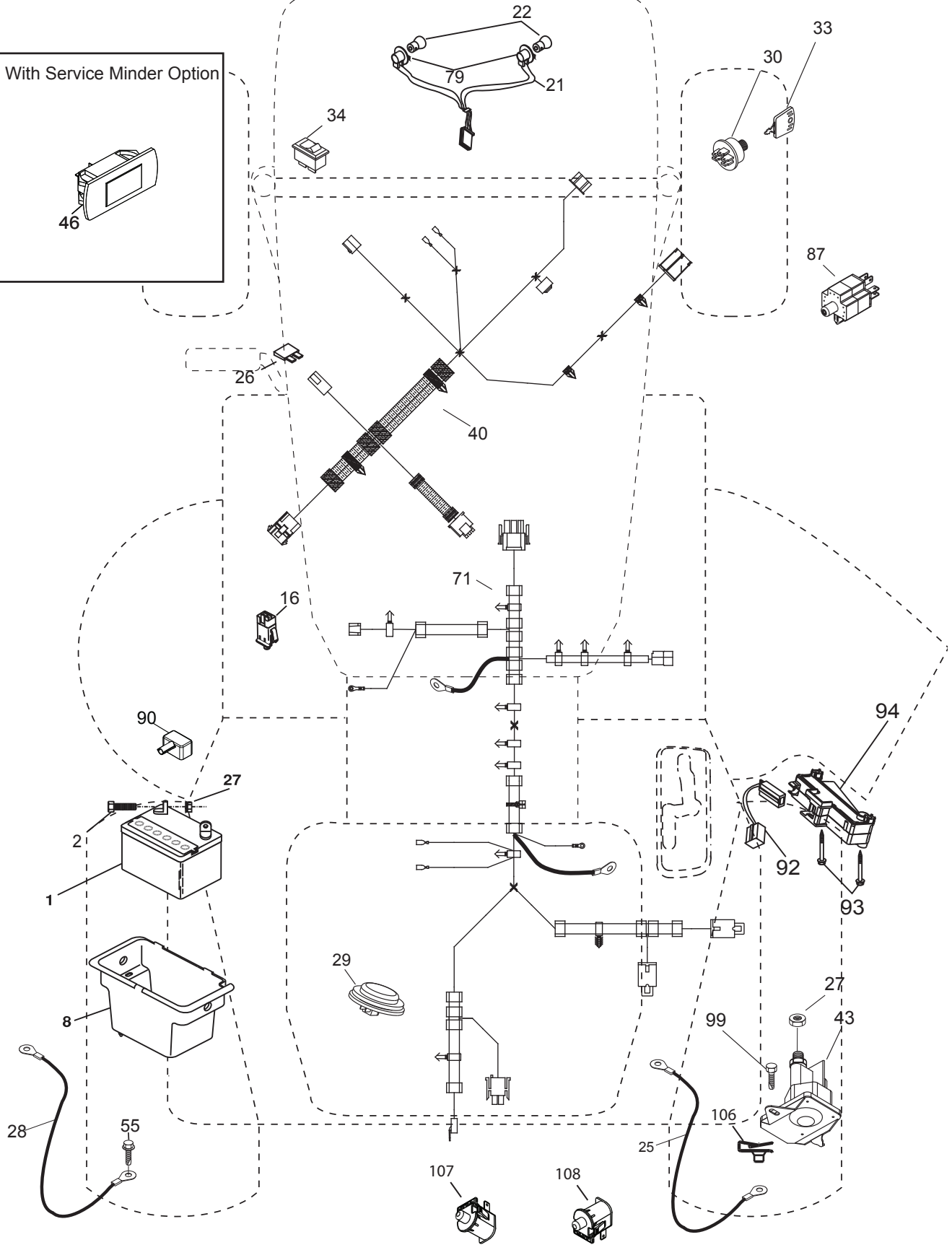
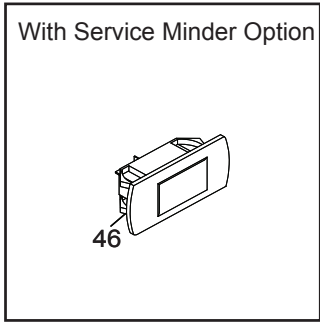
WIRING INSULATED CLIPS  
NOTE: IF WIRING INSULATED CLIPS WERE REMOVED FOR SERVICING OF UNIT, THEY SHOULD BE RE-INSTALLED TO PROPERLY SECURE YOUR WIRING.

● NON-REMOVABLE CONNECTIONS

○ REMOVABLE CONNECTIONS

**TRACTOR - - MODEL NO. CT126 (96051000704/05), PRODUCT NO. 960 51 00-07**  
**ELECTRICAL 32**

S01S

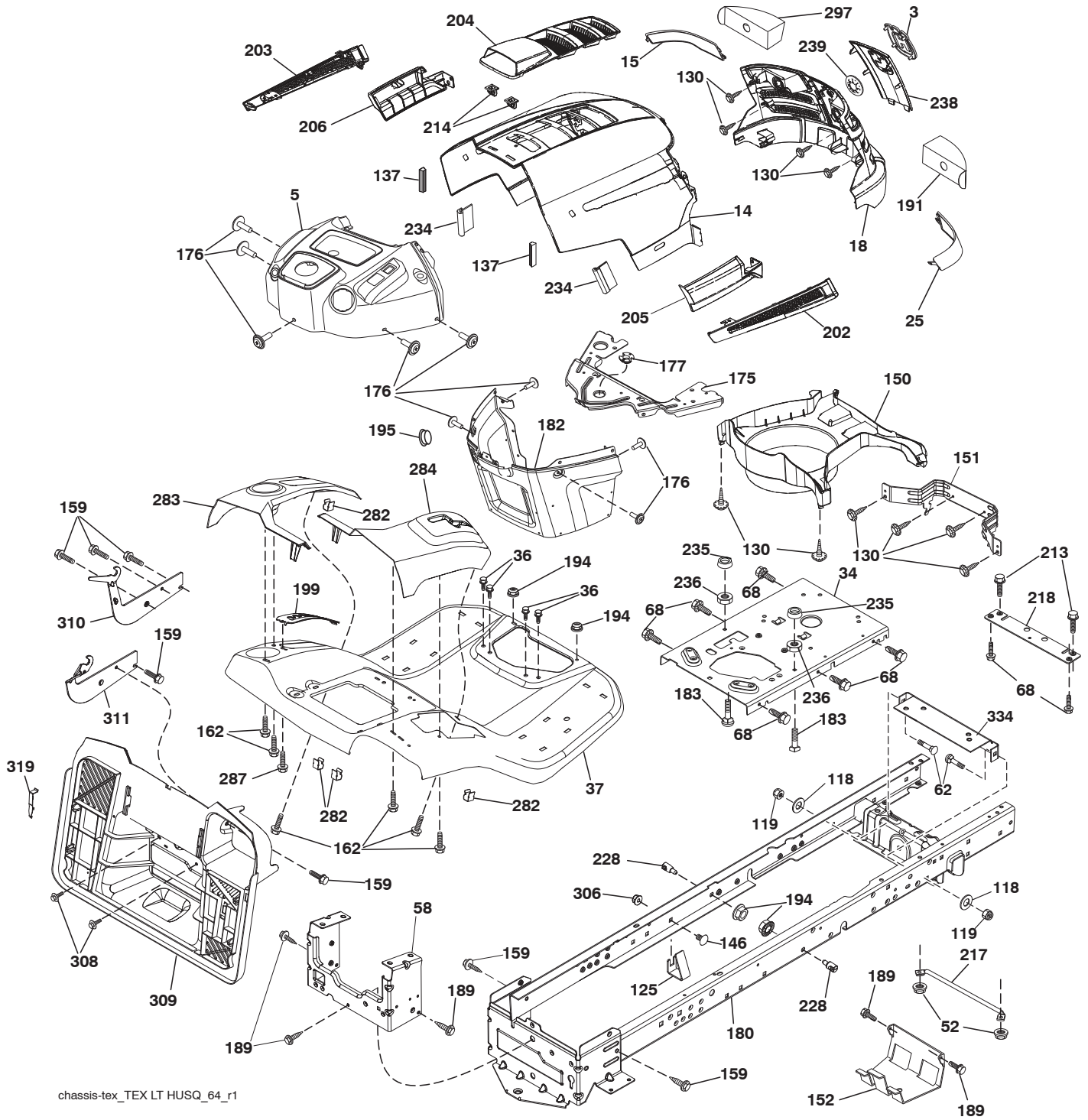


**TRACTOR - - MODEL NO. CT126 (96051000704/05), PRODUCT NO. 960 51 00-07**  
**ELECTRICAL 32**

| <b>KEY NO.</b> | <b>PART NO.</b> | <b>DESCRIPTION</b>              |
|----------------|-----------------|---------------------------------|
| 1              | 532 14 49-24    | Battery                         |
| 2              | 874 76 04-12    | Bolt Hex Head 1/4-20 x 3/4      |
| 8              | 532 41 97-91    | Box Battery                     |
| 16             | 532 17 61-38    | Switch Interlock Push-In        |
| 21             | 532 40 02-52    | Harness Socket Light w/4152J    |
| 22             | 532 00 41-52    | Bulb Light                      |
| 25             | 532 41 66-94    | Cable Starter                   |
| 26             | 532 17 51-58    | Fuse                            |
| 27             | 873 51 04-00    | Nut Keps Hex 1/4-20 unc         |
| 28             | 532 42 16-86    | Cable, Ground                   |
| 29             | 532 40 15-45    | Switch, Seat                    |
| 30             | 532 19 33-50    | Switch, Ign                     |
| 33             | 532 41 19-35    | Key/Chain                       |
| 34             | 532 11 07-12    | Switch Light/Reset              |
| 40             | 532 42 10-02    | Harness Ign. Dash               |
| 43             | 532 19 25-07    | Solenoid                        |
| 55             | 817 06 05-12    | Screw Thdrol 5/16-18 x 3/4 TYTT |
| 71             | 532 42 94-12    | Harness Ign. Chassis            |
| 79             | 532 17 52-42    | Socket Asm. Bulb                |
| 87             | 532 42 10-60    | Switch Railmount NO-NC-NC       |
| 90             | 532 43 53-95    | Cover Terminal                  |
| 92             | 532 19 66-15    | Harness Pigtail Console ROS     |
| 93             | 532 19 25-40    | Screw Plastite 14 x 6           |
| 94             | 532 19 18-34    | Module Reverse ROS              |
| 99             | 817 67 04-12    | Screw 1/4-20 x 3/4              |
| 106            | 532 17 48-14    | Palnut 1/4 Lugs                 |
| 107            | 532 42 10-61    | Switch Snapmount No #2          |
| 108            | 532 42 10-62    | Switch Snapmount NC             |

**NOTE:** All component dimensions given in U.S. inches  
1 inch = 25.4 mm

TRACTOR - - MODEL NO. CT126 (96051000704/05), PRODUCT NO. 960 51 00-07  
CHASSIS AND ENCLOSURES **39**



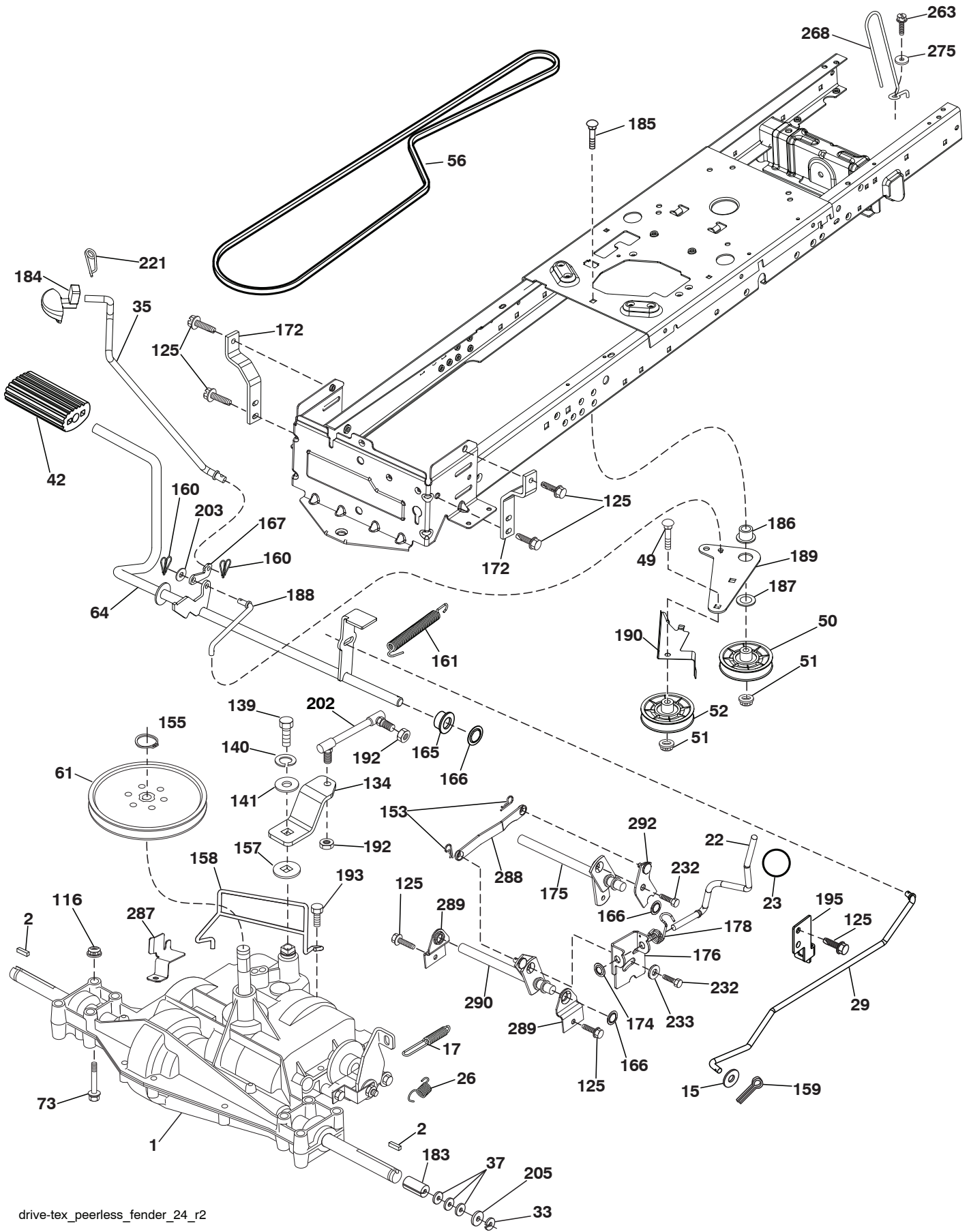
chassis-tex\_TEX LT HUSQ\_64\_r1

**TRACTOR - - MODEL NO. CT126 (96051000704/05), PRODUCT NO. 960 51 00-07  
CHASSIS AND ENCLOSURES 39**

| KEY<br>NO. | PART<br>NO.  | DESCRIPTION                        | KEY<br>NO. | PART<br>NO.  | DESCRIPTION                     |
|------------|--------------|------------------------------------|------------|--------------|---------------------------------|
| 3          | 581 05 63-01 | Logo                               | 195        | 532 43 99-76 | Plug Dash SRVMNDR               |
| 5          | 532 43 89-64 | Dash                               | 199        | 532 41 87-39 | Plate Deck Lift                 |
| 14         | 532 44 12-67 | Hood                               | 202        | 532 44 13-42 | Vent Side Hood RH               |
| 15         | 532 44 14-28 | Lens LH                            | 203        | 532 44 13-43 | Vent Side Hood LH               |
| 18         | 532 44 13-68 | Grille                             | 204        | 532 44 13-75 | Vent Top Hood                   |
| 25         | 532 44 14-27 | Lens RH                            | 205        | 532 44 13-44 | Skirt Side RH                   |
| 34         | 580 91 09-01 | Plate Engine                       | 206        | 532 44 13-45 | Skirt Side LH                   |
| 36         | 817 06 05-12 | Screw 5/16-18 x 3/4                | 213        | 874 76 05-12 | Bolt 5/16-18 x 3/4              |
| 37         | 532 44 14-19 | Fender                             | 214        | 532 19 91-45 | Clip Retainer                   |
| 52         | 873 68 05-00 | Nut Crown Lock 5/16                | 217        | 532 40 91-67 | Rod Pivot Hood                  |
| 58         | 532 41 22-80 | Drawbar Upper                      | 218        | 532 19 63-95 | X-Piece Hood Stop               |
| 62         | 872 11 06-08 | Bolt                               | 228        | 532 19 51-61 | Stud Fastener                   |
| 68         | 817 49 05-08 | Screw Thdrol. 5/16-18 x 1/2        | 234        | 532 40 47-42 | Bumper Hood                     |
| 118        | 819 13 13-16 | Washer                             | 235        | 532 40 61-29 | Spacer Fender                   |
| 119        | 873 68 06-00 | Nut Crownlock                      | 236        | 873 93 05-00 | Nut Lock 5/16-18 unc            |
| 125        | 581 68 48-01 | Clip Fuel Line                     | 238        | 532 44 13-74 | Trim                            |
| 130        | 532 41 63-58 | Screw #10 x 0.750 BOS Thread       | 239        | 532 40 48-83 | Clip Tinnerman                  |
| 137        | 532 40 75-90 | Bumper Dash                        | 282        | 532 41 41-10 | Clip Retainer                   |
| 146        | 581 85 79-01 | Bolt                               | 283        | 532 44 05-31 | Console Deck Lift               |
| 150        | 532 40 66-62 | Air Duct                           | 284        | 532 44 08-59 | Console Shift                   |
| 151        | 532 40 78-07 | Bracket Pivot                      | 287        | 817 60 04-06 | Screw Hex Washhead 1/4-20 x 3/8 |
| 152        | 532 19 95-35 | Shield Browning                    | 297        | 532 40 66-65 | Insert Reflective LH            |
| 159        | 817 00 06-12 | Screw Kexwsh Thdr 3/8-16 x 3/4     | 306        | 873 90 06-00 | Nut Lock                        |
| 162        | 532 14 24-32 | Screw Hex Wsh. Hi-Lo 1/4 x 1/2 unc | 308        | 532 17 18-77 | Bolt 5/16-18 unc x 3/4          |
| 175        | 532 19 94-72 | Crossmember                        | 309        | 532 43 02-46 | Backplate Bagger SRD            |
| 176        | 532 40 07-76 | Screw 10-24 x 5/8                  | 310        | 532 44 66-36 | Bracket Hangar Bag LH           |
| 177        | 532 19 52-28 | Bushing Steering                   | 311        | 532 44 66-37 | Bracket Hangar Bag RH           |
| 180        | 532 41 46-85 | Chassis                            | 319        | 532 17 46-62 | Bracket Actuator                |
| 182        | 532 40 71-76 | Dash Lower                         | 334        | 532 44 25-37 | Bracket Engine                  |
| 183        | 874 52 05-20 | Bolt 5/16-18 x 1-1/2 Full Thd.     |            |              |                                 |
| 189        | 817 00 05-12 | Screw 5/16-18 x 3/4                |            |              |                                 |
| 191        | 532 41 65-01 | Insert Reflective RH               |            |              |                                 |
| 194        | 873 90 05-00 | Nut Lock Hex Flange 5/16-18        |            |              |                                 |

**NOTE:** All component dimensions given in U.S. inches  
1 inch = 25.4 mm

TRACTOR - - MODEL NO. CT126 (96051000704/05), PRODUCT NO. 960 51 00-07  
DRIVE **40**



drive-tex\_peerless\_fender\_24\_r2

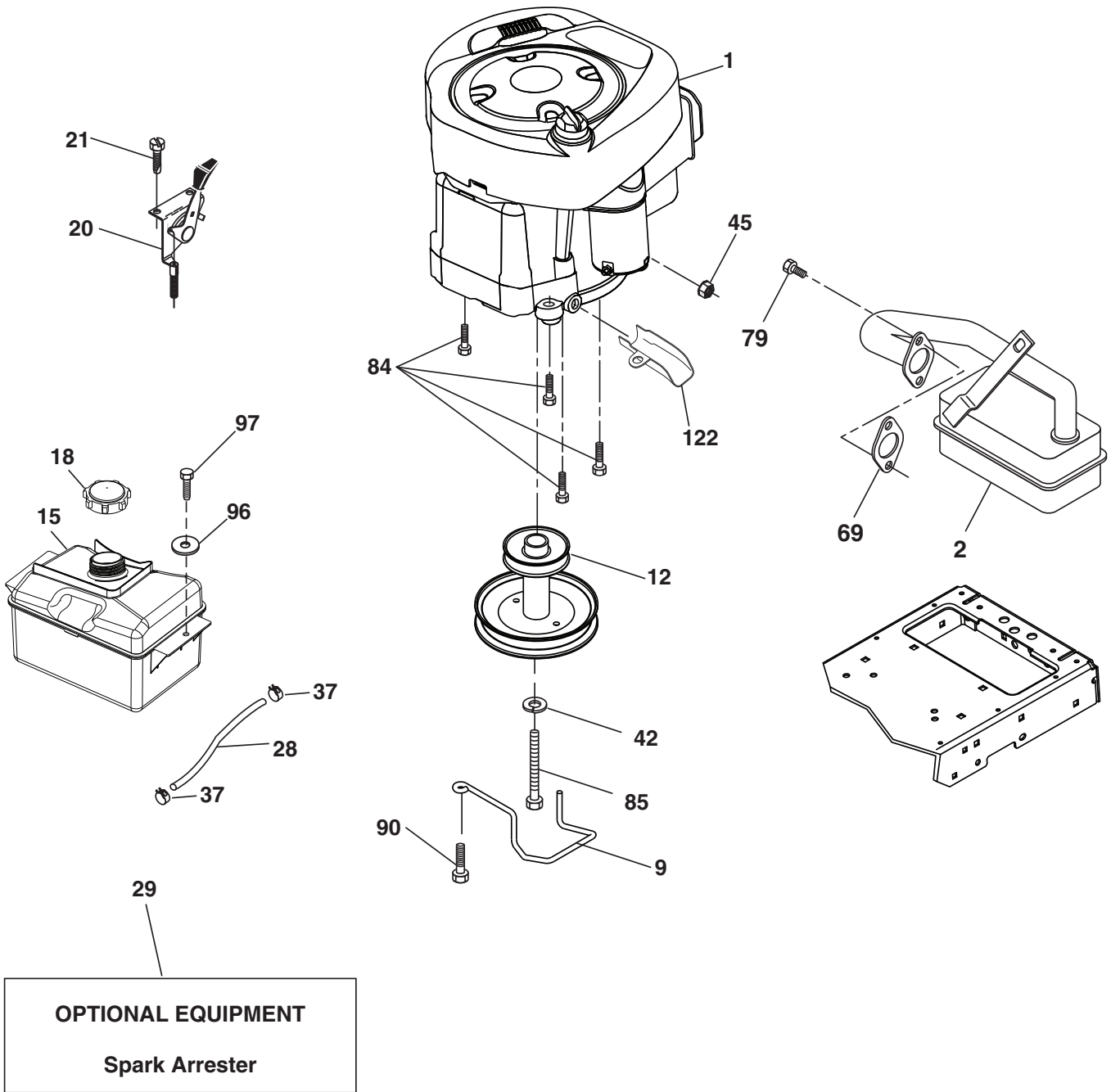


**TRACTOR - - MODEL NO. CT126 (96051000704/05), PRODUCT NO. 960 51 00-07**  
**DRIVE 40**

| KEY NO. | PART NO.     | DESCRIPTION  | KEY NO. | PART NO.     | DESCRIPTION                    |
|---------|--------------|--|---------|--------------|--------------------------------|
| 1       | ---          | Transaxle, Peerless 206-565 (197941) (Order parts from transaxle manufacturer) | 166     | 532 42 91-64 | Nut Push .625                  |
| 2       | 532 12 35-83 | Key Square   | 167     | 532 40 52-57 | Latch Brake Parking            |
| 15      | 819 13 13-16 | Washer 13/32 x 13/16 x 16 Ga.  | 172     | 532 19 76-57 | Strap Torque LH                |
| 17      | 532 19 72-97 | Spring, Brake  | 174     | 532 19 72-89 | Nut Push                       |
| 22      | 532 41 66-14 | Rod Shift  | 175     | 532 19 78-58 | Shaft Asm Shift                |
| 23      | 532 12 12-74 | Knob   | 176     | 532 19 62-14 | Arm Clevis Rod Shift           |
| 26      | 532 19 74-55 | Spring Brake RTN   | 178     | 532 19 63-14 | Spring Shift                   |
| 29      | 532 19 72-67 | Rod, Brake   | 183     | 532 13 70-57 | Spacer, Axle                   |
| 33      | 812 00 00-01 | Ring E   | 184     | 532 44 14-07 | Handle Parking Brake           |
| 35      | 532 40 10-31 | Rod, Brake, Park   | 185     | 872 11 06-22 | Bolt                           |
| 37      | 532 12 17-49 | Washer 25/32 x 1-1/4 x 16 Ga.  | 186     | 532 19 43-21 | Spacer Retainer                |
| 42      | 532 12 48-72 | Cover, Foot Pedal  | 187     | 819 13 32-10 | Washer                         |
| 49      | 872 11 06-14 | Bolt   | 188     | 532 19 43-23 | Link Clutch Ground Drive       |
| 50      | 532 19 43-27 | Pulley Idler Flat  | 189     | 532 19 43-17 | Bellcrank Ground Drive         |
| 51      | 873 90 06-00 | Lock Nut 3/8-16  | 190     | 532 19 43-18 | Keeper Bellcrank Ground Drive  |
| 52      | 532 19 43-26 | Idler V-Groove   | 192     | 532 15 03-60 | Nut Lock Center 1/4-28         |
| 56      | 532 13 82-55 | V-Belt, Drive  | 193     | 817 06 05-12 | Screw 5/16-18 x 3/4            |
| 61      | 532 16 59-99 | Pulley Transaxle   | 195     | 532 19 73-32 | Bracket Brake Rod              |
| 64      | 532 19 62-00 | Shaft Asm. Pedal Brake Control   | 202     | 532 19 78-59 | Link Shift                     |
| 73      | 874 49 05-40 | Bolt 5/16-18 x 2 1/2 Gr. 5   | 203     | 819 11 11-16 | Washer 11/32 x 11/16 x 16 Ga.  |
| 116     | 873 90 05-00 | Nut Lock Hex Flange 5/16-18  | 205     | 532 12 17-48 | Washer 25/32 x 1-5/8 x 16 Ga.  |
| 125     | 817 00 05-12 | Screw 5/16-18 x 3/4  | 221     | 532 40 31-87 | Retainer Spring Clip Handle    |
| 134     | 532 19 78-57 | Arm Shift  | 232     | 874 78 07-16 | Bolt 7/16-14 x 1 Gr. 5         |
| 139     | 874 55 04-12 | Bolt 1/4-20 unf Gr. 8 w/Patch  | 233     | 532 40 52-96 | Washer Serrated                |
| 140     | 810 04 04-00 | Washer Lock Hvy Helical 1/4  | 263     | 817 00 06-12 | Screw Hexwsh THDR 3/8-16 x 3/4 |
| 141     | 819 09 12-10 | Washer 9/32 x 3/4 x 10 Ga.   | 268     | 532 18 24-02 | Guard Muffler                  |
| 153     | 532 12 47-88 | Retainer Spring 1"   | 275     | 819 13 16-14 | Washer 13/32 x 1 x 14 Ga.      |
| 155     | 812 00 00-28 | Ring Retainer  | 287     | 532 42 16-48 | Keeper Pulley Transaxle        |
| 157     | 532 10 57-01 | Washer Plate Shf   | 288     | 532 41 66-17 | Link Shift Slave               |
| 158     | 532 19 43-52 | Keeper T/A   | 289     | 532 41 75-20 | Bracket Support Shift Outer    |
| 159     | 876 02 04-12 | Pin Cotter 1/8 x 3/4   | 290     | 532 42 00-14 | Shaft Asm. Shift Rear          |
| 160     | 532 16 94-84 | Retainer Clip  | 292     | 532 41 93-07 | Plate Asm. Shift               |
| 161     | 532 10 57-09 | Spring, Return, Clutch   |         |              |                                |
| 165     | 532 19 62-12 | Busing Shaft Brake Hand Control  |         |              |                                |

**NOTE:** All component dimensions given in U.S. inches  
1 inch = 25.4 mm

TRACTOR - - MODEL NO. CT126 (96051000704/05), PRODUCT NO. 960 51 00-07  
ENGINE **24**



engine-tex\_BS\_36

**TRACTOR - - MODEL NO. CT126 (96051000704/05), PRODUCT NO. 960 51 00-07  
ENGINE 24**

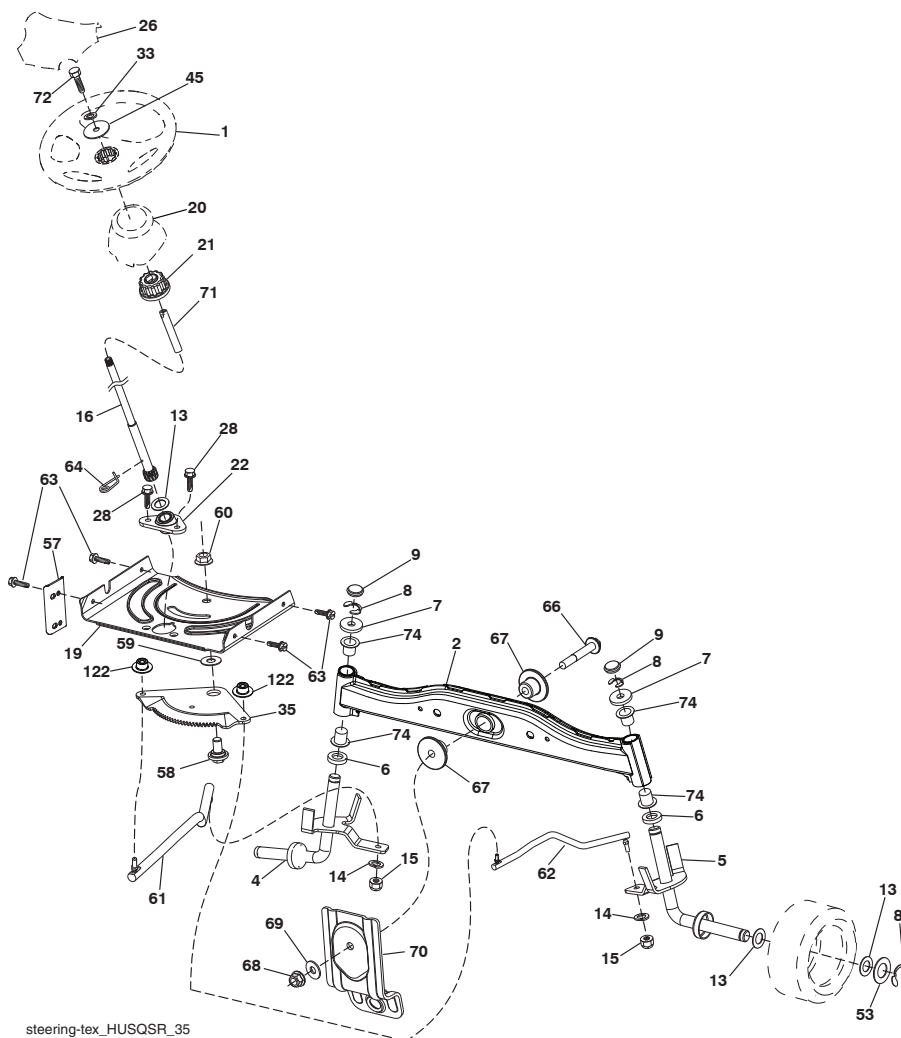
| KEY NO. | PART NO.     | DESCRIPTION  |
|---------|--------------|--|
| 1       | -----        | Engine BS Model No. 219807-3210-B1 (438615) (Order parts from engine manufacturer) |
| 2       | 532 17 97-58 | Muffler  |
| 9       | 532 19 43-19 | Keeper Belt Engine   |
| 12      | 532 14 01-86 | Pulley Engine  |
| 15      | 532 40 75-45 | Tank Fuel 1.5  |
| 18      | 532 43 02-20 | Cap Fuel   |
| 20      | 532 18 38-97 | Control Throttle   |
| 21      | 532 41 63-58 | Screw #10 x 0.750 BOS Thread   |
| 28      | 532 13 70-40 | Fuel Line  |
| 29      | 532 13 71-80 | Spark Arrester Kit   |
| 37      | 532 12 34-87 | Clamp Hose   |
| 42      | 810 04 07-00 | Washer Lock Hvy HLCL SPR 7/16  |
| 45      | 873 51 04-00 | Nut Keps Hex 1/4-20 unc  |
| 69      | 532 16 52-91 | Gasket   |
| 79      | 532 19 23-34 | Screw Socket HD 5/16 - 18 x 75   |
| 84      | 817 06 06-20 | Screw 3/8-16 x 1-1/4   |
| 85      | 532 17 39-37 | Bolt Hex 7/16-20 x 4 Gr. 5   |
| 90      | 817 00 06-16 | Screw 3/8-16 x 1   |
| 96      | 819 09 14-16 | Washer 9/32 x 7/8 x 16 Ga.   |
| 97      | 817 67 04-12 | Screw 1/4-20 x 3/4   |
| 122     | 532 42 19-22 | Extension Drain Oil  |

**NOTE:** All component dimensions given in U.S. inches  
1 inch = 25.4 mm

**Engine Power Rating Information**

The gross power rating for individual gas engine models is labeled in accordance with SAE (Society of Automotive Engineers) code J1940 (Small Engine Power & Torque Rating Procedure), and rating performance has been obtained and corrected in accordance with SAE J1995 (Revision 2002-05). Torque values are derived at 3060 RPM; horsepower values are derived at 3600 RPM. Actual gross engine power will be lower and is affected by, among other things, ambient operating conditions and engine-to-engine variability. Given both the wide array of products on which engines are placed and the variety of environmental issues applicable to operating the equipment, the gas engine will not develop the rated gross power when used in a given piece of power equipment (actual "on-site" or net power). This difference is due to a variety of factors including, but not limited to, accessories (air cleaner, exhaust, charging, cooling, carburetor, fuel pump, etc.), application limitations, ambient operating conditions (temperature, humidity, altitude), and engine-to-engine variability. Due to manufacturing and capacity limitations, Briggs & Stratton may substitute an engine of higher rated power for this Series engine.

**TRACTOR - - MODEL NO. CT126 (96051000704/05), PRODUCT NO. 960 51 00-07**  
**STEERING ASSEMBLY [41]**



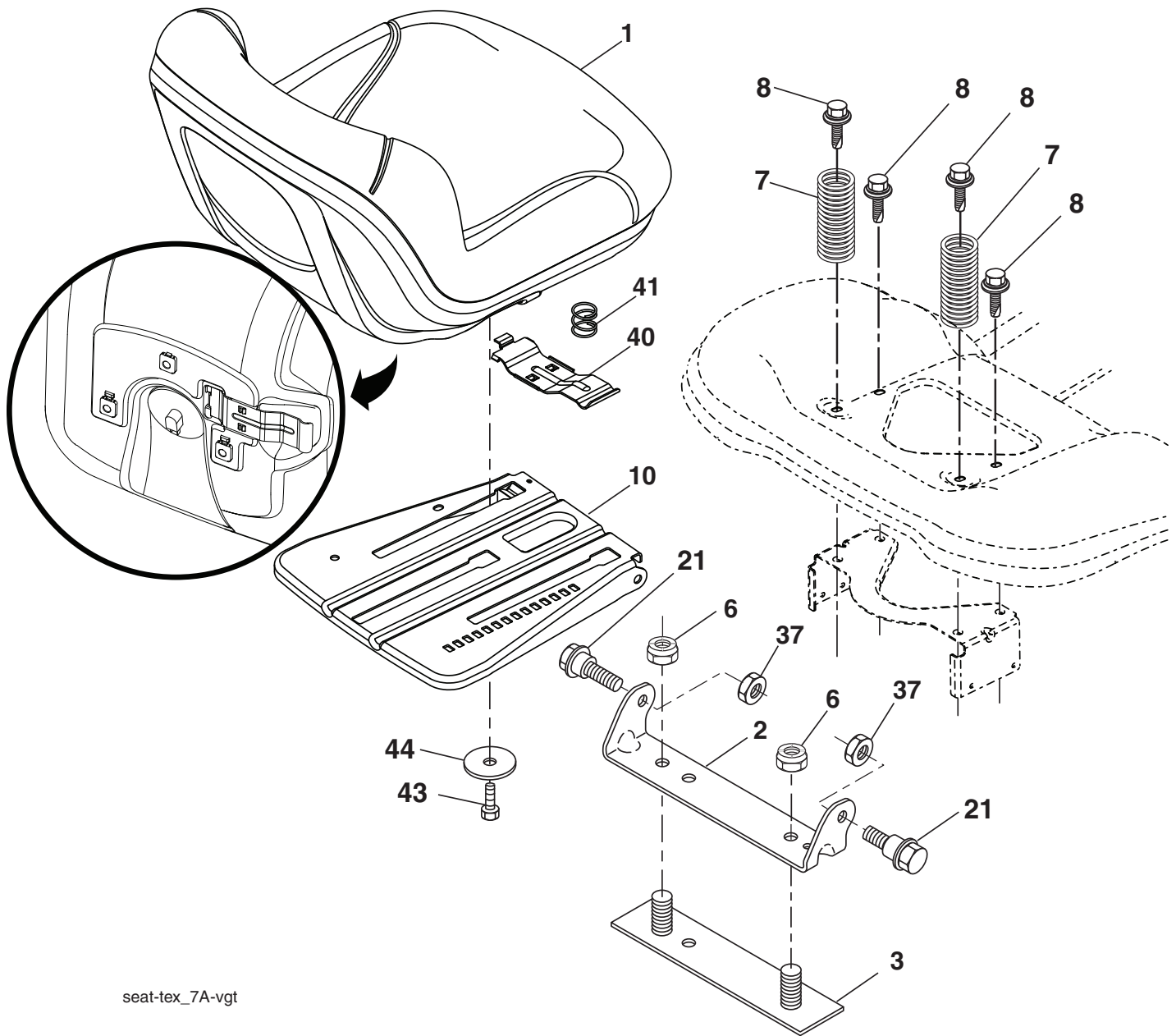
steering-tex\_HUSQSR\_35

| KEY NO. | PART NO.     | DESCRIPTION                    |
|---------|--------------|--------------------------------|
| 1       | 532 43 97-40 | Wheel, Steering Husq SR        |
| 2       | 532 41 81-68 | Axle Asm., Front               |
| 4       | 532 41 68-45 | Spindle Asm., LH               |
| 5       | 532 41 68-46 | Spindle Asm., RH               |
| 6       | 532 12 49-31 | Bearing, Race Thrust Hardened  |
| 7       | 532 12 17-48 | Washer 25/32 x 1-5/8 x 16 Ga.  |
| 8       | 812 00 00-29 | Ring, Klip #T5304-75           |
| 9       | 532 12 12-32 | Cap, Spindle                   |
| 13      | 532 12 17-49 | Washer, 25/32 x 1-1/4 x 16 Ga. |
| 14      | 810 04 06-00 | Washer, Lock Hvy Hlcl Spr 3/8  |
| 15      | 873 54 06-00 | Nut, Crown Lock 3/8-24 unf     |
| 16      | 532 42 93-73 | Shaft Steering                 |
| 19      | 532 19 47-29 | Plate Steering                 |
| 20      | 532 44 14-25 | Boot, Steering                 |
| 21      | 532 18 67-37 | Adapter, Wheel Steering        |
| 22      | 532 42 05-37 | Strg. Supt. Lower              |
| 26      | 532 43 97-43 | Insert, Wheel Steering Husq SR |
| 28      | 817 00 06-12 | Screw 3/8-16 x 3/4             |
| 33      | 810 04 05-00 | Washer Lock 5/16               |
| 35      | 532 19 47-32 | Gear, Sector Plate             |
| 45      | 819 11 38-12 | Washer 11/32 x 2-3/8 x 12 Ga.  |

| KEY NO. | PART NO.     | DESCRIPTION                       |
|---------|--------------|-----------------------------------|
| 53      | 532 18 89-67 | Washer Hardened .793x1.637x.060   |
| 57      | 532 40 74-65 | Bracket Upstop                    |
| 58      | 532 19 47-47 | Bolt Shoulder Sector Pivot CFM    |
| 59      | 532 19 47-48 | Washer Thrust Sector Steering     |
| 60      | 873 97 10-00 | Nut Flange Lock 5/8-11            |
| 61      | 532 19 47-40 | Draglink, LH                      |
| 62      | 532 19 47-41 | Draglink, RH                      |
| 63      | 817 00 05-12 | Screw 5/16-18 x 3/4               |
| 64      | 532 19 98-49 | Retainer Clip Spring Steering     |
| 66      | 871 02 07-48 | Bolt Hex Fghd 7/16-14 x 3 Serr    |
| 67      | 532 19 47-37 | Bushing PM Front Axle             |
| 68      | 873 90 07-00 | Nut Lock Flange 7/16-14 Gr. 5     |
| 69      | 532 19 91-62 | Washer 1.5 x .505 x .118          |
| 70      | 532 41 70-65 | Bracket Deck Susp. Front          |
| 71      | 532 19 07-52 | Shaft Extension Steering          |
| 72      | 532 42 89-82 | Bolt Fin. Hx. 5/16-18 x 4 w/Patch |
| 74      | 532 12 49-37 | Bearing                           |
| 122     | 532 44 49-62 | Cap Gear Sector                   |

**NOTE:** All component dimensions given in U.S. inches  
 1 inch = 25.4 mm

**TRACTOR - - MODEL NO. CT126 (96051000704/05), PRODUCT NO. 960 51 00-07  
SEAT ASSEMBLY 42**



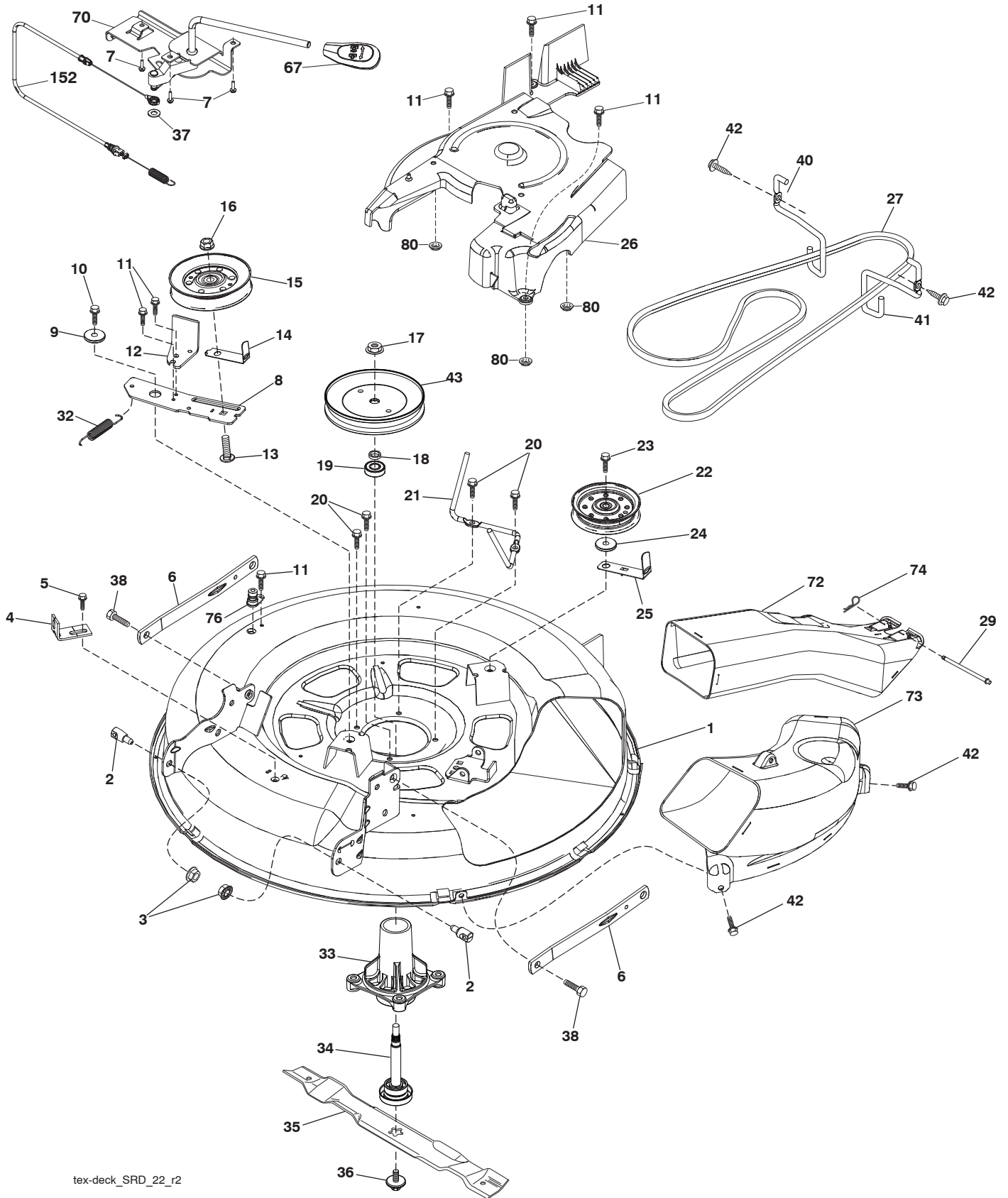
seat-tex\_7A-vgt

| KEY NO. | PART NO.     | DESCRIPTION                   |
|---------|--------------|-------------------------------|
| 1       | 532 43 98-19 | Seat                          |
| 2       | 532 18 01-66 | Bracket Pivot Fender          |
| 3       | 532 14 06-75 | Strap, Asm Fender             |
| 6       | 873 80 06-00 | Nut, Lock w/Ins. 3/8-16 unc   |
| 7       | 532 12 41-81 | Spring, Seat Cprsn            |
| 8       | 532 17 18-77 | Bolt 5/16-18 unc x 3/4 w/Sems |
| 10      | 532 19 69-77 | Pan, Seat                     |
| 21      | 532 17 18-52 | Bolt, Shoulder 5/16-18        |

| KEY NO. | PART NO.     | DESCRIPTION                   |
|---------|--------------|-------------------------------|
| 37      | 873 80 05-00 | Nut, Lock 5/16-18 unc         |
| 40      | 532 19 76-61 | Handle Slide Seat             |
| 41      | 532 19 82-00 | Spring Latch Seat             |
| 43      | 874 76 06-12 | Bolt 3/8-16 x 3/4             |
| 44      | 819 13 38-12 | Washer 13/32 x 2-3/8 x 12 Ga. |

**NOTE:** All component dimensions given in U.S. inches  
1 inch = 25.4 mm

TRACTOR - - MODEL NO. CT126 (96051000704/05), PRODUCT NO. 960 51 00-07  
MOWER DECK 44



tex-deck\_SRD\_22\_r2

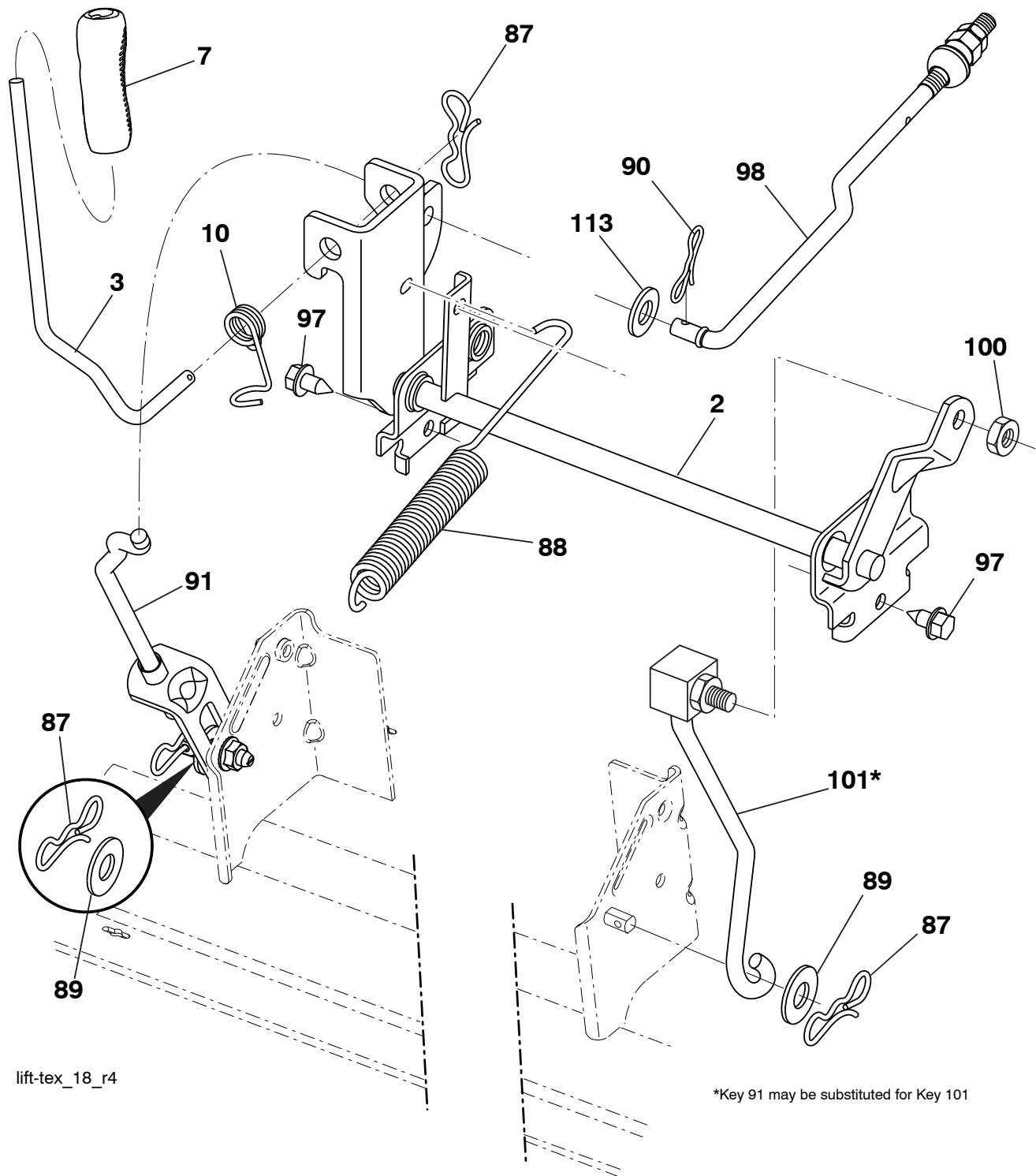
**TRACTOR - - MODEL NO. CT126 (96051000704/05), PRODUCT NO. 960 51 00-07  
MOWER DECK 44**

| KEY NO. | PART NO.     | DESCRIPTION                         | KEY NO. | PART NO.     | DESCRIPTION  |
|---------|--------------|-------------------------------------|---------|--------------|--|
| 1       | 532 44 20-48 | Deck Weldment 30"Srd                | 34      | 532 19 28-72 | Shaft Asm Mndrl N/Greaseable38   |
| 2       | 532 19 51-61 | Stud Fastner W/D'anti-Rotatio       | 35      | 532 41 92-74 | Blade Mower Bagging Srd  |
| 3       | 873 90 05-00 | Nut Lock Hex Flange 5/16 - 18       | 36      | 532 19 30-03 | Bolt/Washer Asm 7/16 - 20 unf  |
| 4       | 532 41 76-45 | Bracket Clutch Cable                | 37      | 819 13 13-16 | Washer 13/32 x 13/16 x 16 Ga.  |
| 5       | 817 00 05-10 | Bolt 5/16-18                        | 38      | 532 19 65-39 | Bolt Shoulder  |
| 6       | 532 41 88-63 | Arm Susp Mower Rear Srd             | 40      | 532 41 92-70 | Keeper Belt Engine LH  |
| 7       | 532 41 63-58 | Screw #10 x 0.750 BOS Thread        | 41      | 532 41 92-65 | Keeper Belt Engine RH  |
| 8       | 532 42 02-52 | Arm Idler 30"Srd                    | 42      | 817 00 06-12 | ScrewHexwshTHDR3/8-16x3/4BL  |
| 9       | 532 19 90-92 | Spacer Retainer                     | 43      | 532 41 68-77 | Pulley Mandrel 6 5 Pd 30"  |
| 10      | 817 00 06-16 | Screw 3/8 - 16 X 1 Smgml Tap/R Blk  | 67      | 532 40 30-12 | Handle clutch cable  |
| 11      | 532 13 77-29 | Screw Thd Roll 1/4 - 20 X 5/8       | 70      | 532 40 12-46 | Clutch Asm. Manual   |
| 12      | 532 19 94-70 | Arm Brake Mower 38" RH Tex          | 72      | 532 41 72-36 | Chute Upper SRD 30R  |
| 13      | 872 11 06-12 | Bolt Carr Sh 3/8 - 16 X 1 - 1/2 Gr5 | 73      | 532 42 52-74 | Chute Lower SRD 30R  |
| 14      | 532 15 60-85 | Keeper Belt Idler                   | 74      | 532 12 46-70 | Retainer Spring  |
| 15      | 532 14 67-63 | Pulley Idler V-Groove Dim 4.25      | 76      | 532 41 55-98 | Washout Port   |
| 16      | 873 90 06-00 | Nut Lock FIG 3/8 - 16 unc           | 80      | 532 42 30-62 | Palnut   |
| 17      | 532 40 02-34 | Nut Flange Lock Top                 | 152     | 532 43 51-11 | Manual Clutch Cable  |
| 18      | 532 18 76-90 | Washer Spacer Mandrel               | --      | 532 19 28-70 | Mandrel Assembly (Includes Hous-<br>ing (key #14), Shaft Assembly (key<br>#13), And Bearing (key #15) Only<br>- Pulley/Nut/Washer And Blade Bolt/<br>Washers Not Included) |
| 19      | 532 11 04-85 | Bearing Ball Mandrel                |         |              |  |
| 20      | 532 17 39-84 | Screw Thd Roll Dod Pt Hex           |         |              |  |
| 21      | 532 41 69-10 | Keeper Belt Mandrel 30"             |         |              |  |
| 22      | 532 17 58-20 | Pulley Idler Flat Unplated          |         |              |  |
| 23      | 817 49 06-28 | Screw Thdrol 3/8 - 16 X 1-3/4       | --      | 532 44 08-00 | Replacement Mower Complete   |
| 24      | 819 13 20-12 | Washer 13/32 X 1 - 1/4 X 12 Ga      |         |              |  |
| 25      | 532 42 02-53 | Keeper Belt 30"Srd                  |         |              |  |
| 26      | 532 42 02-55 | Cover Mandrel Mwr 30"Black          |         |              |  |
| 27      | 532 41 92-71 | V-Belt Drive                        |         |              |  |
| 29      | 532 42 08-95 | Hinge Pin                           |         |              |  |
| 32      | 532 40 18-72 | Spring Return Deck 38/46"           |         |              |  |
| 33      | 532 18 72-81 | Housing Mandrel 4pt Service         |         |              |  |

**NOTE:** All component dimensions given in U.S. inches  
1 inch = 25.4 mm



**TRACTOR - - MODEL NO. CT126 (96051000704/05), PRODUCT NO. 960 51 00-07**  
**MOWER LIFT 45**



lift-tex\_18\_r4

\*Key 91 may be substituted for Key 101

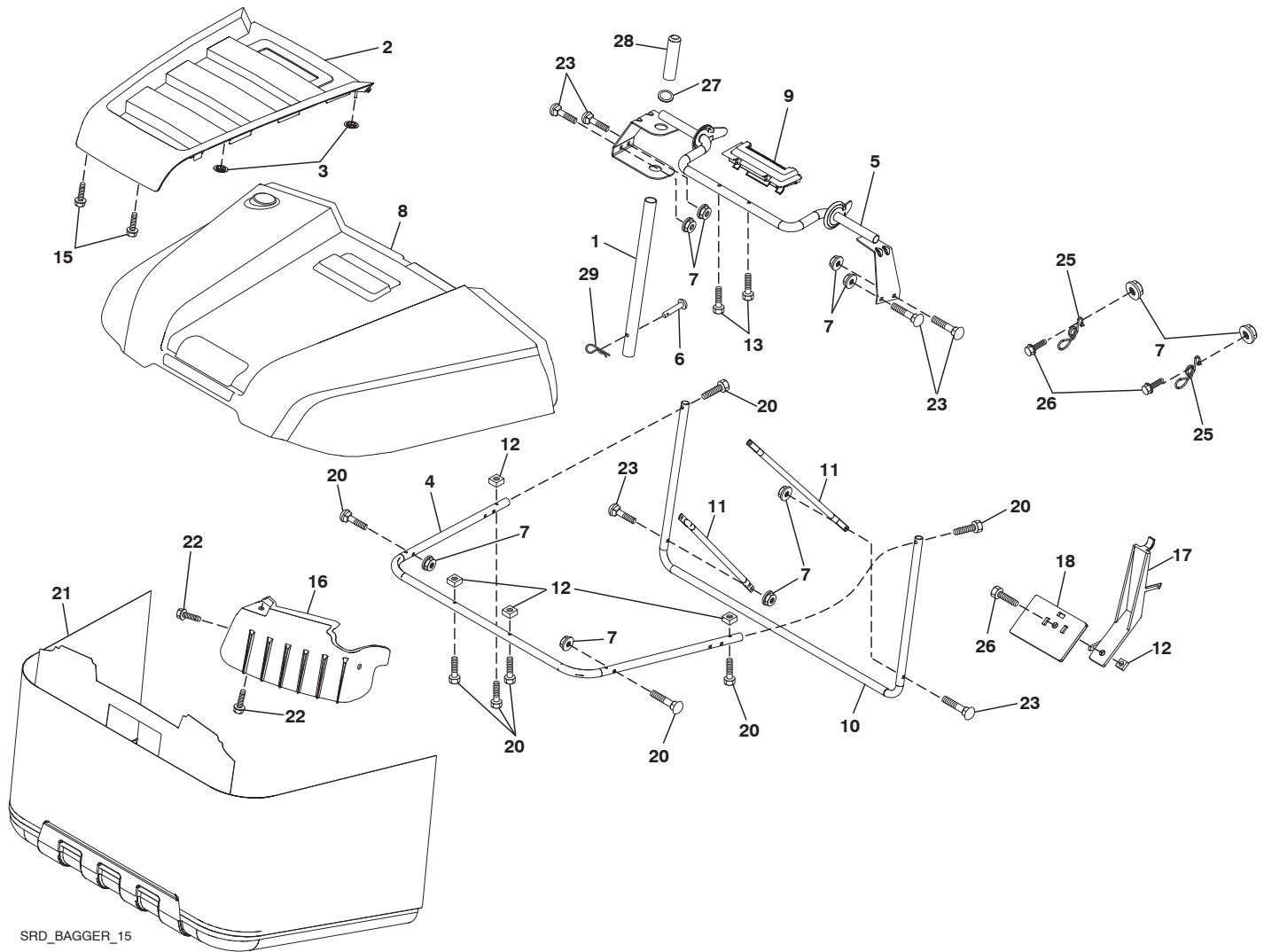
| KEY NO. | PART NO.     | DESCRIPTION                  |
|---------|--------------|------------------------------|
| 2       | 532 42 20-27 | Shaft Asm., Lift             |
| 3       | 532 19 52-31 | Lever Asm., Lift RH          |
| 7       | 580 96 23-01 | Grip, Lever                  |
| 10      | 532 19 63-14 | Spring Torsion               |
| 87      | 532 19 42-09 | Pin Cotter 7/16 Bow Tie Lock |
| 88      | 532 41 07-10 | Spring Lift Assist           |
| 89      | 819 19 19-12 | Washer Clear                 |
| 90      | 532 19 42-08 | Pin Cotter 5/16 Bow Tie Lock |

| KEY NO. | PART NO.     | DESCRIPTION                    |
|---------|--------------|--------------------------------|
| 91      | 532 19 51-81 | Link Lift Susp Mower Rear      |
| 97      | 817 00 06-12 | Screw 3/8-16 x 3/4             |
| 98      | 532 19 52-64 | Link Lift Susp. Front Mower    |
| 100     | 873 93 06-00 | Nut Centerlock 3/8-16          |
| 101     | 532 40 70-03 | Link Asm. Lift FXD             |
| 113     | 819 17 19-12 | Washer 17/32 x 1-3/16 x 12 Ga. |

**NOTE:** All component dimensions given in U.S. inches  
 1 inch = 25.4 mm



**TRACTOR - - MODEL NO. CT126 (96051000704/05), PRODUCT NO. 960 51 00-07  
BAGGER 46**



SRD\_BAGGER\_15

| KEY NO. | PART NO.     | DESCRIPTION               | KEY NO. | PART NO.     | DESCRIPTION                       |
|---------|--------------|---------------------------|---------|--------------|-----------------------------------|
| 1       | 532 42 86-10 | Tube Handle Bagger SRD    | 17      | 532 42 17-49 | Lever Bagger Full                 |
| 2       | 532 44 13-58 | Applique                  | 18      | 532 42 17-50 | Paddle Bagger Full                |
| 3       | 532 41 38-08 | Nut Push                  | 20      | 585 36 88-01 | Screw Hex Cap 1/4-20 x 1.375      |
| 4       | 532 43 96-12 | Frame Asm Bagger Top      | 21      | 532 42 99-81 | Bag Asm SRD                       |
| 5       | 532 41 76-32 | Frame Asm Top Bagger SRD  | 22      | 532 14 24-32 | Screw Hex WSH Hi-Lo 1/4 - 1/2 unc |
| 6       | 532 12 68-75 | Drilled Rivit             | 23      | 872 04 04-10 | Bolt Carr 1/4-20 unc x 1-1/4      |
| 7       | 873 90 04-00 | Nut Hex Flange 1/4-20 unc | 25      | 532 42 16-14 | Spring Latch Bagger               |
| 8       | 532 44 12-61 | Bagger Top                | 26      | 817 49 04-12 | Screw Hex Thdrol 1/4-20 x 3/4     |
| 9       | 532 41 76-29 | Insert Handle Bagger      | 27      | 532 42 12-62 | Grommet, Rubber SRD               |
| 10      | 532 41 71-90 | Frame Front               | 28      | 532 16 57-87 | Grip Handle Black                 |
| 11      | 532 41 71-88 | Tubing Brace Bagger       | 29      | 532 19 42-08 | Pin Cotter 5/16 Bow Tie Lock      |
| 12      | 532 42 17-93 | Nut Square 1/4            |         |              |                                   |
| 13      | 532 42 17-80 | Screw 1/4 x 1.150 HXWSH   |         |              |                                   |
| 15      | 532 42 18-01 | Screw #8 Flathead         |         |              |                                   |
| 16      | 532 42 15-66 | Deflector Bagger          |         |              |                                   |

**NOTE:** All component dimensions given in U.S. inches  
1 inch = 25.4 mm

