

CT141

Spare parts

Ersatzteile

Pièces détachées

Reserve onderdelen

Repuestos

Reservdelar

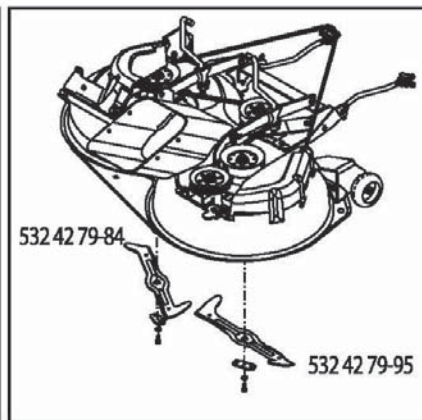
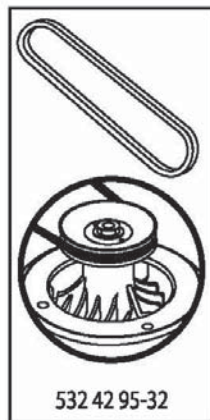
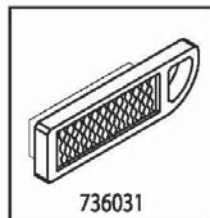
ILLUSTRATED PARTS LIST

MFG. ID NO. 96061033900

CUSTOMER CATALOG NO. CT141

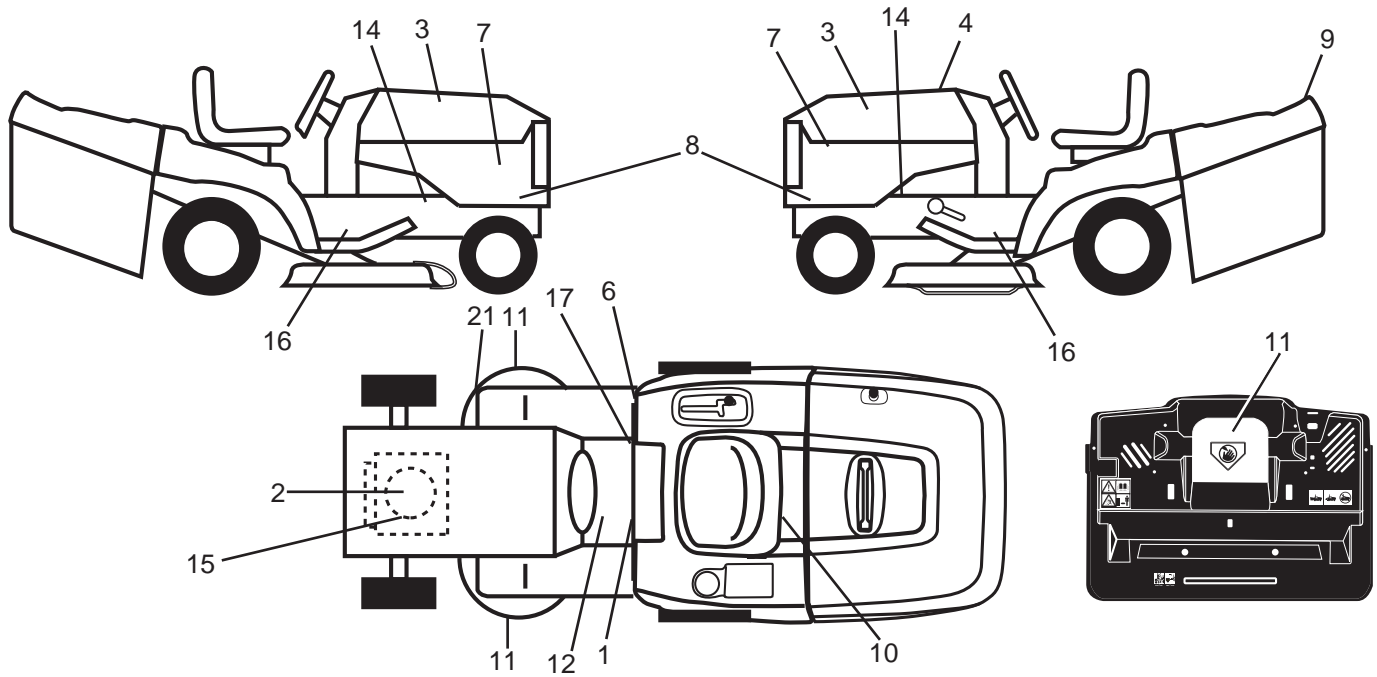
PRODUCT NO. 960 61 03-39

47



446911

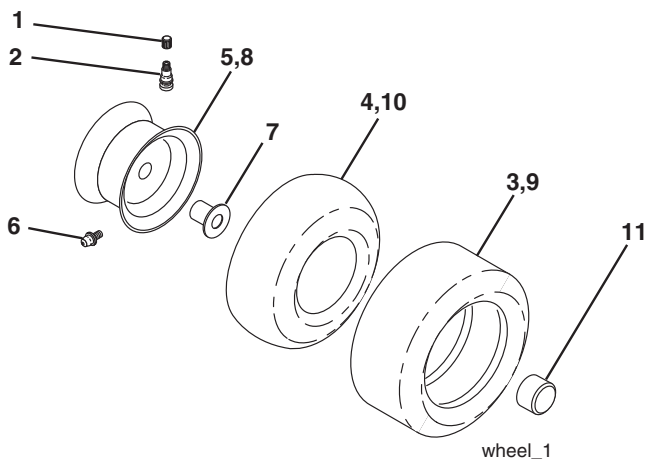
**TRACTOR -- MODEL NO. CT141 (96061033900), PRODUCT NO. 960 61 03-39
DECALS 27**



KEY NO.	PART NO.	DESCRIPTION
1	532 40 03-89	Decal Warning Sym. CE
2	532 19 68-41	Decal Warning Eng. Sym.
3	532 41 55-58	Decal Vent
4	532 44 69-11	Decal Replacement
6	532 18 04-32	Decal 100 DBA
7	532 43 94-37	Decal Hood
8	532 44 70-30	Decal Side Panel
9	532 43 94-37	Decal Hood/Guard
10	532 14 50-05	Decal Bat Dan/Poi P/L Sym Wpn
11	532 18 21-66	Decal Mower Cut Finger Symbol

KEY NO.	PART NO.	DESCRIPTION
12	532 15 97-37	Decal Brake/Clutch Symbol Lt
14	532 15 97-36	Decal Chassis Hot Muffler
15	532 43 74-12	Decal Engine HP
16	532 40 11-46	Decal Warning Service Fire
17	532 14 08-37	Decal Saddle Brake Parking
21	532 16 62-86	Decal Hex Belt Sch 92 CRD
--	532 16 69-60	Decal Bypass
--	532 13 83-11	Decal Lift Handle
--	532 44 70-90	Manual Operator's (Euro)

WHEELS & TIRES

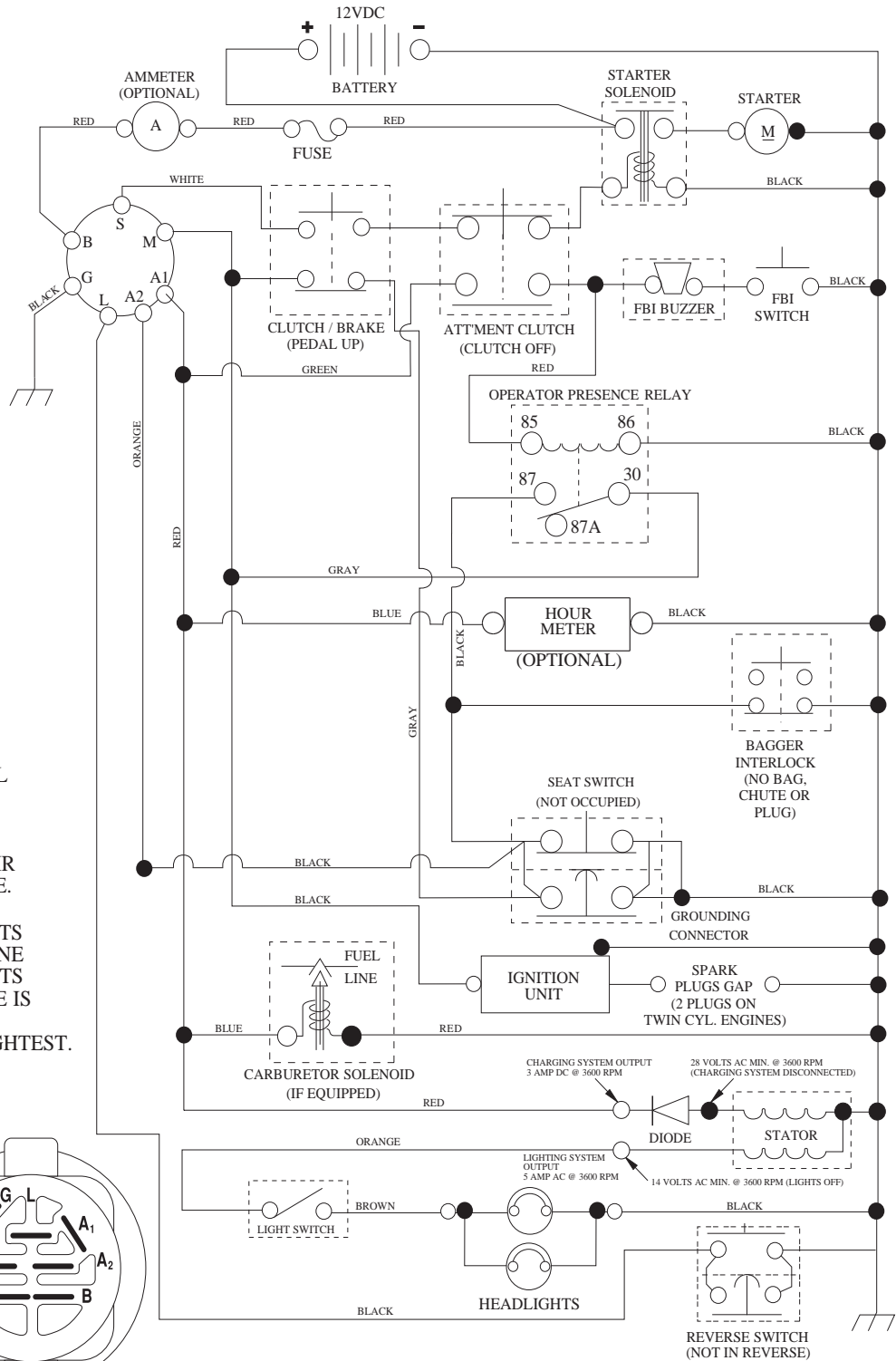


KEY NO.	PART NO.	DESCRIPTION
1	532 05 91-92	Cap Valve Tire
2	532 06 51-39	Stem Valve
3	532 10 62-22	Tire F Ts 15 x 6 0 - 6 Service
4	532 05 99-04	Tube Inner Front #35060
5	532 13 83-36	Rim Asm 6" Front Silver Service
6	532 12 49-57	Fitting Grease
7	532 12 49-59	Bearing Flange
8	532 13 83-37	Rim Asm 8" Rear Silver Service
9	532 42 05-31	Tire R C Service
10	532 12 49-26	Tube Rear 9 5 x 8 Service
11	532 17 50-39	Cap Axle Blk 1 50 x 1 00
--	532 14 43-34	Sealant, Tire (10 oz. tube)

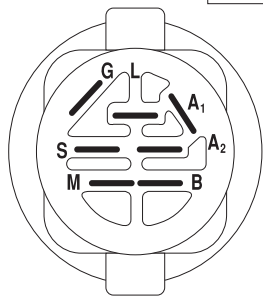
NOTE: All component dimensions given in U.S. inches
1 inch = 25.4 mm

TRACTOR -- MODEL NO. CT141 (96061033900), PRODUCT NO. 960 61 03-39 SCHEMATIC 38

SCH08



NOTE
YOUR TRACTOR IS EQUIPPED WITH A SPECIAL ALTERNATOR SYSTEM. THE LIGHTS ARE NOT CONNECTED TO THE BATTERY, BUT HAVE THEIR OWN ELECTRICAL SOURCE. BECAUSE OF THIS, THE BRIGHTNESS OF THE LIGHTS WILL CHANGE WITH ENGINE SPEED. AT IDLE THE LIGHTS WILL DIM. AS THE ENGINE IS SPEEDED UP, THE LIGHTS WILL BECOME THEIR BRIGHTEST.



IGNITION SWITCH

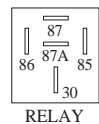
POSITION	CIRCUIT	"MAKE"
OFF	M+G+A1	
RUN/OVERRIDE	B+A1	
RUN	B+A1	L+A2
START	B + S + A1	

WIRING INSULATED CLIPS

NOTE: IF WIRING INSULATED CLIPS WERE REMOVED FOR SERVICING OF UNIT, THEY SHOULD BE RE-INSTALLED TO PROPERLY SECURE YOUR WIRING.

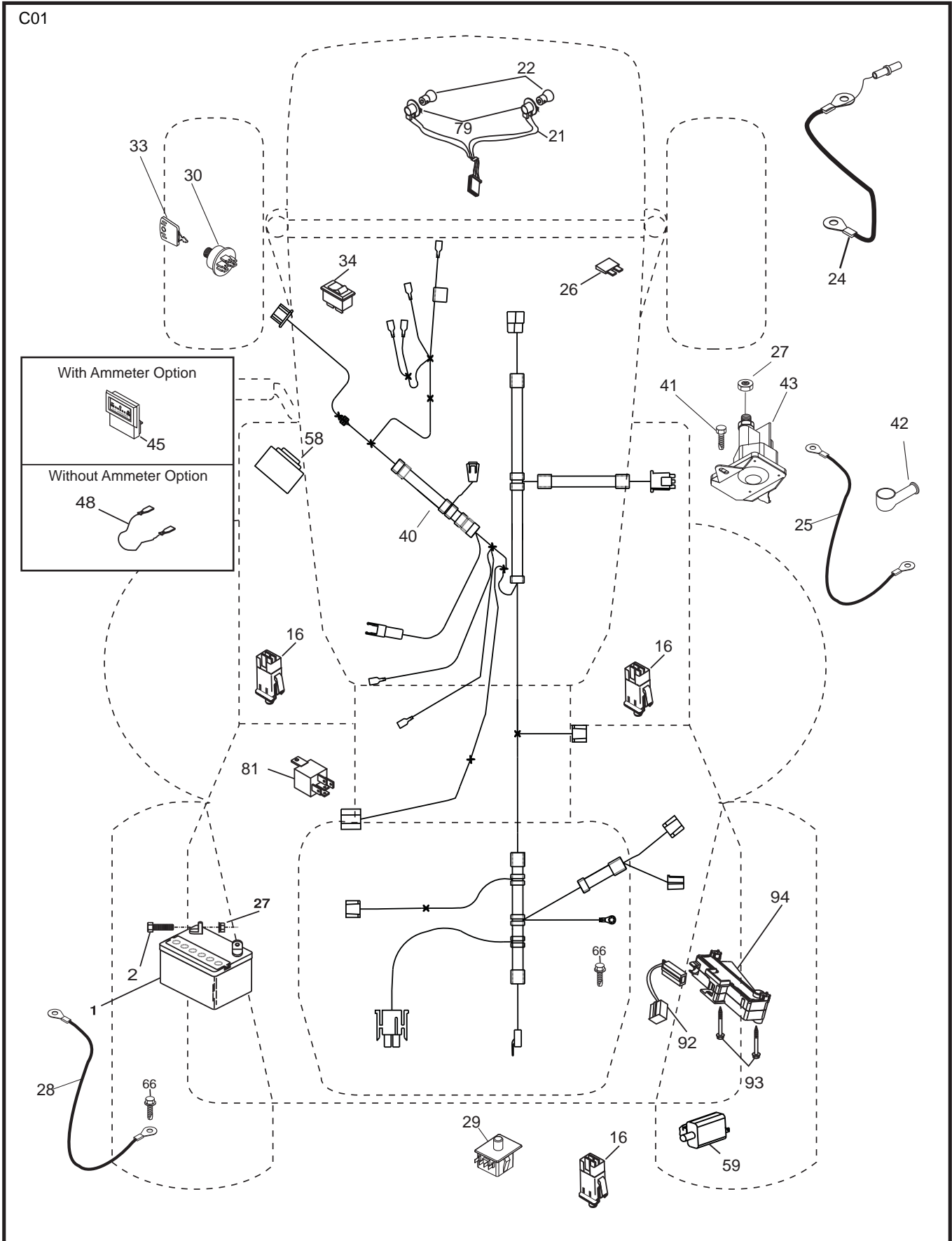
REMOVABLE CONNECTIONS

NON-REMOVABLE CONNECTIONS



RELAY

TRACTOR -- MODEL NO. CT141 (96061033900), PRODUCT NO. 960 61 03-39
 ELECTRICAL **32**

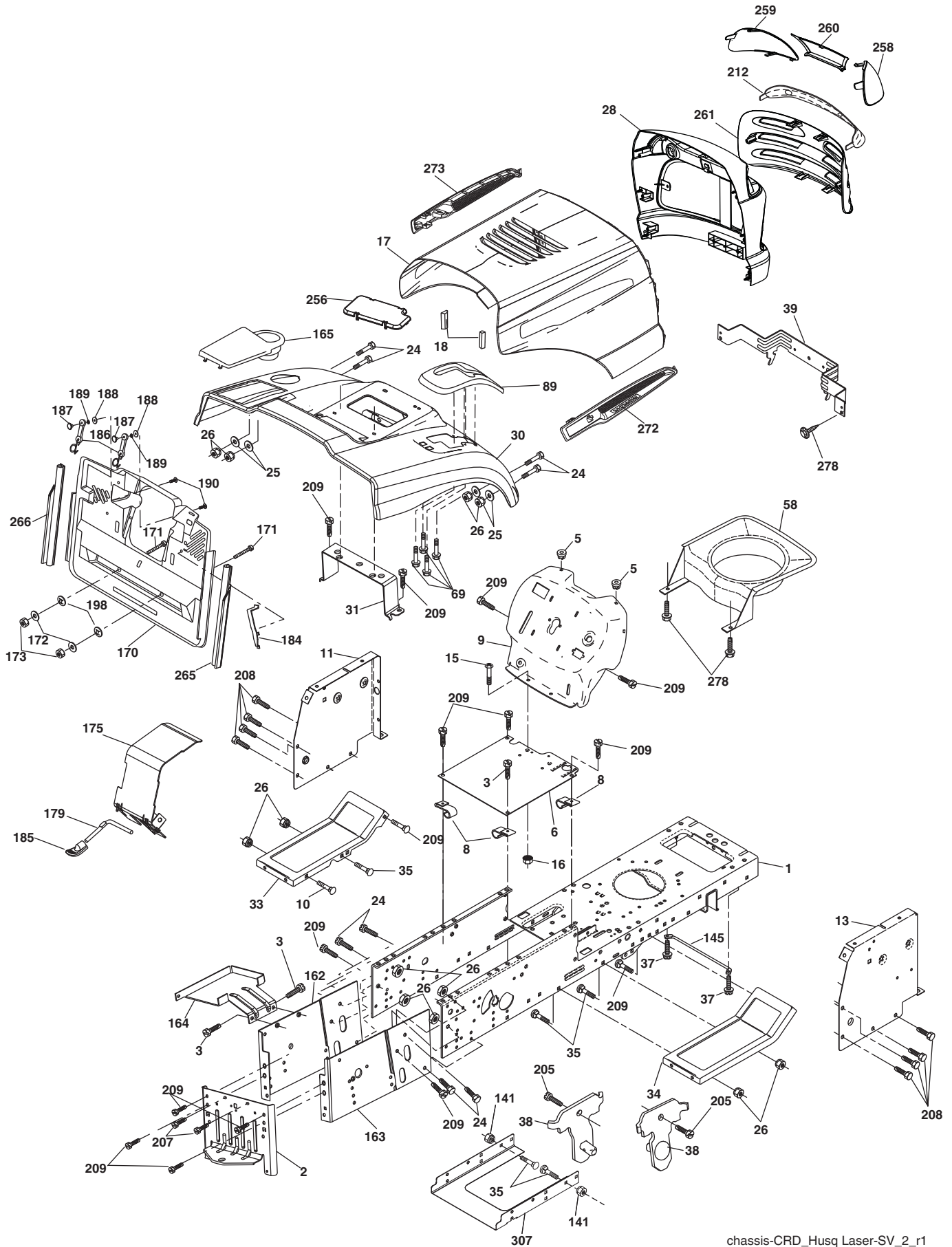


**TRACTOR -- MODEL NO. CT141 (96061033900), PRODUCT NO. 960 61 03-39
ELECTRICAL 32**

KEY NO.	PART NO.	DESCRIPTION
1	532 16 34-65	Battery
2	874 76 04-12	Bolt Hex Hd 1/4-20 unc x 3/4
16	532 17 61-38	Switch Interlock
21	532 17 56-88	Light Harness w/4152J
22	532 00 41-52	Bulb
24	532 16 59-87	Cable Battery Crd 56" Red
25	532 42 12-99	Cable Starter 6 Ga. 11" Red
26	532 17 51-58	Fuse
27	873 51 04-00	Nut Keps Hex 1/4-20 unc
28	532 12 77-25	Cable Ground 6 Ga. 18" Black
29	532 19 27-49	Switch Seat
30	532 19 33-50	Switch Ignition
33	532 41 19-35	Key/Chain
34	532 11 07-12	Switch Light
40	532 19 74-36	Harness Ign
41	871 11 04-08	Bolt Flk Fin Hex 1/4-20 unc x 1/2
42	532 13 15-63	Cover Terminal Red
43	532 19 25-07	Solenoid
48	532 14 08-44	Adapter Ammeter Rectangular
58	532 16 94-19	Buzzer CRD
59	532 18 03-79	Switch FBI CRD
66	817 49 06-08	Screw Thdrol 3/8-16 x 1/2 Ty-Tt
79	532 17 52-42	Socket Asm Bulb Twist
81	532 10 97-48	Relay Asm
92	532 19 66-15	Harness Pigtail
93	532 19 25-40	Screw Plastite 10-14 x 2.0
94	532 19 18-34	Module Reverse

NOTE: All component dimensions given in U.S. inches.
1 inch = 25.4 mm.

TRACTOR -- MODEL NO. CT141 (96061033900), PRODUCT NO. 960 61 03-39
CHASSIS AND ENCLOSURES **39**



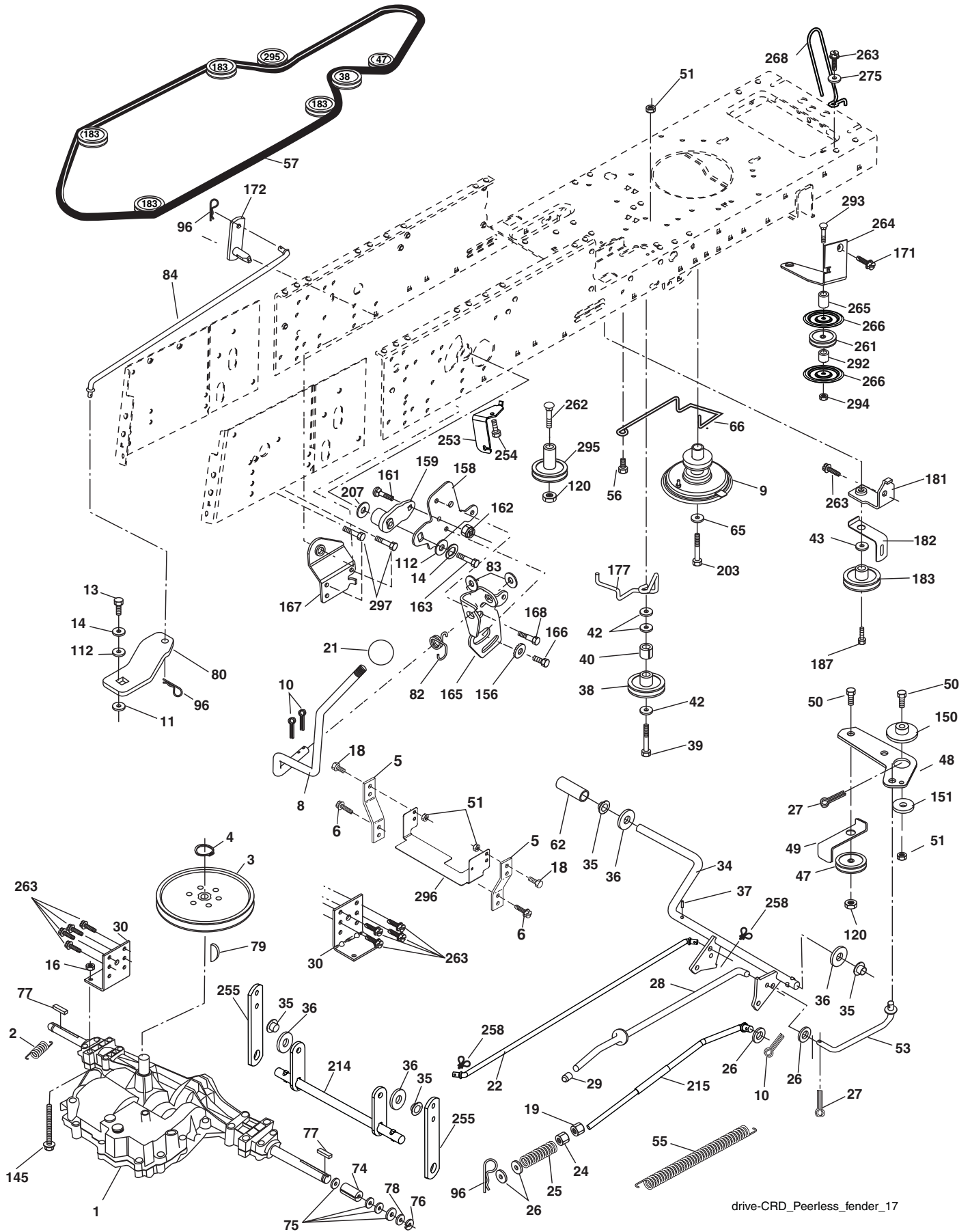
chassis-CRD_Husq Laser-SV_2_r1

**TRACTOR -- MODEL NO. CT141 (96061033900), PRODUCT NO. 960 61 03-39
CHASSIS AND ENCLOSURES 39**

KEY NO.	PART NO.	DESCRIPTION	KEY NO.	PART NO.	DESCRIPTION
1	532 17 46-20	Chassis	170	532 19 94-88	Backplate CRD
2	532 18 03-84	Drawbar	171	872 14 06-20	Bolt Rdhd Sqnk 3/8-16 x 2-1/2 Gr. 5
3	817 06 06-12	Screw 3/8-16 x 3/4	172	819 13 20-16	Washer 13/32 x 1-1/4 x 16 Ga.
5	532 15 52-72	Bumper Hood/Dash	173	873 51 06-00	Nut, Keps Hex 3/8-16 unc
6	532 18 44-19	Saddle	175	532 18 82-03	Door Trap
8	532 12 64-71	Clip Insulator 13/32 Mtg. Hole	179	532 18 82-02	Rod Pivot FBI CRD
9	532 19 46-88	Dash	184	532 17 46-62	Bracket Actuator Bagger CRD
10	872 14 06-08	Bolt, Carriage 3/8-16 x 3/4	185	532 44 14-16	Knob Rod Brake Parking
11	532 17 49-96	Panel, Dash, LH	186	532 16 07-93	Latch Asm Mulch/Bagger
13	532 17 21-06	Panel, Asm. Dash RH	187	532 12 50-04	Nut Weld
15	874 18 05-12	Screw, Machine, Truss Head 5/16-18 unc x 3/4	188	819 06 12-16	Washer #10
16	873 51 05-00	Nut	189	810 07 10-00	Washer Lock #10
17	532 44 29-23	Hood	190	871 08 10-10	Screw Pan Hd Phillip 10-24 x 5/8
18	532 18 49-21	Bumper Hood	198	532 16 89-37	Nut, Push
24	874 78 06-16	Bolt	205	817 49 06-08	Screw Thdrol 3/8-16 x 1/2
25	819 13 13-12	Washer 13/32 x 13/16 x 12 Ga.	207	817 67 05-08	Screw Thdrl. 5/16-18 x 1/2
26	873 80 06-00	Nut	208	817 67 06-08	Screw Thdrol 3/8-16 x 1/2
28	532 44 22-03	Grille	209	817 00 06-12	Screw Hex Wsh Thdrol 3/8-16
30	532 44 12-65	Fender	212	532 18 35-48	Insert Lens Reflect
31	532 16 51-56	Bracket, Fender Support	256	532 18 13-61	Cover Fender Rack
33	532 18 25-07	Footrest, LH	258	532 18 52-14	Lens RH
34	532 18 25-08	Footrest, RH	259	532 18 52-13	Lens LH
35	872 11 06-06	Bolt	260	532 44 22-02	Cover Lens
37	817 49 05-08	Screw Thdrol 5/16-18 x 1/2 TYT	261	532 44 22-01	Insert Grille
38	532 18 17-48	Bracket Asm Pivot Mower Rear	265	532 18 57-04	Seal RH Side Bagger
39	532 40 78-07	Bracket Pivot	266	532 18 57-03	Seal LH Side Bagger
58	532 18 42-70	Duct Air Engine	272	532 44 22-00	Vent Hood RH
69	532 14 24-32	Screw HxWsh Hi-Lo	273	532 44 21-99	Vent Hood LH
89	532 19 73-39	Console CRD	278	532 41 63-58	Screw #10 x .750 BOS Thread
141	873 90 06-00	Nut Lock 3/8-16 unc	307	532 44 18-39	Shield Chassis Front
145	532 40 91-67	Rod Pivot Chassis/Hood			
162	532 18 03-82	Bracket Exten Chassis LH CRD			
163	532 18 03-83	Bracket Exten Chassis RH CRD			
164	532 16 56-05	Support Battery CRD			
165	532 18 13-56	Cover Battery			

NOTE: All component dimensions given in U.S. inches.
1 inch = 25.4 mm.

TRACTOR -- MODEL NO. CT141 (96061033900), PRODUCT NO. 960 61 03-39
DRIVE **40**



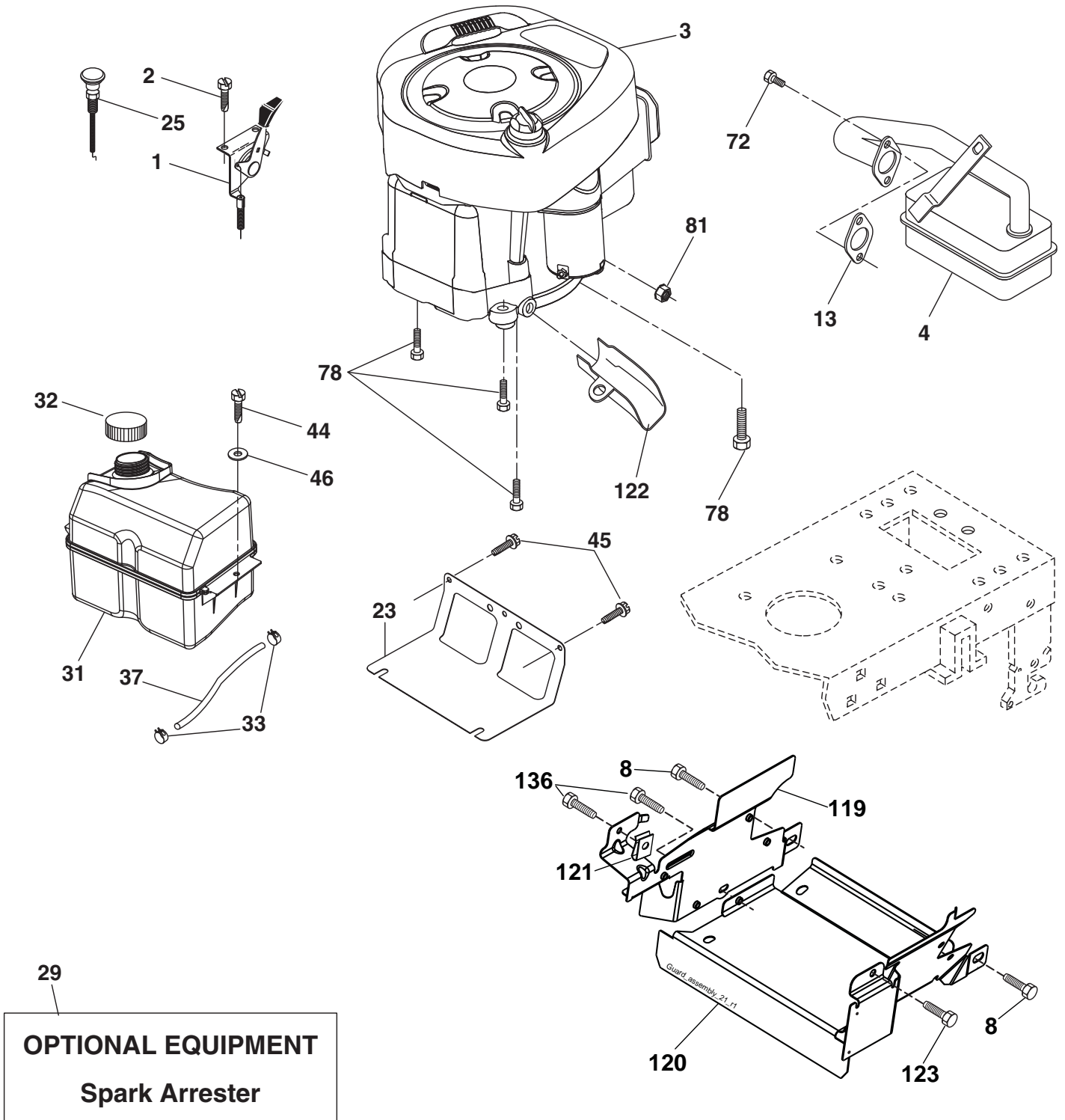
drive-CRD_Peerless_fender_17

TRACTOR -- MODEL NO. CT141 (96061033900), PRODUCT NO. 960 61 03-39
DRIVE 40

KEY NO.	PART NO.	DESCRIPTION	KEY NO.	PART NO.	DESCRIPTION
1	---	Transaxle Peerless 206-546 (165628) (Order parts from trans-axle manufacturer.)	80	532 14 50-90	Arm Shift PMST 20" Tires
2	532 14 66-82	Spring Brake Return	82	532 16 57-11	Spring, Torsion
3	532 16 59-99	Pulley Transaxle	83	819 17 12-16	Washer 17/32 x 3/4 x 16 Ga.
4	812 00 00-28	Ring Retainer #5100-62	84	532 16 56-21	Link Shift CRD Pmst 18" Tires
5	532 12 15-20	Strap Torque 30 Degrees	96	532 12 47-88	Spring, Retainer 1"
6	817 06 05-12	Screw 5/16-18 x 3/4	112	819 09 12-10	Washer 9/32 x 3/4 x 10 Ga.
8	532 19 27-06	Rod Shift	120	873 90 06-00	Nut Lock Flg. 3/8-16 unc
9	532 40 85-79	Clutch Noram	145	874 49 05-40	Bolt Hex Flghd 5/16-18 x 2-1/2 G5
10	876 02 04-16	Pin, Cotter 1/8 x 1	150	532 16 58-50	Bushing, Bellcrank Grnd Dr
11	532 10 57-01	Washer Plate Shf .3888 Sq Hole	151	819 13 32-10	Washer 13/32 x 2 x 10 Ga.
13	874 55 04-12	Bolt 1/4-28 unf Gr. 8 w/Patch	156	532 16 60-02	Washer Srred 5/16 ID x 1.125
14	810 04 04-00	Washer, Lock Hvy Helical	158	532 43 74-58	Bracket Shift Mount
16	873 80 05-00	Nut, Lock Hex w/Ins 5/16-18 unc	159	532 18 39-00	Hub Shift
18	874 78 06-16	Bolt Hex 3/8-16 unc x 1 Gr. 5	161	872 14 04-06	Bolt Rdhd Sqnk 1/4-20 x 3/4 Gr. 5
19	873 80 06-00	Nut, Lock Hex w/Wsh 3/8-16 unc	162	873 68 04-00	Nut Crownlock 1/4-20 unc
21	532 10 69-33	Knob	163	874 78 04-16	Bolt Hex Fin 1/4-20 unc x 1 Gr. 5
22	532 17 56-07	Rod, Brake CRD	165	532 43 82-50	Bracket Pivot Lever
24	873 35 06-00	Nut	166	817 49 05-10	Screw 5/16-18 x 5/8
25	532 10 68-88	Spring, Rod, Brake	167	532 16 55-88	Bracket Support Shift CRD
26	819 13 13-16	Washer 13/32 x 13/16 x 16 Ga.	168	532 16 54-92	Bolt Shoulder 5/16-18 x .561
27	876 02 04-12	Pin, Cotter 1/8 x 3/4	171	817 49 06-08	Screw Thdrol 3/8-16 x 1/2 Ty-Tt
28	532 17 57-65	Rod, Parking Brake	172	532 16 56-35	Shaft Asm Shift Front CRD PMST
29	532 07 16-73	Cap Brake Parking	177	532 16 59-32	Keeper Flat Idler 3.06" CRD
30	532 17 49-73	Bracket, Mfg. Transaxle	181	532 18 02-11	Bracket Idler Ground Drive CRD
34	532 17 55-78	Shaft, Asm Pedal Foot	182	532 18 26-82	Keeper Belt 2.5" Od V-Idler CRD
35	532 12 01-83	Bearing, Nylon	183	532 19 95-34	Pulley V-Idler
36	819 21 16-16	Washer 21/32 x 1 x 16 Ga.	187	817 58 05-20	Screw 5/16-18 x 1.25
37	532 12 49-63	Pin, Roll 3/16 x 1"	203	871 17 07-80	Bolt Hex 7/16-20 x 5
38	532 16 59-36	Pulley, Flat	207	532 16 98-45	Washer Nylon Rear
39	874 76 06-44	Bolt Fin Hex 3/8-16 unc x 2-3/4	214	532 17 56-09	Shaft Asm Blade
40	532 12 49-65	Spacer, Split 395 x 59 Bzp	215	532 41 01-42	Rod Brake
42	819 13 13-12	Washer 13/32 x 13/16 x 12 Ga.	253	532 17 50-28	Bracket Cable Chassis
43	819 11 10-12	Washer 11/32 x 5/8 x 12 Ga.	254	817 00 06-16	Screw 3/8-16 x 1
47	532 12 77-83	Pulley, Idler, V Groove Plastic	255	532 17 56-08	Brace Shaft Brake Mtg.
48	532 15 44-07	Bellcrank Clutch Grnd Drv	258	532 17 80-62	Clip Retainer
49	532 12 32-05	Retainer, Belt Style Spring	261	532 13 14-94	Pulley Idler
50	872 11 06-12	Bolt 3/8-16 unc x 1-1/2	263	817 00 06-12	Screw 3/8-16 x 3/4
51	873 68 06-00	Nut, Crownlock 3/8-16 unc	262	872 11 06-22	Bolt Rdhd 3/8-16 unc x 2-3/4 Gr. 5
53	532 19 96-52	Link, Clutch 7.66	264	532 43 11-74	Bracket Idler
55	532 10 57-09	Spring, Return, Clutch	265	532 42 69-13	Spacer Idler Chassis
56	817 06 06-20	Screw 3/8-16 x 1-1/4	266	532 18 20-61	Shield Idler Mower
57	532 16 56-31	V-Belt Drive	268	532 18 24-02	Guard Muffler RH
62	532 12 48-72	Cover, Pedal	275	819 13 16-14	Washer 13/32 x 1 x 14 Ga.
65	810 04 07-00	Washer	292	532 40 02-71	Spacer
66	532 15 47-78	Keeper, Belt Engine F-Proof	293	872 14 06-28	Bolt Rdhd Sqnk 3/8-16 x 3-1/2
74	532 13 70-57	Spacer Axle	294	532 19 70-33	Nut Jam 3/8-16
75	532 12 17-49	Washer 25/32 x 1-1/4 x 16 Ga.	295	532 17 91-14	Pulley Idler
76	812 00 00-01	Ring, E	296	532 42 09-20	Shield Chassis
77	532 12 35-83	Key, Square	297	817 49 06-10	Screw Hxwsh Thdr 3/8-16 x 5/8
78	532 12 17-48	Washer 25/32 x 1-5/8 x 16 Ga.			
79	532 12 50-96	Key Woodruff			

NOTE: All component dimensions given in U.S. inches.
1 inch = 25.4 mm.

TRACTOR -- MODEL NO. CT141 (96061033900), PRODUCT NO. 960 61 03-39
ENGINE [24]



TRACTOR -- MODEL NO. CT141 (96061033900), PRODUCT NO. 960 61 03-39 ENGINE **24**

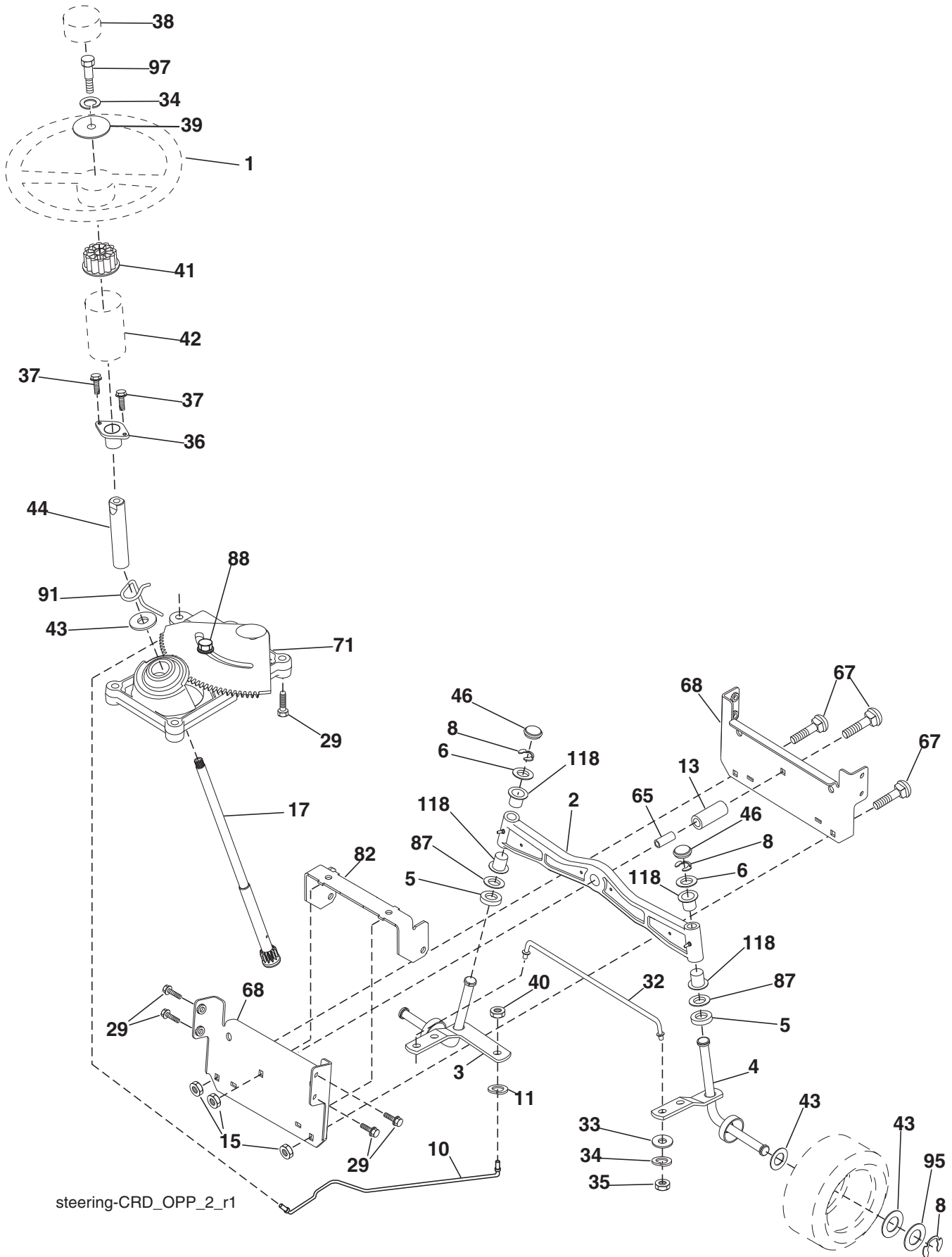
KEY NO.	PART NO.	DESCRIPTION
1	532 17 05-51	Control Throttle/Choke
2	817 72 04-08	Screw Hex Thd Cut 1/4-20 x 1/2
3	— — — — —	Engine Briggs Model 31A507-2391-B1 (438618) (Order parts from engine manufacturer.)
4	532 13 73-52	Muffler
8	532 17 18-77	Bolt 5/16 -18 unc x 3/4
13	532 16 52-91	Gasket Muffler
23	532 16 98-37	Shield Brn/Dbr Guard
25	532 19 06-95	Control Choke
29	532 13 71-80	Kit Spark Arrestor
31	532 40 75-51	Tank Fuel
32	532 43 02-20	Cap Asm Fuel
33	532 12 34-87	Clamp Hose Blk
37	532 13 70-40	Line Fuel
44	817 67 04-12	Screw Hexwsh Thdrol 1/4-20 x 3/4
45	817 00 06-12	Screw Hexwsh Thdr 3/8-16 x 3/4
46	819 09 14-16	Washer 9/32 x 7/8 x 16 Ga.
72	532 19 23-34	Screw 5/16-18 x .75
78	817 06 06-20	Screw 3/8-16 x 1-1/4
81	873 51-04-00	Nut Keps Hex 1/4-20 unc
119	532 19 97-68	Guard Engine LH
120	532 19 97-67	Guard Engine RH
121	532 19 66-88	Clips Threaded
122	532 42 19-22	Extension Drain Oil
123	817 67 05-08	Screw THD Roll 5/16-18 x 1/2
136	532 13 77-29	Screw THD Roll 1/4-2 x 5/8

NOTE: All component dimensions given in U.S. inches
1 inch = 25.4 mm

Engine Power Rating Information

The gross power rating for individual gas engine models is labeled in accordance with SAE (Society of Automotive Engineers) code J1940 (Small Engine Power & Torque Rating Procedure), and rating performance has been obtained and corrected in accordance with SAE J1995 (Revision 2002-05). Torque values are derived at 3060 RPM; horsepower values are derived at 3600 RPM. Actual gross engine power will be lower and is affected by, among other things, ambient operating conditions and engine-to-engine variability. Given both the wide array of products on which engines are placed and the variety of environmental issues applicable to operating the equipment, the gas engine will not develop the rated gross power when used in a given piece of power equipment (actual "on-site" or net power). This difference is due to a variety of factors including, but not limited to, accessories (air cleaner, exhaust, charging, cooling, carburetor, fuel pump, etc.), application limitations, ambient operating conditions (temperature, humidity, altitude), and engine-to-engine variability. Due to manufacturing and capacity limitations, Briggs & Stratton may substitute an engine of higher rated power for this Series engine.

TRACTOR -- MODEL NO. CT141 (96061033900), PRODUCT NO. 960 61 03-39
STEERING ASSEMBLY 41

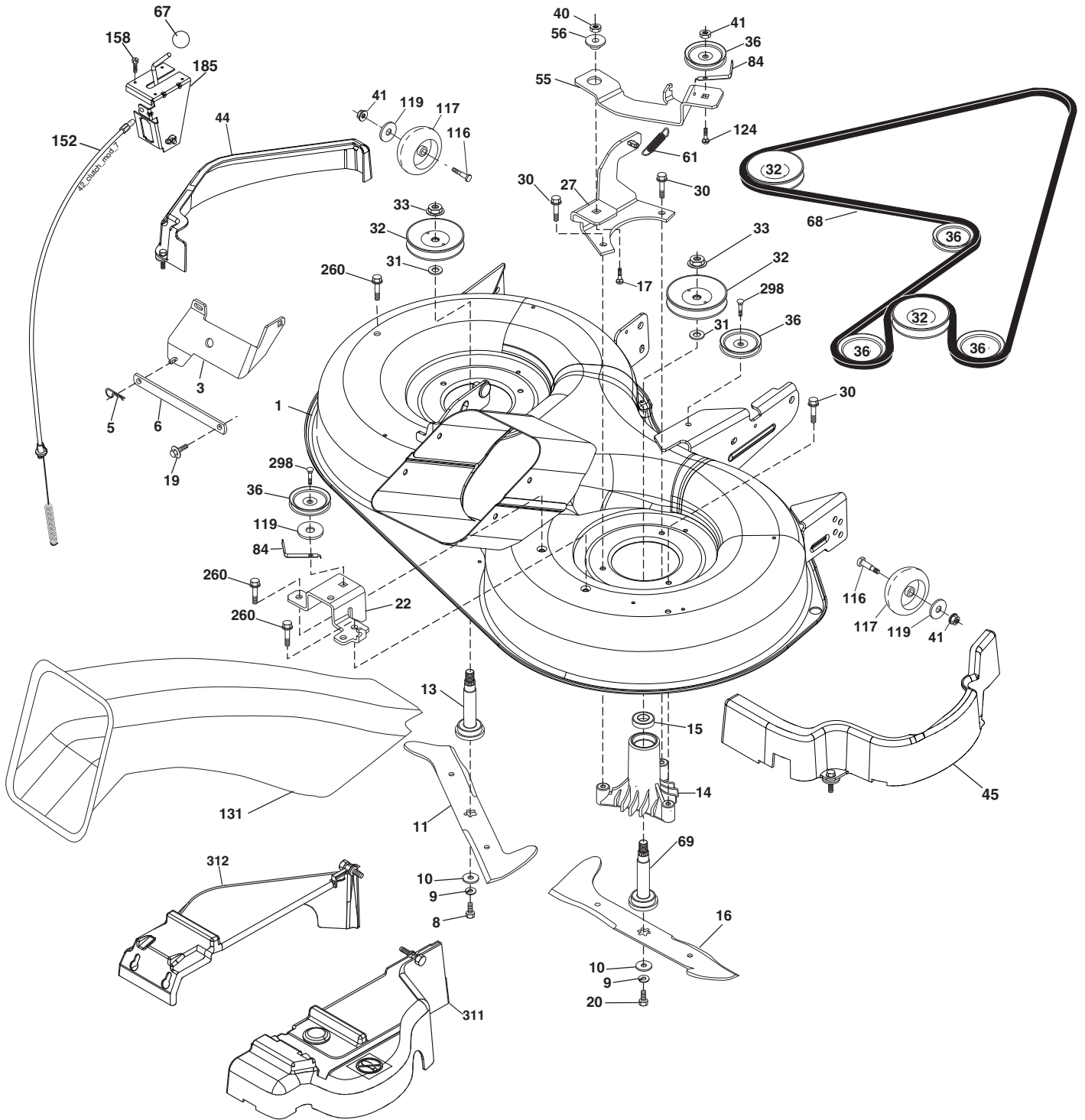


**TRACTOR -- MODEL NO. CT141 (96061033900), PRODUCT NO. 960 61 03-39
STEERING ASSEMBLY 41**

KEY NO.	PART NO.	DESCRIPTION
1	532 18 67-80	Steering Wheel
2	532 19 35-42	Front Axle Assembly
3	532 16 98-40	Spindle Assembly, LH
4	532 16 98-39	Spindle Assembly, RH
5	532 12 49-31	Washer Thrust .75 X 1.230
6	532 12 17-48	Washer 25/32 x 1-5/8 x 16 Ga.
8	812 00 00-29	Ring, Klip
10	532 17 51-21	Link, Drag
11	810 04 06-00	Washer, Lock
13	532 13 65-18	Spacer Axle
15	873 90 06-00	Nut Flange Lock 3/8-16
17	532 19 07-53	Shaft Assembly, Steering
29	817 00 06-12	Screw 3/8-16 x 3/4
32	532 17 01-62	Rod, Tie
33	819 11 12-16	Washer 11/32 x 3/4 x 16 Ga.
34	810 04 05-00	Washer Lock Hvy Hlcl Spr 5/16
35	873 54 05-00	Crownlock Nut 5/16-24 unf
36	532 15 50-99	Bushing, Steering
37	532 15 29-27	Screw TT #10-32 x 5 x 3/8 Flange
38	532 19 29-16	Cap Wheel Steering
39	819 11 38-12	Washer 11/32 ID x 2 3/8 OD x 12 Ga.
40	873 54 06-00	Nut Crownlock 3/8-24 unf
41	532 18 67-37	Adaptor, Steering Wheel
42	532 16 96-33	Boot, Steering
43	532 12 17-49	Washer 25/32 x 1-1/4 x 16 Ga.
44	532 19 07-52	Extension Steering
46	532 12 12-32	Cap, Spindle
65	532 41 47-36	Spacer Axle
67	872 11 06-18	Bolt Rdhd Sq 3/8-16 x 2-1/4
68	532 16 98-27	Brace Axle
71	532 17 51-46	Steering Asm.
82	532 19 99-78	Bracket Susp. Chassis Front
87	532 17 39-66	Washer Flat .781 x 1-1/2 x .14
88	532 17 51-18	Bolt Shoulder 7/16-20 unc
91	532 17 55-53	Clip Steering
95	532 18 89-67	Washer
97	532 42 89-82	Bolt Fin Hx 5/16-18 x 4
118	532 40 60-13	Bushing

NOTE: All component dimensions given in U.S. inches
1 inch = 25.4 mm

TRACTOR -- MODEL NO. CT141 (96061033900), PRODUCT NO. 960 61 03-39
MOWER DECK 44



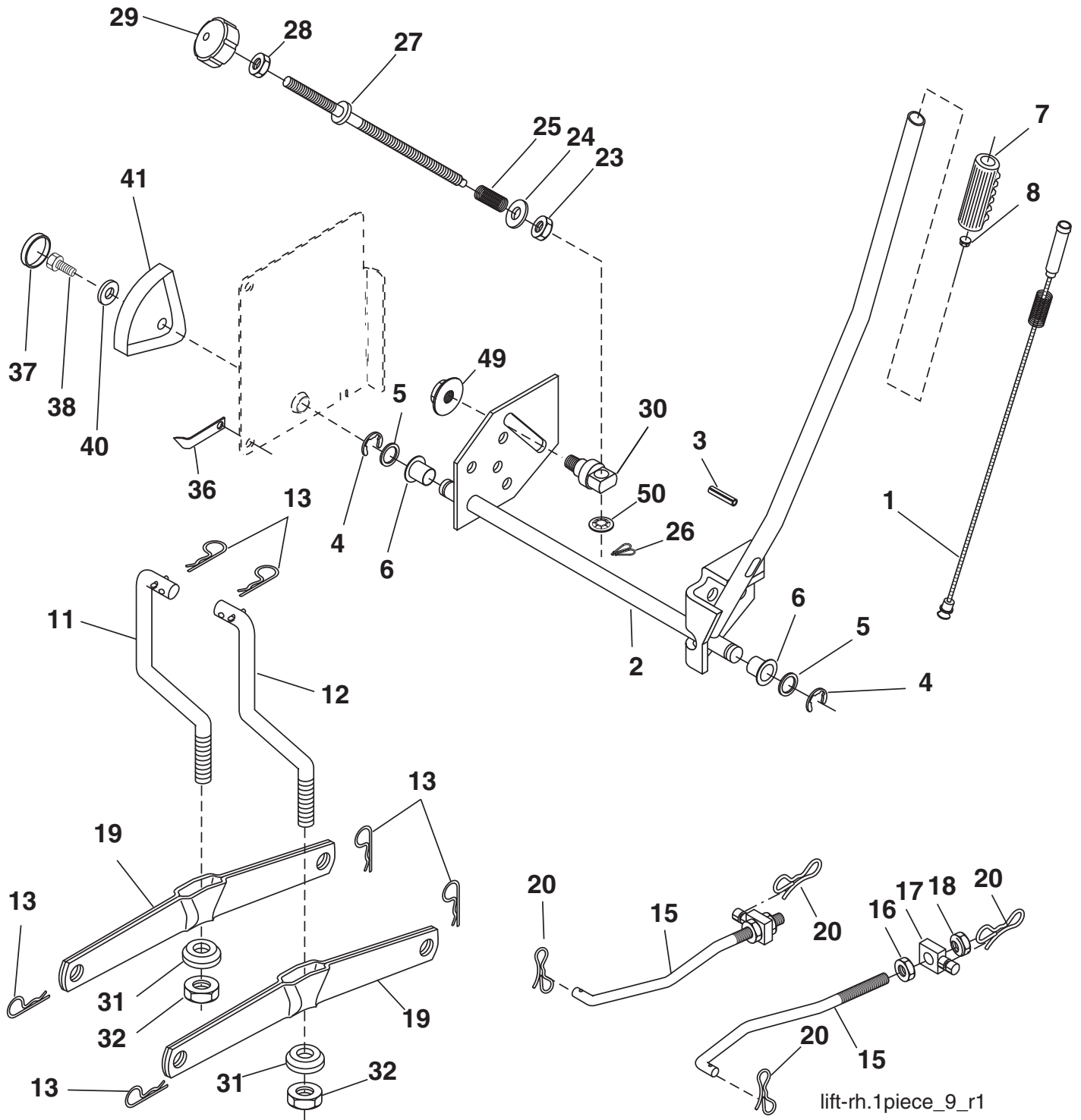
Deck-CRD_97cm_Elect_9

**TRACTOR -- MODEL NO. CT141 (96061033900), PRODUCT NO. 960 61 03-39
MOWER DECK 44**

KEY NO.	PART NO.	DESCRIPTION	KEY NO.	PART NO.	DESCRIPTION
1	532 42 91-21	Housing Asm. Mower 97 CRD	67	532 10 69-32	Knob Rd 3/8-16
3	532 43 18-64	Bracket Asm. S-Bar Chass 97 CRD	68	532 42 95-32	Belt Drive 97 Mower
5	532 12 46-70	Retainer Spring	69	532 16 54-82	Shaft Asm w/Lwr Brg RH Thd CRD
6	532 16 55-57	Bar Sway 97 CRD	84	532 15 60-85	Keeper Belt Idler
8	532 18 17-12	Bolt 3/8-24 x 1.25 Gr. 8 Patched	116	532 19 34-06	Bolt Shoulder
9	810 03 06-00	Washer Lock Hvy 3/8 Unplated	117	532 17 48-73	Wheel Gage
10	532 14 02-96	Washer Hard	119	819 13 20-12	Washer 13/32 x 1-1/4 x 12 GA.
11	532 42 79-84	Blade 3-1 LH 97 CRD	124	872 11 06-12	Bolt Carr Sh 3/8-16 x 1-1/2 Gr. 5
13	532 13 76-45	Shaft Asm. w/Lower Bearing	131	532 16 56-61	Chute Bagger CRD 97cm
14	532 12 87-74	Housing Mandrel Vented (Machd)	152	532 17 60-74	Cable Clutch
15	532 11 04-85	Bearing Ball Mandrel	158	817 72 04-08	Screw Thd Cut 1/4-20 x 1/2
16	532 42 79-85	Blade 3-1 RH 97 CRD	185	532 18 82-34	Head Asm. Cable Clutch
17	872 14 06-10	Bolt Carriage 3/8-16 x 1-1/4	260	817 67 06-08	Screw Thdrol 3/8-16 x 1/2
19	532 13 28-27	Bolt Shoulder 5/16-18 Thd Form	298	817 49 06-28	Screw Thdrol 3/8-16 x 1-3/4
20	532 18 17-13	Bolt 3/8-24 x 1.25 Gr. 8 Ptch Lhthd	311	532 43 07-74	Cover Deck RH
22	532 43 11-69	Bracket Idler Sprt 97 CRD	312	532 43 07-75	Cover Deck LH
27	532 42 79-81	Bracket Asm. Susp. Rear RH	--	532 18 18-57	Mandrel Assembly (Includes hous- ing, shaft assembly, and bear- ing only - pulley/nut/washer and blade bolt/washers not included)
30	532 17 39-84	Screw Thd Rolling	--	532 18 18-58	Mandrel Asm CRDLH Threads SVC
31	532 18 76-90	Washer Spacer Mower Vented	--	532 43 30-38	Replacement Mower, Com- plete (Std. Deck - Order sep- arately guage wheel compo- nents key nos. 116, 117 & 119)
32	532 15 35-32	Mandrel Pulleys			
33	532 40 02-34	Nut Flg Top Lock			
36	532 14 67-63	Pulley Idler V-Groove Dim 4.25			
40	873 68 06-00	Nut Crownlock 3/8-16 unc			
41	873 90 06-00	Nut Lock Flg. 3/8-16 unc			
44	532 43 02-10	Cover Mandrel LH 97 CRD			
45	532 43 02-09	Cover Mandrel RH 97 CRD			
55	532 19 94-98	Arm Idler 97 CRD			
56	532 16 57-23	Spacer Retainer Mower			
61	532 19 94-86	Spring Tension Belt			

NOTE: All component dimensions given in U.S. inches
1 inch = 25.4 mm

TRACTOR -- MODEL NO. CT141 (96061033900), PRODUCT NO. 960 61 03-39
 MOWER LIFT **45**

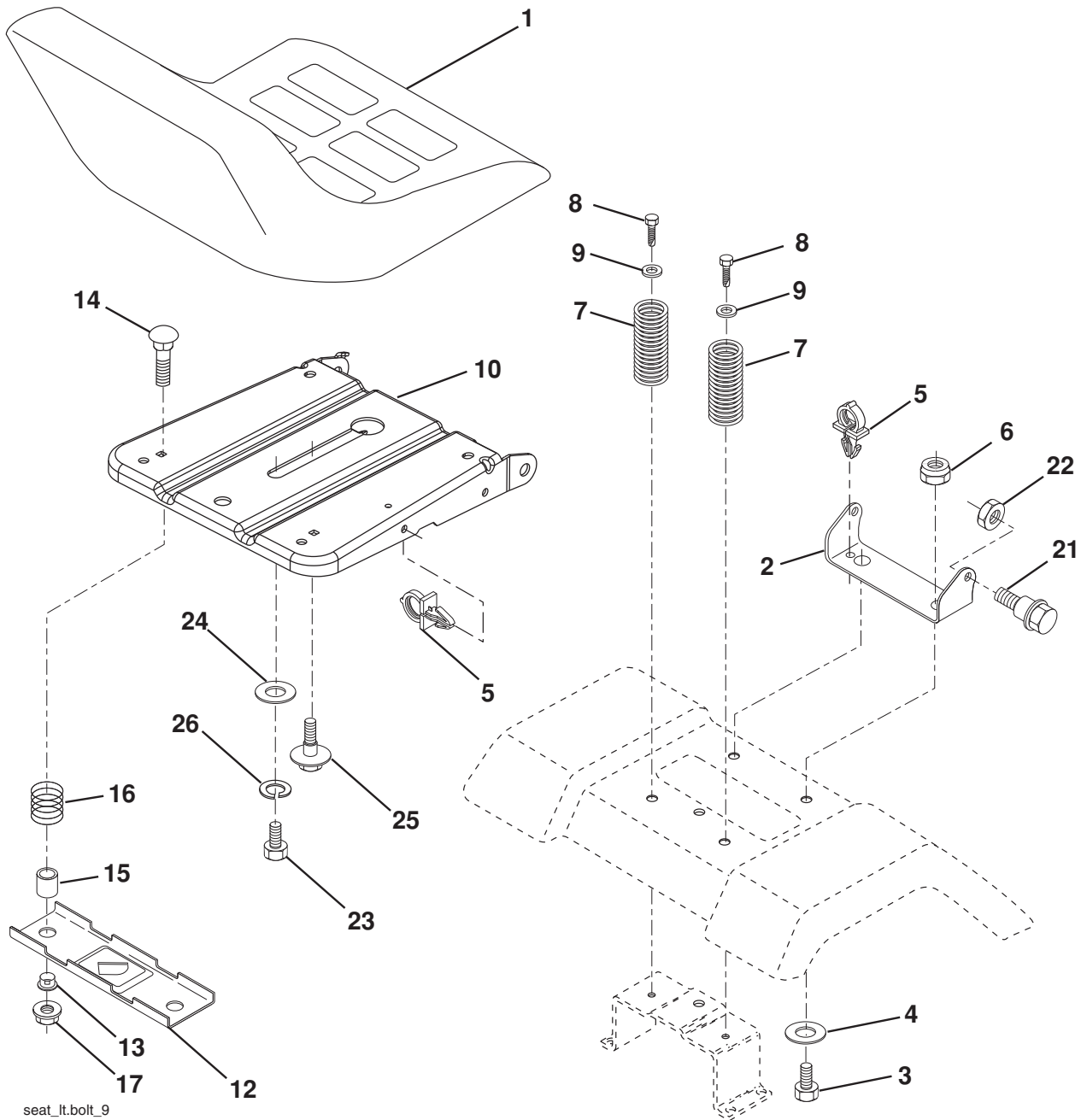


**TRACTOR -- MODEL NO. CT141 (96061033900), PRODUCT NO. 960 61 03-39
MOWER LIFT 45**

KEY NO.	PART NO.	DESCRIPTION
1	532 40 49-81	Plunger Asm. Lift Lever
2	532 15 94-71	Shaft Asm. Lift
3	532 10 57-67	Pin Groove
4	812 00 00-02	E Ring #5133-62
5	819 21 16-21	Washer 21/32 x 1 x 21 Ga.
6	532 12 01-83	Bearing Nylon
7	532 10 94-13	Grip Handle
8	532 12 45-26	Button Plunger Black
11	532 13 98-65	Link Lift LH
12	532 13 98-66	Link Lift RH
13	532 12 46-70	Retainer Spring
15	532 17 32-88	Link Front
16	873 35 08-00	Nut Jam Hex 1/2-13 unc
17	532 17 56-89	Trunnion
18	873 80 08-00	Nut Lock w/Wsh 1/2-13 unc
19	532 13 98-68	Arm Suspension Mower
20	532 19 42-09	Pin Cotter 7/16 Bow Tie Lock
23	532 11 08-07	Nut Special
24	819 13 10-16	Washer 13/32 x 5/8 x 16 Ga.
25	532 12 48-74	Spring 2-1/8
26	532 16 94-84	Retainer Clip
27	532 12 69-71	Rod Adj Lift Zinc
28	873 35 06-00	Nut Hex Jam 3/8-16 unc
29	532 13 80-57	Knob Inf 3/8-16 unc
30	532 15 02-33	Trunnion Infin Height
31	532 16 98-65	Bearing, Pvt. Lift.
32	873 54 06-00	Nut Crownlock 3/8-24
36	532 15 50-97	Pointer Height Indicator
37	532 12 39-35	Plug Hole Blk
38	817 06 05-16	Screw 5/16-18 x 1
40	819 11 24-10	Washer 11/32 x 1-1/2 x 10 Ga.
41	532 12 39-34	Scale Ind Height Blk
49	532 40 91-49	Nut Hex Flange
50	532 11 04-52	Nut Push Phos & Oil

NOTE: All component dimensions given in U.S. inches.
1 inch = 25.4 mm

**TRACTOR -- MODEL NO. CT141 (96061033900), PRODUCT NO. 960 61 03-39
SEAT ASSEMBLY [42]**



seat_lt.bolt_9

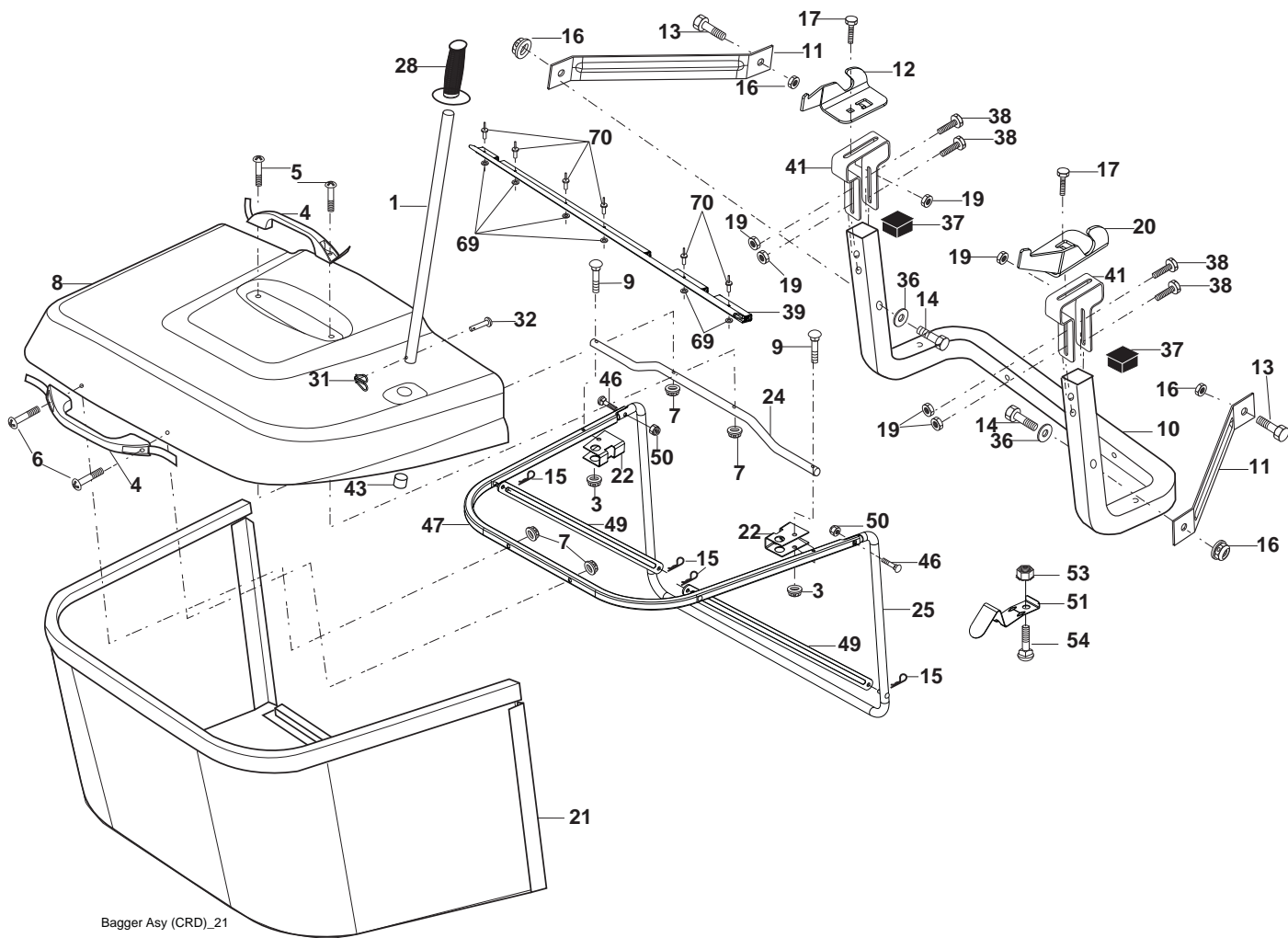
KEY NO.	PART NO.	DESCRIPTION
1	532 40 10-42	Seat
2	532 14 05-51	Bracket Pnt Pivot Fender
3	871 11 06-16	Bolt Fin Hex 3/8-16 x 1
4	819 13 16-10	Washer Flat 13/32 x 1 x 10 Ga.
5	532 14 50-06	Clip Push In Hinged
6	873 80 06-00	Nut Lock Hex w/Ins 3/8-16
7	532 12 41-81	Spring Seat Cprsn 2 250 Blk Zi
8	817 00 06-16	Screw 3/8-16 x 1.5
9	819 13 16-14	Washer 13/32 x 1 x 14 Ga
10	532 19 55-30	Pan Pnt Seat
12	532 17 46 48	Bracket Pnt Mounting Switch
13	532 12 12-48	Bushing Snap Blk Nyl 50 Id
14	872 05 04-12	Bolt Rdhd Sht Nk 1/4-20 x 1-1/2

KEY NO.	PART NO.	DESCRIPTION
15	532 13 43-00	Spacer Split
16	532 12 12-50	Spring Cprsn
17	532 12 39-76	Nut Lock 1/4 Lge Flg Gr. 5 Zinc
21	532 17 18-52	Bolt Shoulder 5/16-18 unc-2A
22	873 80 05-00	Nut Hex Lock w/Ins 5/16-18
23	871 11 08-14	Bolt Hex Black
24	819 17 19-12	Washer 17/32 x 1-3/16 x 12 Ga.
25	532 12 70-18	Bolt Shoulder 5/16-18 x .62
26	810 04 08-00	Washer Lock HVY HLCL SPR 1/2

NOTE: All component dimensions given in U.S. inches
1 inch = 25.4 mm

TRACTOR -- MODEL NO. CT141 (96061033900), PRODUCT NO. 960 61 03-39

BAGGER 46



KEY NO.	PART NO.	DESCRIPTION	KEY NO.	PART NO.	DESCRIPTION
1	532 42 86-10	Tube Handle Bagger CRD	28	532 16 57-87	Grip Handle
3	532 12 39-76	Nut Lock 1/4 Lge Flg Gr. 5 Zinc	31	532 16 94-84	Retainer Clip
4	532 16 99-16	Handle Bagger w/Lvrs Blk CRD	32	532 12 68-75	Rivet Rd Hd Drilled 3/8 Dia.
5	874 98 10-24	Screw Pan Head #10-24 x 1.50	36	819 13 20-12	Washer 13/32 x 1-1/4 x 12 Ga.
6	874 98 10-32	Screw Pan Hd	37	532 44 48-48	Plug Support Bagger CRD
7	873 40 10-00	Nut Wiz Lock Hex Serr/Hd 10-24	38	872 01 05-20	Bolt 5/16-18 x 2-1/2
8	532 44 15-43	Cover Bagger	39	532 41 62-57	Seal
9	872 14 04-18	Bolt Carr. 1/4-20 x 2.25d x Gr. 5	41	532 43 27-55	Bracket Pnt Adj Pvt Bagger CRD
10	532 18 12-82	Tube Support Bagger CRD	43	532 17 40-83	Plug Tubing End
11	532 16 57-19	Bracket Support Upper Bag CRD	46	872 11 05-10	Bolt Carr. 5/16-18 x 1-1/4 Gr. 5
12	532 18 88-48	Bracket Pivot LH	47	532 19 37-04	Tube Upper Bagger
13	874 76 06-12	Bolt Fin Hex 3/8-16 unc x 3/4	49	532 19 33-05	Bar Spreader
14	874 52 06-36	Bolt Fin Hex 3/8-16 x 2-1/4 Gr. 5	50	873 80 05-00	Nut Lock Hex w/Ins. 5/16-18 unc
15	532 12 46-70	Retainer Spring	51	532 19 99-03	Latch Spring Bagger
16	873 90 06-00	Nut Lock Flange 3/8-16 unc	53	873 51 04-00	Nut Keps Hex 1/4-20 unc
17	872 14 05-06	Bolt Rdhd Sht Sqnk 5/16-18 uncl x 3/4	54	872 14 04-06	Bolt Rdhd Sqnk 1/4-20 x 3/4 Gr. 5
19	873 90 05-00	Nut Lock Hex Flange 5/16-18	69	532 43 56-11	Washer 125
20	532 18 88-47	Bracket Pivot RH	70	532 43 56-03	Rivet Pop.125 x .750
21	532 40 61 80	Bag Asm CRD			
22	532 42 82-36	Bracket Side Bagger CRD			
24	532 16 57-83	Tube Pivot Bagger CRD			
25	532 19 37-05	Tube Front Bagger			

NOTE: All component dimensions given in U.S. inches
1 inch = 25.4 mm

