

CTH150

Spare parts

Ersatzteile

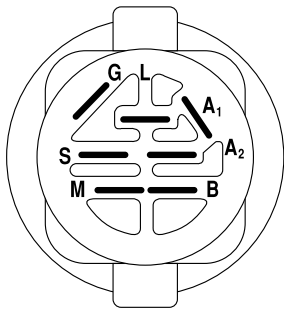
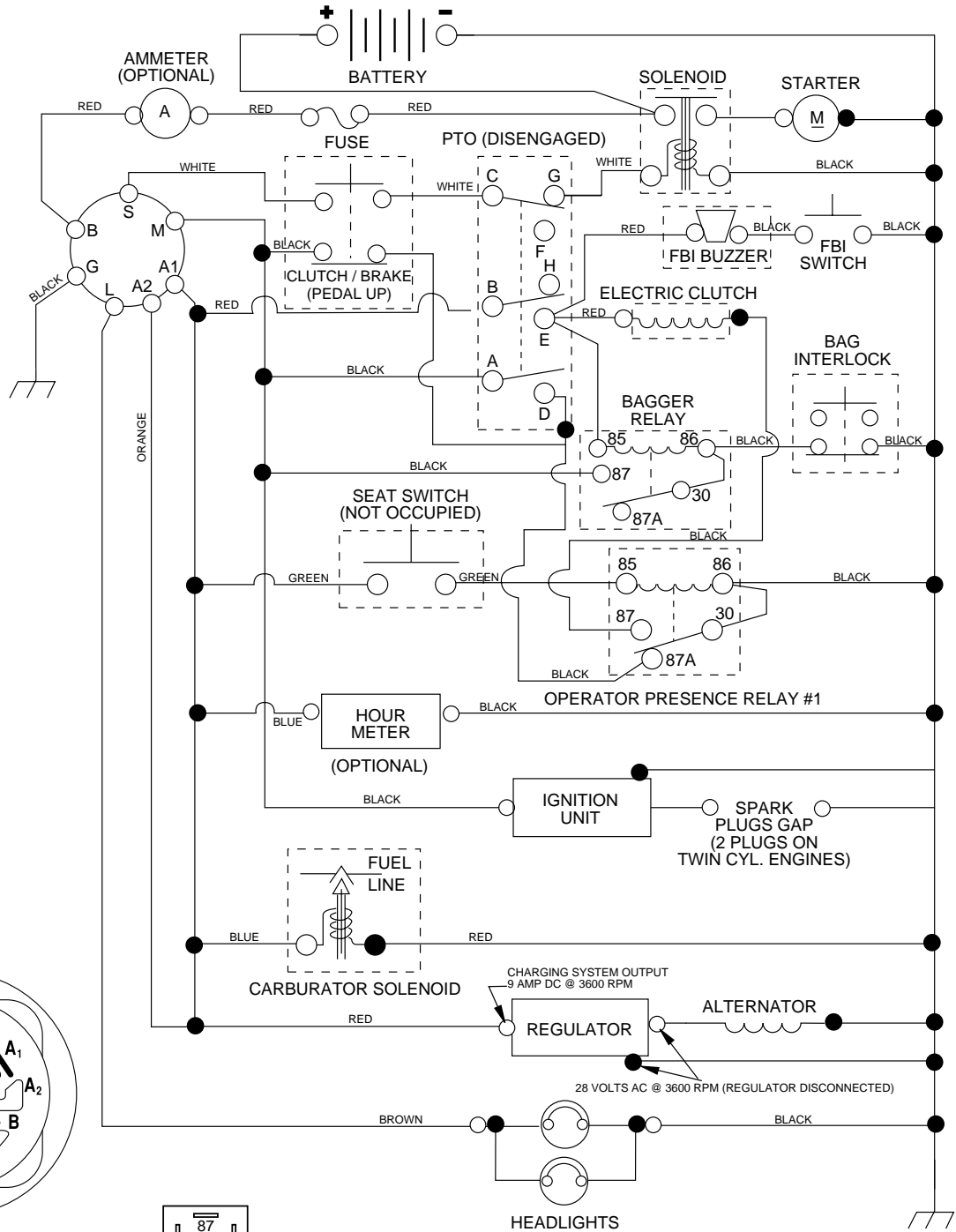
Pièces détachées

Reserve onderdelen

Repuestos

Reservdelar

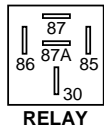
TRACTOR- -MODEL NO. CTH150 (HECTH150A), PRODUCT NO. 954 17 00-38 SCHEMATIC



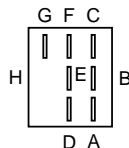
IGNITION SWITCH

POSITION	CIRCUIT	"MAKE"
OFF	M+G+A1	NONE
RUN/LIGHT	B+A1	A2+L
RUN	B+A1	NONE
START	B + S + A1	NONE

WIRING INSULATED CLIPS
NOTE: IF WIRING INSULATED CLIPS WERE REMOVED FOR SERVICING OF UNIT, THEY SHOULD BE REPLACED TO PROPERLY SECURE YOUR WIRING.



RELAY



PTO SWITCH

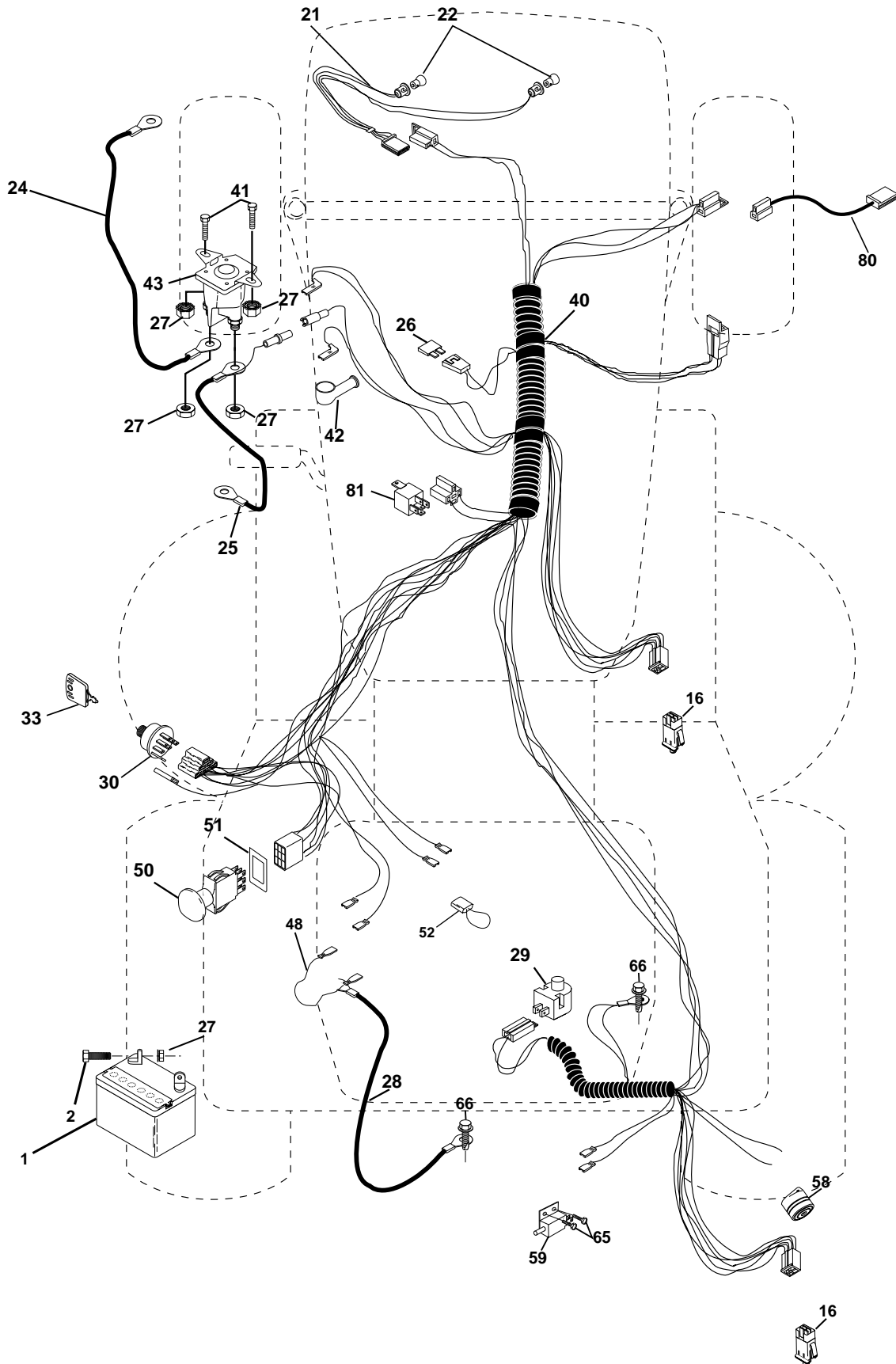
POSITION	CIRCUIT
OFF	C + G, B + H
ON	C + F, B + E, A + D

●
NON-REMOVABLE CONNECTIONS

○
REMOVABLE CONNECTIONS

REPAIR PARTS

TRACTOR- -MODEL NO. CTH150 (HECTH150A), PRODUCT NO. 954 17 00-38
ELECTRICAL



REPAIR PARTS

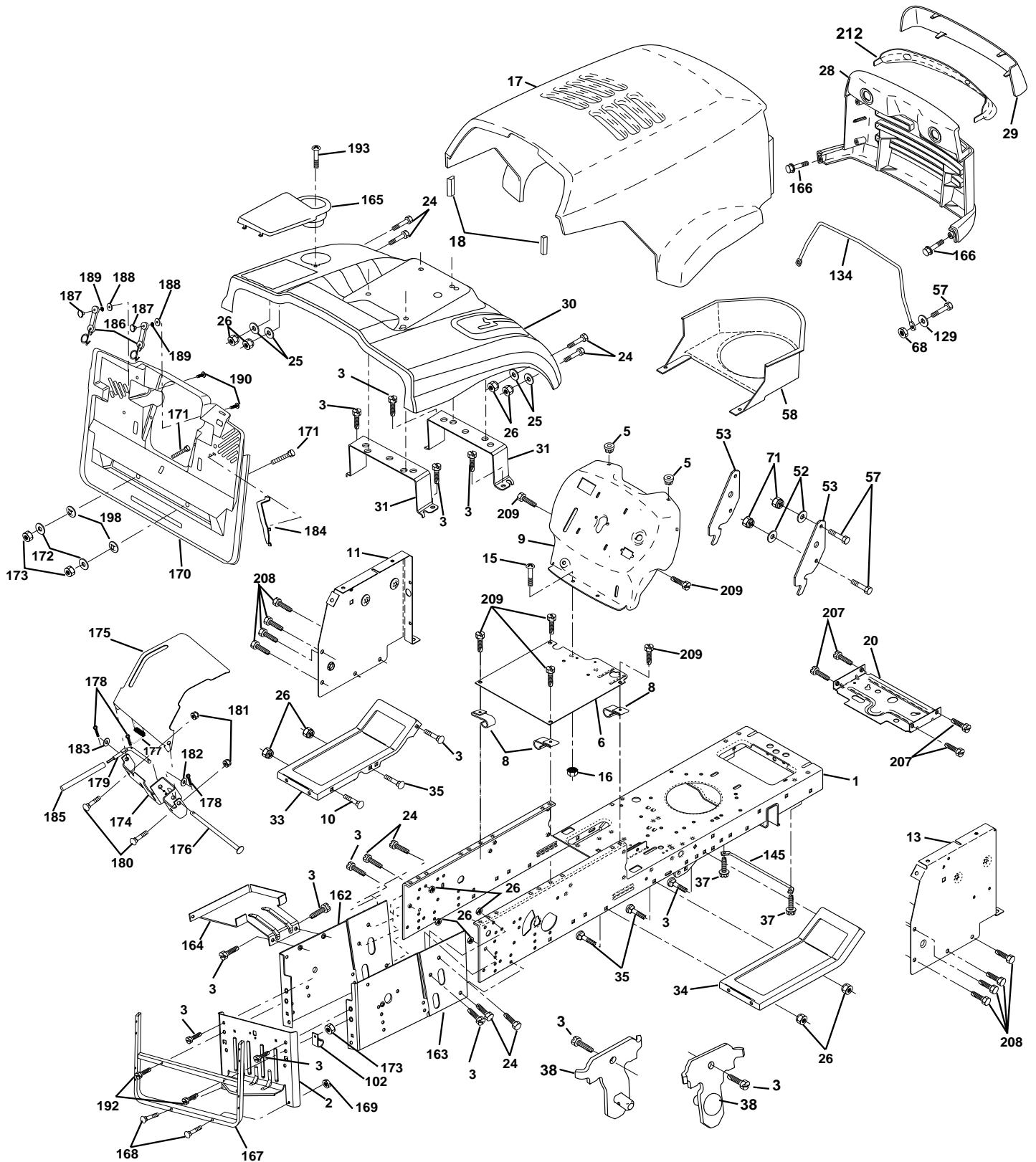
TRACTOR- -MODEL NO. CTH150 (HECTH150A), PRODUCT NO. 954 17 00-38
ELECTRICAL

KEY NO.	PART NO.	DESCRIPTION
1	532144925	Battery 12 Volt 25 AMP Wet
2	874760412	Bolt Hex Hd 1/4-20 Unc X 3/4
16	532153664	Switch Interlock Push-In
21	532166181	Harness Asm Light W/4152J
22	532004152	Bulb Light #1156
24	532124780	Cable Starter 6Ga 11" Red
25	532165987	Cable Battery Crd 56" Red
26	532175158	Fuse
27	873510400	Nut Keps Hex 1/4-20 Unc
28	532127725	Cable Ground 6Ga 18" Black
29	532160784	Switch Plunger Normal Op Olive
30	532175566	Switch Ignition
33	532140401	Key Ign
40	532170214	Harness Ign
41	871110408	Bolt Flk Fin Hex 1/4-20 Unc X 1/2
42	532131563	Cover Terminal Red
43	532175141	Solenoid
48	532140844	Adapter Ammeter Rectangular
50	532174651	Switch PTO
51	532140405	Ring Retainer PTO
52	532141940	Protection Wire Loop
58	532169419	Buzzer Crd
59	532166299	Switch FBI CRD
65	817211008	Screw Slftp #10-16 x 1/2 Ty-Ab
66	817490608	Screw Thdrol 3/8-16 x 1/2 Ty-Tt
80	532146685	Harness Clutch EVX
81	532109748	Relay Asm

NOTE: All component dimensions given in U.S. inches.
1 inch = 25.4 mm.

REPAIR PARTS

TRACTOR- -MODEL NO. CTH150 (HECTH150A), PRODUCT NO. 954 17 00-38
CHASSIS AND ENCLOSURES



REPAIR PARTS

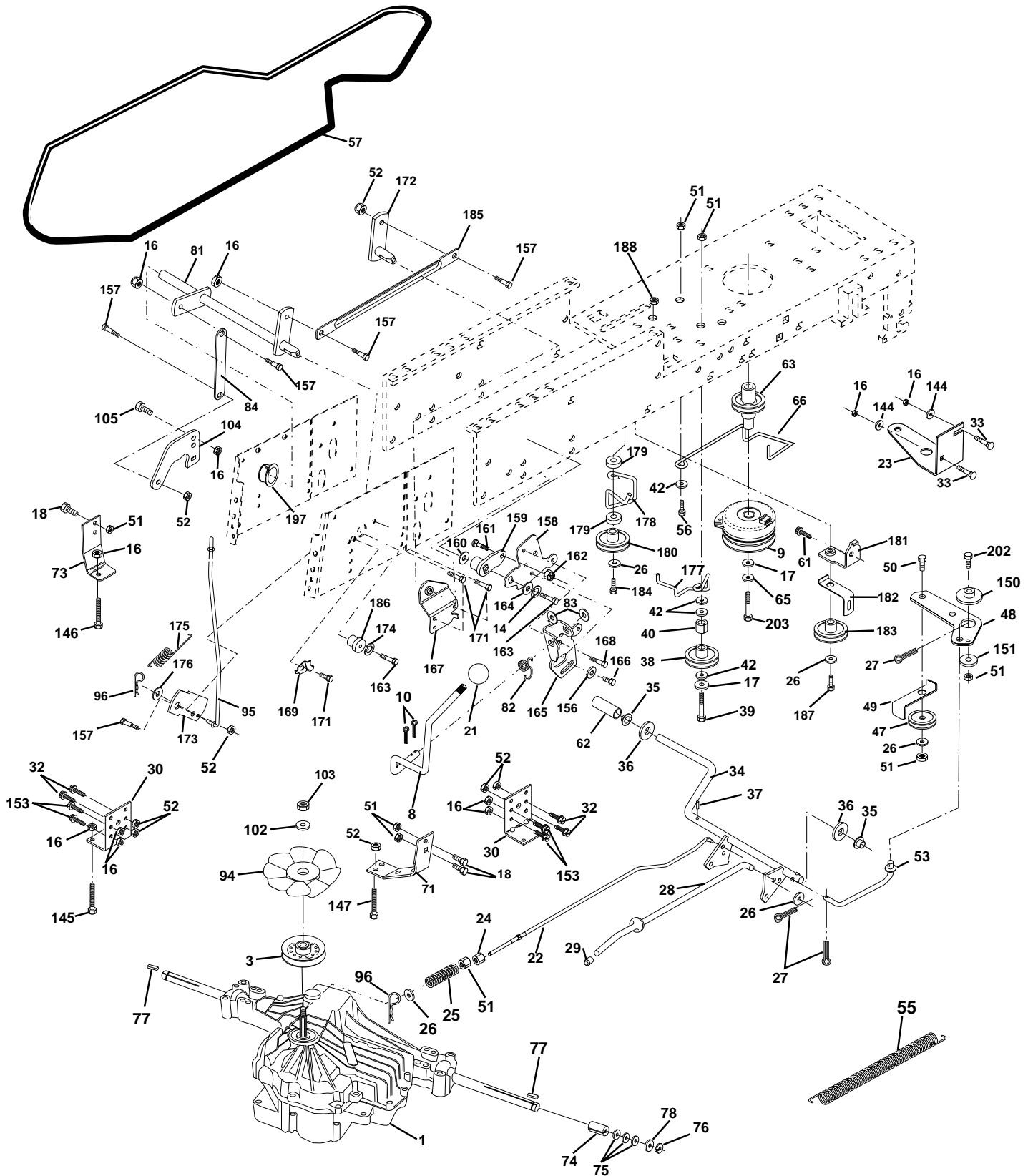
TRACTOR- -MODEL NO. CTH150 (HECTH150A), PRODUCT NO. 954 17 00-38 CHASSIS AND ENCLOSURES

KEY NO.	PART NO.	DESCRIPTION	KEY NO.	PART NO.	DESCRIPTION
1	532169831	Chassis Assembly	163	532175770	Bracket Exten Chassis Rh CRD
2	532165606	Drawbar	164	532165605	Support Battery CRD
3	817060612	Screw 3/8-16 x 3/4	165	532167979	Cover Battery CRD Lt
5	532155272	Bumper Hood/Dash	166	532164863	Screw Hwhd Hi-Lo #13-16 x 3/4
6	532155923	Saddle	167	532165779	Support Asm. Backplate WLDMNT
8	532126471	Clip Insulator 13/32 Mtg. Hole	168	872050412	Bolt, RDHD SHT NK 1/4-20 x 1-1/2
9	532171191	Dash	169	532123976	Nut, Lock 1/4 LGE FLG Gr. 5 Zinc
10	872140608	Bolt, Carriage 3/8-16 x 3/4	170	532175264	Backplate Asm CRD
11	532155927	Panel, Dash, L.H.	171	872140620	Bolt Hex 3/8-16 x 2-1/2 Gr 5
13	532172108	Panel, Asm. Dash R.H.	172	819132016	Washer 13/32 x 1-1/4 x 16 Ga.
15	874180512	Screw, Machine, Truss Head 5/16-18 UNC x 3/4	173	873510600	Nut, Keps Hex 3/8-16 UNC
16	873510500	Nut	174	532165939	Bracket Switch FBI CRD
17	532165378	Hood Assembly	175	532166212	Guard Door Rear CRD
18	532126938	Bumper Hood	176	532128600	Pin Hinge Pivot
20	532156437	Plate Mtg. Battery/Fuel Tank	177	532132796	Spring Bagger Top LH Black
24	874780616	Bolt	178	876020312	Pin Cotter 3/32 x 3/4 Cad Zinc
25	819131312	Washer 13/32 x 13/16 x 12 Gauge	179	532165942	Rod Pivot FBI CRD
26	873800600	Nut	180	874760516	Bolt Hex HD 5/16-18 UNC x 1
28	532165379	Grille PL	181	873680500	Nut Crownlock 5/16-18
29	532165380	Lens, Grille	182	532138200	Washer .385 x .625 x 11 Ga.
30	532175791	Fender	183	819131316	Washer 13/32 x 13/16 x 16 Ga.
31	532165156	Bracket, Fender Support	184	532174662	Bracket Actuator Bagger CRD
33	532147203	Footrest, L.H.	185	532165940	Tube Lever Switch FBI CRD
34	532147202	Footrest, R.H.	186	532160793	Latch Asm Multch Bagger
35	872110606	Bolt	187	532125004	Nut Weld .327/.304 #10-24
37	817490508	Screw Thdrol 5/16-18 x 1/2 TYT	188	819061216	Washer #10
38	532169834	Bracket Asm. Pivot Mower Rear	189	810071000	Washer Lock #10
52	819091416	Washer 9/32 x 7/8 x 16 Ga.	190	871081010	Screw Pan Hd Phillip 10-24 x 5/8
53	532150067	Bracket Pick off Lt/Pl Husq	192	817490624	Screw Thdrol 3/8-16 x 1-1/2
57	874780412	Bolt, Fin Hex 1/4-20 UNC x .75	193	817070412	Screw Truss 1/4-20 x 3/4 Tap/R
58	532150127	Duct Intake Engine	198	532168937	Nut Push
68	873510400	Nut Keps Hex 1/4-20 Unc	207	817670508	Screw Thdrol 5/16-18 x 1/2 Tytt
71	873680400	Nut Crownlock 1/4-20 Unc	208	817670608	Screw Thdrol 3/8-16 x 1/2
102	532124996	Clip Fuel Line 13/32 Mtg Hole	209	817000612	Screw Hex Wsh Thdrol 3/8-16 BL
129	819091016	Washer 9/32 x 5/8 x 16 Ga.	210	817490612	Screw Thdrol 3/8-16 x 3/4
134	532160219	Rod Support Hood Husq P/L	212	532156195	Insert lens Reflective
145	532156524	Rod Pivot Chassis/Hood	--	532005479	Plug Button
162	532170256	Bracket Exten Chassis Lh CRD			

NOTE: All component dimensions given in U.S. inches.
1 inch = 25.4 mm.

REPAIR PARTS

TRACTOR- -MODEL NO. CTH150 (HECTH150A), PRODUCT NO. 954 17 00-38
DRIVE



REPAIR PARTS

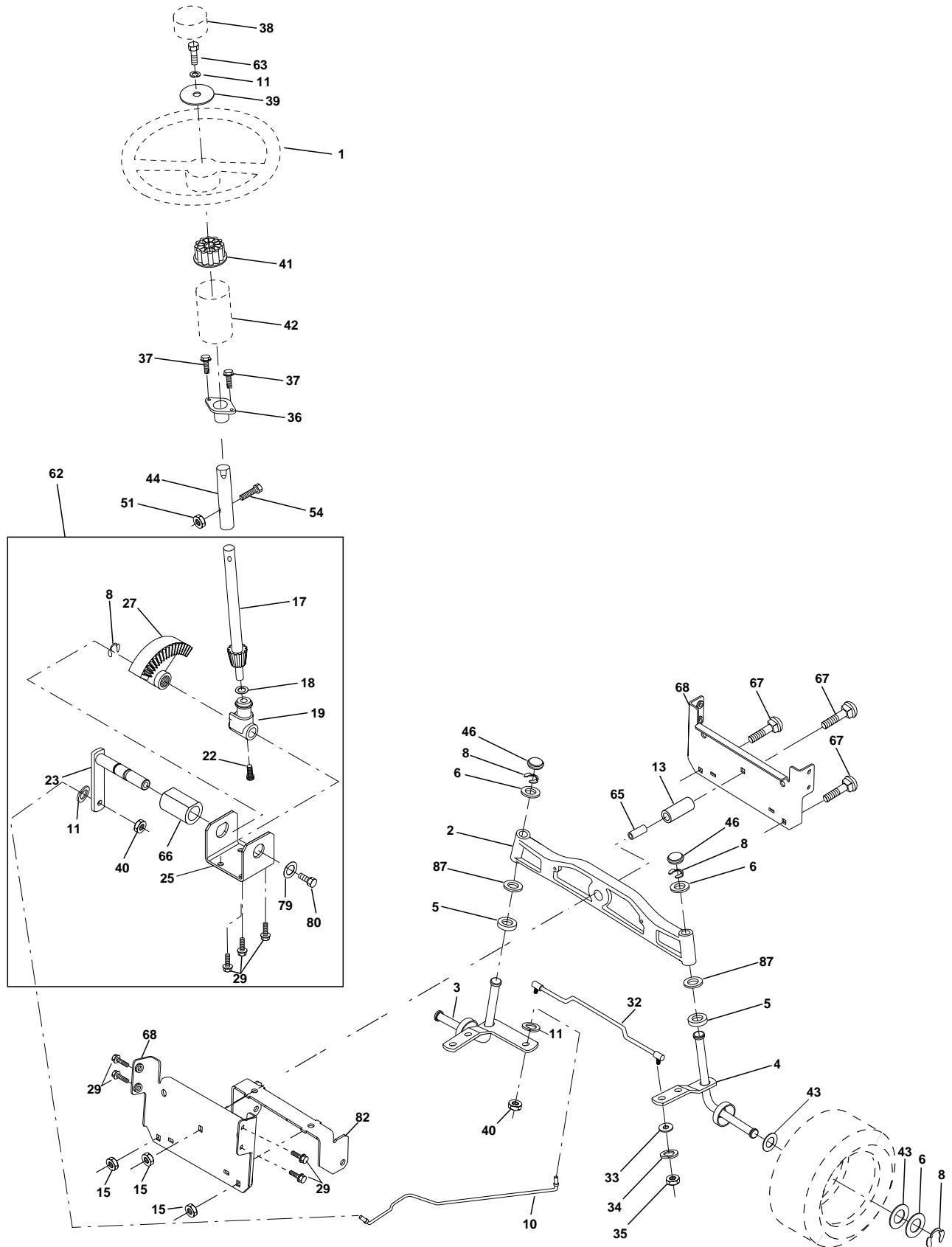
TRACTOR- -MODEL NO. CTH150 (HECTH150A), PRODUCT NO. 954 17 00-38
DRIVE

KEY NO.	PART NO.	DESCRIPTION	KEY NO.	PART NO.	DESCRIPTION
1	-----	Transaxle Hydro Gear 331-0650 (Order parts from transaxle manufacturer)	82	532123782	Spring, Torsion
3	532143995	Pulley Hydro 0650 Lt/CRD	83	819171216	Washer 17/32 x 3/4 x 16 Ga.
8	532165619	Rod, Shift Fender Adjust Lt	84	532165629	Link, Transaxle
9	532167162	Clutch Ele EVX	94	532140462	Fan 7"
10	876020416	Pin, Cotter 1/8 x 1	95	532165935	Control Asm Bypass Hydro
14	810040400	Washer, Lock Hvy Helical	96	532124788	Spring, Retainer 1"
16	873800500	Nut, Lock Hex w/Ins 5/16-18 UNC	102	532141322	Washer, Bellville .50ID x 1.50D
18	874780616	Bolt Hex 3/8-16 UNC x 1 Gr.5	103	873940800	Nut, Hex Jam Toplock 1/2-20 UNF
20	532150280	Bolt, Hex 7/16-20 x 4-1/4 5 Ga 1.38	104	532140156	Arm, Control Hydro
21	532121274	Knob Duckhead 1/4-13 Unc Blk	105	871070516	Screw Cap Hex 5/16 x 18 Unc-1
22	532165688	Rod, Brake CRD 0650	144	819111016	Washer 11/32 x 5/8 x 16 Ga.
23	532171258	Bracket asm Anti-Rot	145	874490540	Bolt Hex FGHD 5/16-18 x Gr 5
24	873350600	Nut	146	874490536	Bolt Hex Flghd 5/16-18 x 2-1/4
25	532106888	Spring, Rod, Brake	147	874490524	Bolt Hex FLGHD 5/16-18 x 1-1/2
26	819131316	Washer 13/32 x 13/16 x 16 Ga.	150	532165850	Bushing, Bellcrank Grnd Dr
27	876020412	Pin, Cotter 1/8 x 3/4	151	819133210	Washer 13/32 x 2 x 10 Ga.
28	532145204	Rod, Parking Brake	153	874760516	Bolt Hex Hd 5/16-18 Unc x 1
29	532071673	Cap, Parking Brake	156	532166002	Washer Srrted 5/16ID x 1.125
30	532169592	Bracket, Mfg. Transaxle	157	532153236	Bolt Shoulder 5/16-18 Unc 2A
32	874760512	Bolt Hex 5/16-18 UNC x 3/4	158	532165589	Bracket Shift Mount
33	872140506	Bolt Rdhd Sqnk 5/16-18 Unc x 3/4	159	532165494	Hub Tapered Flange Shift Lt
34	532165496	Shaft, Asm Pedal Foot CRD	160	819292016	Washer 29/32 x 1-1/4 x 16 Ga.
35	532120183	Bearing, Nylon	161	872140406	Bolt Rdhd Sqnk 1/4-20 x 3/4 Gr 5
36	819211616	Washer 21/32 x 1 x 16 Ga.	162	873680400	Nut Crownlock 1/4-20 Unc
37	532124963	Pin, Roll 3/16 x 1"	163	874780416	Bolt Hex Fin 1/4-20 Unc x 1 Gr 5
38	532165936	Pulley Flat Composite 3.06"	164	819091010	Washer 5/8 x .281 x 10 Ga.
39	874760644	Bolt Fin Hex 3/8-16 Unc x 2-3/4	165	532165623	Bracket Pivot Lever
40	532124965	Spacer, Split 395 x 59 Bzp	166	532166880	Screw 5/16-18 x 5/8
42	819131312	Washer 13/32 x 13/16 x 12 Ga.	167	532165588	Bracket Support Shift CRD
47	532127783	Pulley, Idler, V Groove Plasic	168	532165492	Bolt Shoulder 5/16-18 x .561
48	532154407	Bellcrank Clutch Grnd Drv	169	532165580	Plate Fastening Lt
49	532123205	Retainer, Belt Style Spring	171	817490608	Screw Thdrol 3/8-16 x 1/2 Ty-Tt
50	874760624	Bolt Hex Hd 3/8-16 UNC x 1-1/2	172	532165587	Shaft Asm Shifter Frt CRD 0650
51	873680600	Nut, Crownlock 3/8-16 UNC	173	532165934	Bracket Hydro Bypass CRD
52	873680500	Nut Crownlock 5/16-18	174	810090400	Washer Lock 1/4
53	532105710	Link, Clutch 7.66	175	532165931	Spring Bypass CRD
55	532105709	Spring, Return, Clutch	176	819070816	Washer 7/32 x 1/2 x 16 Ga.
56	874760620	Bolt, Hex 3/8-16 UNC x 1-1/4	177	532165932	Keeper Flat Idler 3.06" CRD
57	532165632	V-Belt Kev 112" 0650 CRD	178	532165933	Keeper Belt Idler 1.88" CRD
61	817060612	Screw 3/8-16 x 3/4	179	532120958	Washer Sintered
62	532123533	Cover, Pedal	180	532165630	Pulley, Idler, Flat 1.88"CRD
63	532145868	Pulley, Clutch elect EVX 1"	181	532165797	Bracket Idler Ground Drive CRD
65	810040700	Washer	182	532165634	Keeper Belt 2.5" Od V-Idler CRD
66	532154778	Keeper, Belt Engine F-Proof	183	532165626	Pulley V-Idler 2.50" Od CRD
71	532140158	Strap, Torque, Lh	184	817490644	Screw Hexwsh Thdrol 3/8-16 x 2-3/4
73	532156347	Strap, Torque, Rh	185	532165541	Link Shift CRD Hydro 0650
74	532121199	Spacer, Split	186	532165614	Hub Tapered Round CRD
75	532121749	Washer 25/32 x 1-1/4 x 16 Ga.	187	817490620	Screw Thdrol 3/8-16 x 1-1/4 TT
76	812000001	Ring, E	188	532110436	Bushing Snap Split Blk
77	532123583	Key, Square	197	532169613	Nyliner Snap-In 5/8
78	532121748	Washer 25/32 x 1-5/8 x 16 Ga.	202	872110612	Bolt Carr. Sh. 3/8-16 x 1-1/2 Gr. 5
81	532165585	Asm, Shaft			

NOTE: All component dimensions given in U.S. inches
1 inch = 25.4 mm

REPAIR PARTS

TRACTOR- -MODEL NO. CTH150 (HECTH150A), PRODUCT NO. 954 17 00-38
STEERING ASSEMBLY



REPAIR PARTS

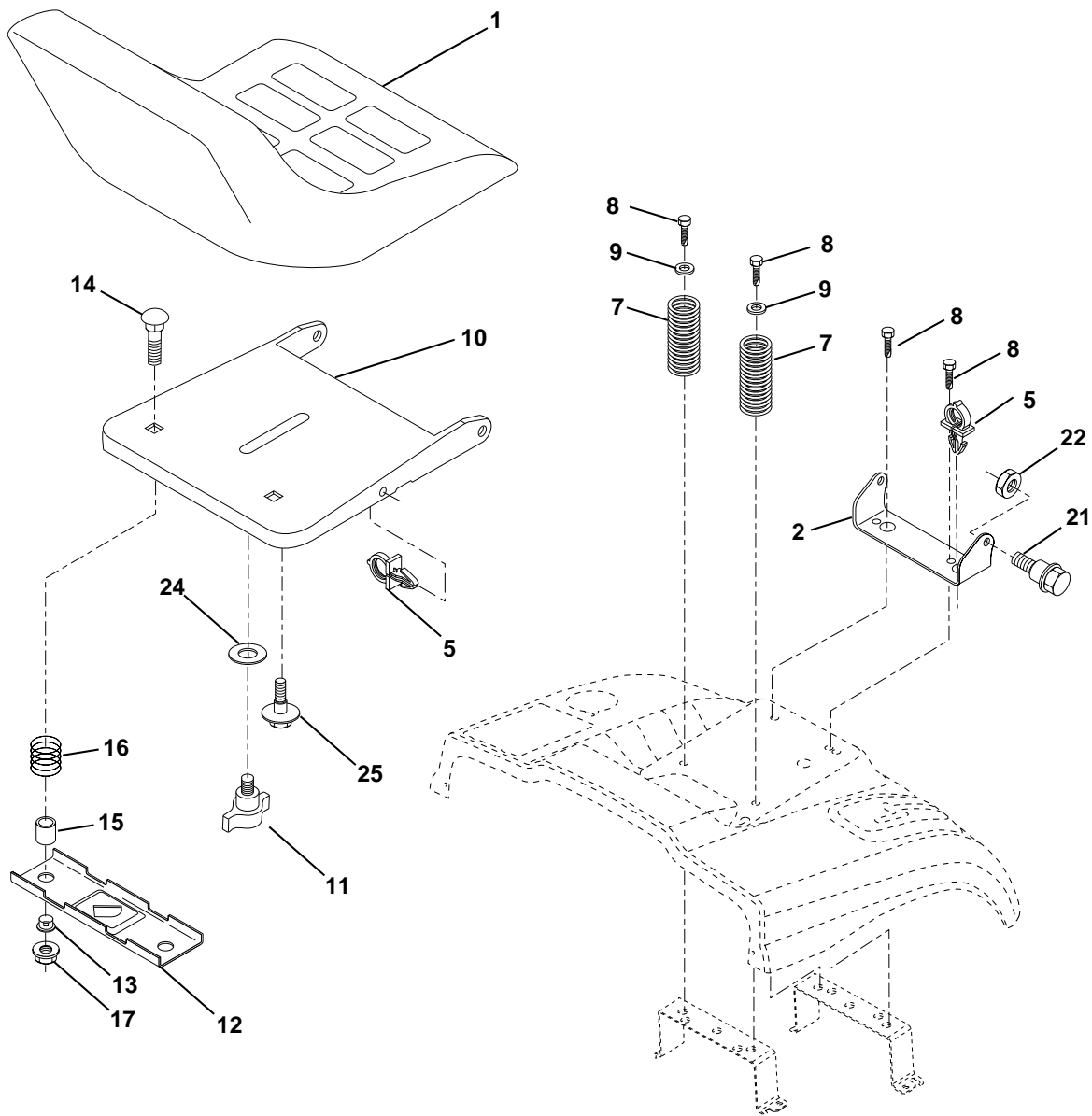
TRACTOR- -MODEL NO. CTH150 (HECTH150A), PRODUCT NO. 954 17 00-38
STEERING ASSEMBLY

KEY NO.	PART NO.	DESCRIPTION
1	532166627	Steering Wheel
2	532172393	Front Axle Assembly
3	532169840	Spindle Assembly, L.H.
4	532169839	Spindle Assembly, R.H.
5	532124931	Bearing, Race, Thrust, Hardened
6	532121748	Washer 25/32 x 1-5/8 x 16 Gauge
8	812000029	Ring, Klip
10	532169832	Link, Drag
11	810040600	Washer, Lock
13	532136518	Spacer Axle
15	532145212	Nut Hex Flange Lock
17	532156546	Shaft Assembly, Steering
18	532057079	Washer, Thrust .515 x .750 x .033
19	532160395	Support, Shaft
22	532165857	Screw Hex Wshhd Torx
23	532165851	Pittman Shaft Assembly
25	532154406	Bracket, Steering
27	532136874	Gear, Sector
29	817060612	Screw 3/8-16 x 3/4
32	532171888	Rod, Tie
33	819111216	Washer 11/32 x 3/4 x 16 Ga.
34	810040500	Washer Lock Hvy Hlcl Spr 5/16
35	873540500	Crownlock Nut 5/16-24 Unf
36	532155099	Bushing, Steering
37	532152927	Screw TT #10-32 x 5 x 3/8 Flange
38	532166626	Cap Wheel Steer
39	819132411	Washer 13/32 x 1-1/20 x 11 Gauge
40	532124701	Nut Lock Center 3/8-24 Unf
41	532159945	Adaptor, Steering Wheel
42	532169634	Boot, Steering Dash P/L Mtl
43	532121749	Washer 25/32 x 1-1/4 x 16 Gauge
44	532153720	Extension Steering Non-Adjust
46	532121232	Cap, Spindle
51	873800500	Nut Lock Hx W/Ins 5/16-18 UNC
54	874780520	Bolt Fin Hex 5/16-18 UNC x 1-1/4
62	532167914	Kit, Steering Assembly, Service
63	874780616	Bolt Fin Hex 3/8-16 unc. x 1 Gr. 5
65	532160367	Spacer Axle
66	532154404	Bearing Arm Pittman
67	872140618	Bolt Rdhd Sq 3/8-16 x 2-1/4
68	532169827	Brace Axle
79	819132012	Washer 13/32 x 1-1/4 x 12 Ga
80	874950612	Bolt Hex Nylon 3/8-16 x 3/4
82	532169835	Bracket Susp. Chassis Front
87	532173966	Washer Flat .781 x 1-1/2 x .14

NOTE: All component dimensions given in U.S. inches.
1 inch = 25.4 mm.

REPAIR PARTS

TRACTOR- -MODEL NO. CTH150 (HECTH150A), PRODUCT NO. 954 17 00-38
SEAT ASSEMBLY



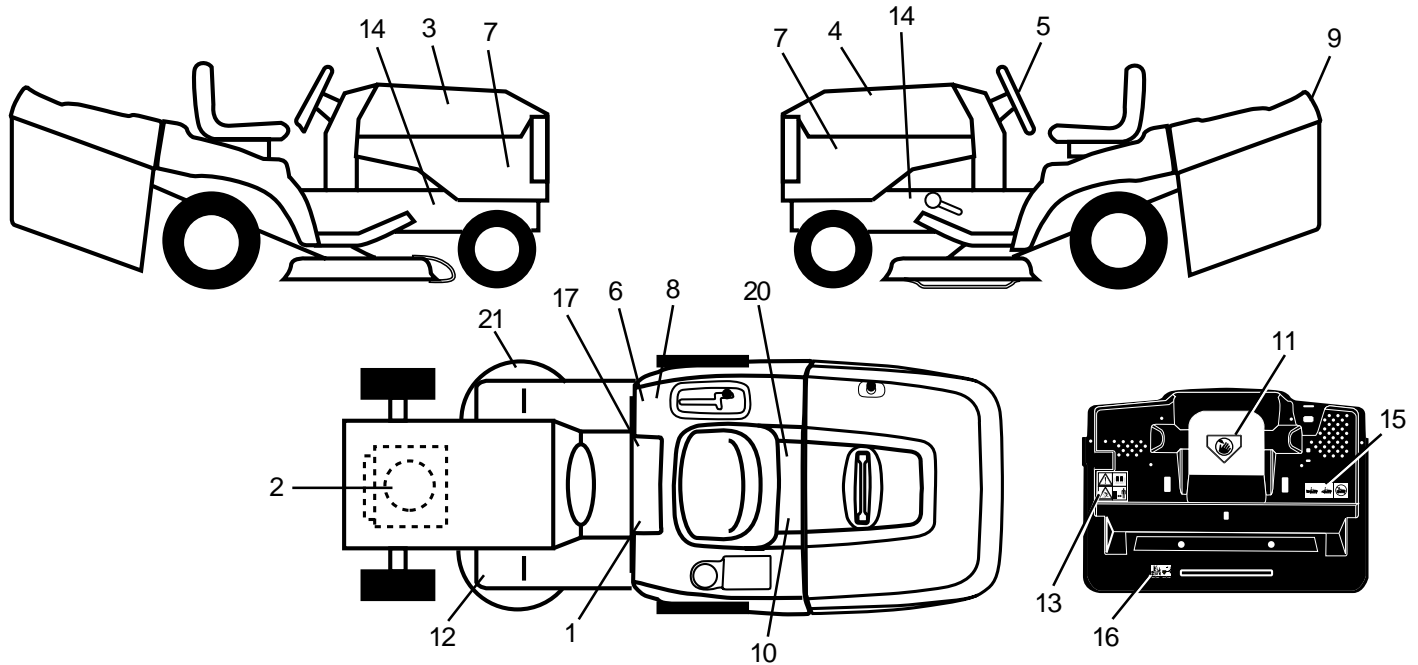
KEY NO.	PART NO.	DESCRIPTION
1	532140840	Seat
2	532140551	Bracket Pnt Pivot Seat (blk)
5	532145006	Clip Push In Hinged
7	532124181	Spring Seat Cprsn 2 250 Blk Zi
8	817000616	Screw 3/8-16 X 1.5
9	819131614	Washer 13/32 X 1 X 14 Ga
10	532174894	Pan Pnt Seat (blk)
11	532166369	Knob Seat Adj. Wingnut
12	532121246	Bracket Pnt Mounting Switch
13	532121248	Bushing Snap Blk Nyl 50 Id

KEY NO.	PART NO.	DESCRIPTION
14	872050412	Bolt Rdhd Sht Nk 1/4-20x1-1/2
15	532121249	Spacer Split
16	532123740	Spring Cprsn
17	532123976	Nut Lock 1/4 Lge Flg Gr 5 Zinc
21	532171852	Bolt Shoulder 5/16-18 Unc-2A
22	873800500	Nut Hex Lock w/Ins 5/16-18
24	819171912	Washer 17/32 X 1-3/16 X 12 Ga.
25	532127018	Bolt Shoulder 5/16-18 X 62

NOTE: All component dimensions given in U.S. inches.
1 inch = 25.4 mm

REPAIR PARTS

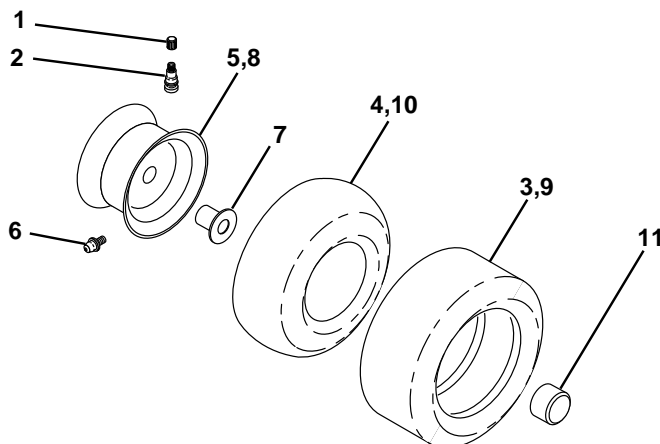
TRACTOR- -MODEL NO. CTH150 (HECTH150A), PRODUCT NO. 954 17 00-38
DECALS



KEY NO.	PART NO.	DESCRIPTION
1	532145498	Decal Read Owner's Manual Sym
2	532170855	Decal Hp Engine
3	532170596	Decal Hood Rh
4	532170597	Decal Hood Lh
5	532170564	Decal Wheel Steering
6	532126187	Decal 100 DBA
7	532159713	Decal Panel Side B&S Logo
8	532145437	Decal Europe Stand Ce
9	532150617	Decal Fender Logo
10	532145005	Decal Bat Dan/Poi P/L Sym Wpn
11	532145494	Decal Mower Cut Finger Symbol

KEY NO.	PART NO.	DESCRIPTION
12	532159737	Decal Brake/Clutch Symbol Lt
13	532166959	Decal Warn Back Plate CRD
14	532159736	Decal Chassis Hot Muffler
15	532166961	Decal Oper Bag Presence CRD
16	532162598	Decal Drawbar Load Limit
17	532140837	Decal Saddle Brake Parking
20	532166960	Decal Bypass Fender CRD
21	532166286	Decal Hex Belt Sch 92 CRD
—	532138311	Decal Lift Handle
—	532171237	Pad Footrest
—	532176219	Manual Operator's (Euro)
—	532176220	Manual Operator's (Scan)

WHEELS & TIRES

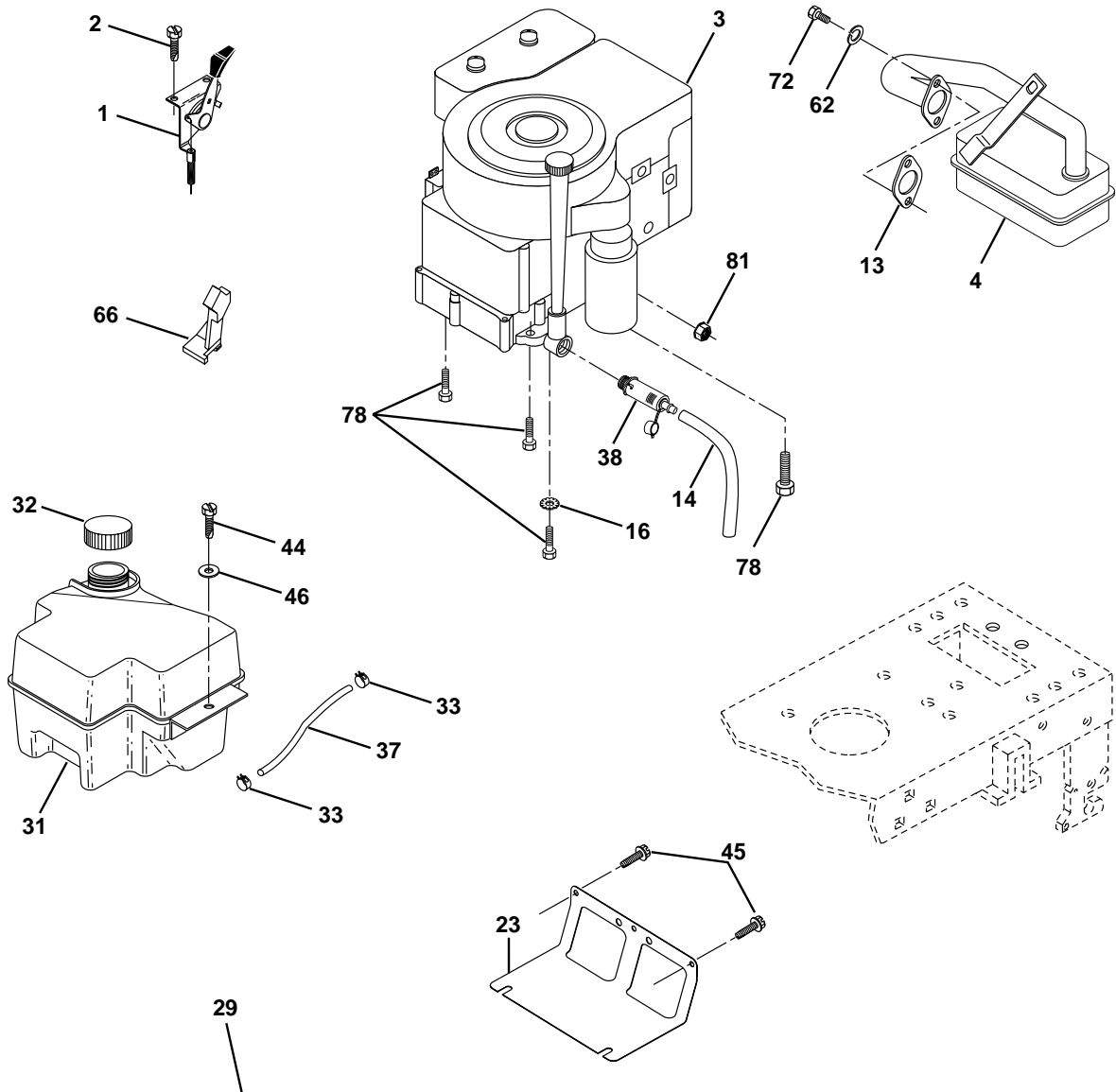


KEY NO.	PART NO.	DESCRIPTION
1	532059192	Cap Value Tire
2	532065139	Stem Value
3	532106222	Tire F Ts 15 X 6 0 - 6 Service
4	532059904	Tube Inner Front #35060
5	532138336	Rim Asm 6"front Silver Service
6	532124957	Fitting Grease
7	532124959	Bearing Flange
8	532138337	Rim Asm 8"rear Silver Service
9	532138468	Tire R Ts 20 x 8-8 Service
10	532124926	Tube Rear 9 5 X 8 Service
11	532175039	Cap Axle Blk 1 50 X 1 00
--	144334	Sealant, Tire (10 oz. tube)

NOTE: All component dimensions given in U.S. inches
1 inch = 25.4 mm

REPAIR PARTS

TRACTOR- -MODEL NO. CTH150 (HECTH150A), PRODUCT NO. 954 17 00-38
ENGINE



OPTIONAL EQUIPMENT
Spark Arrester

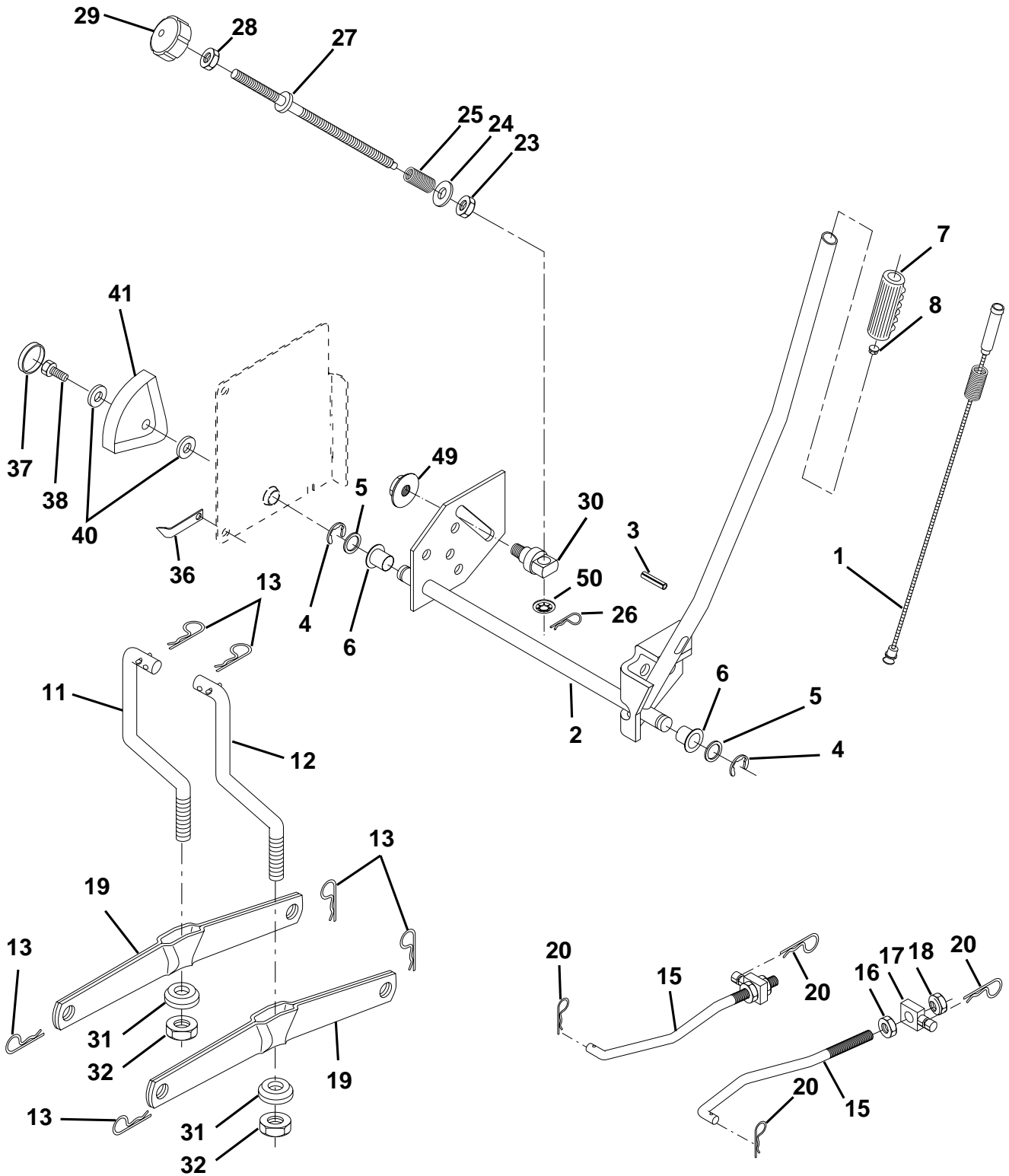
KEY NO.	PART NO.	DESCRIPTION
1	532170865	Control Throt/Ck
2	817720410	Screw Hex Thd Cut 1/4-20x5/8 T
3	-----	Engine B&S Model 311777 (Order parts from engine manufacturer)
4	532137352	Muffler
13	532165291	Gasket Muffler
14	532148456	Tube Drain Oil Easy
16	811050600	Washer Lock Ext Tooth 3/8
23	532169837	Shield Brn/Dbr Guard
29	532137180	Kit Spark Arrestor (Flat Scrn)
31	532161911	Tank Fuel 2.00
32	532140527	Cap Asm Fuel W/sym Vented

KEY NO.	PART NO.	DESCRIPTION
33	532123487	Clamp Hose Blk
37	532137040	Line Fuel
38	532148315	Plug Drain Oil Easy
44	817670412	Screw Hexwsh thdrol 1/4-20 x 3/4
45	817000612	Screw Hexwsh Thdr 3/8-16 x 3/4
46	819091416	Washer 9/32 x 7/8 x 16 Ga.
62	810040500	Washer, Lock Hvy. Hlcl Spr 5/16
66	532127951	Stop Throttle
72	871070512	Screw Hex Hd Cap 5/16-18 x 3/4
78	817060620	Screw 3/8-16 x 1/4
81	873510400	Nut Keps Hex 1/4-20 Unc

NOTE: All component dimensions given in U.S. inches
1 inch = 25.4 mm

REPAIR PARTS

TRACTOR- -MODEL NO. CTH150 (HECTH150A), PRODUCT NO. 954 17 00-38
MOWER LIFT



REPAIR PARTS

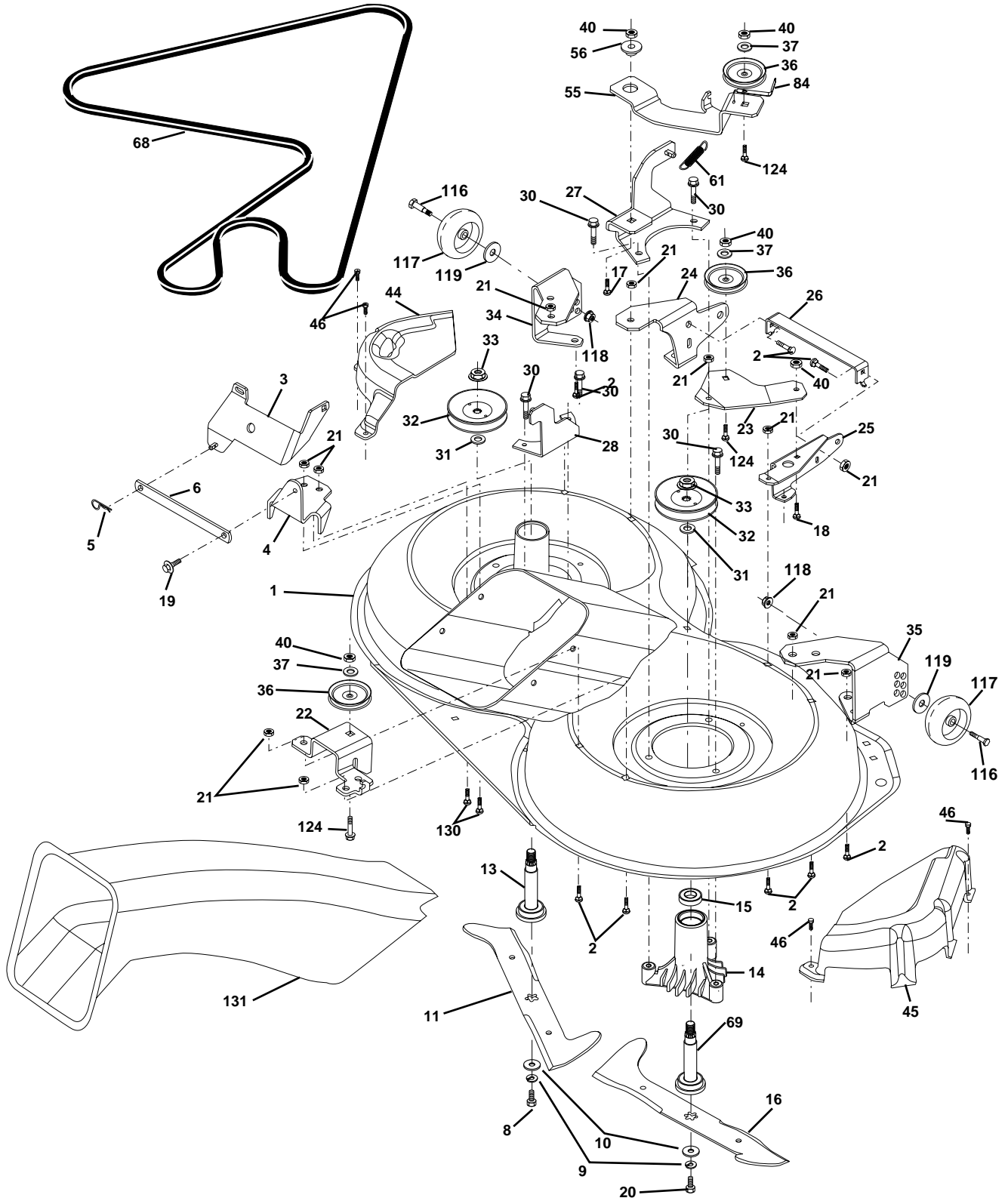
TRACTOR- -MODEL NO. CTH150 (HECTH150A), PRODUCT NO. 954 17 00-38
MOWER LIFT

KEY NO.	PART NO.	DESCRIPTION
1	532159460	Washer Asm Inner Spring W/Plunger
2	532159471	Shaft Asm. Lift
3	532105767	Pin Groove
4	812000002	E Ring #5133-62
5	819211621	Washer 21/32 x 1 x 21 Ga.
6	532120183	Bearing Nylong
7	532125631	Grip Handle Fluted
8	532124526	Button Plunger Black
11	532165829	Link Asm Lift L.H.
12	532165831	Link Asm Lift R.H.
13	532124670	Retainer Spring
15	532173288	Link Front
16	873350800	Nut Jam Hex 1/2-13 Unc
17	532130171	Trunnion Blk Zinc
18	873800800	Nut Lock w/wsh 1/2-13 Unc
19	532139868	Arm Suspension Mower
20	532163552	Retainer Spring
23	532110807	Nut Special
24	819131016	Washer 13/32 x 5/8 x 16 Ga.
25	532124874	Spring 2-1/8"
26	532169484	Retainer Clip
27	532126971	Rod Adj Lift Zinc 7.49 Wrk Lg
28	873350600	Nut Hex Jam 3/8-16 Unc
29	532138057	Knob Inf 3/8-16 Unc Blk w/sym
30	532150233	Trunnion Infin Height
31	532169865	Bearing, Pvt. Lift.
32	873540600	Nut Crownlock 3/8-24
36	532155097	Pointer Height Indicator
37	532123935	Plug Hole Blk 1.485/1.515 Dia
38	817060516	Screw 5/16-18 x 1
40	819112410	Washer 11/32 x 1-1/2 x 10 Ga.
41	532123934	Scale Ind Height Blk
49	532145212	Nut hex Flange Lock
50	532110452	Nut Push Phos & Oil

NOTE: All component dimensions given in U.S. inches
1 inch = 25.4 mm

REPAIR PARTS

TRACTOR- -MODEL NO. CTH150 (HECTH150A), PRODUCT NO. 954 17 00-38
MOWER



REPAIR PARTS

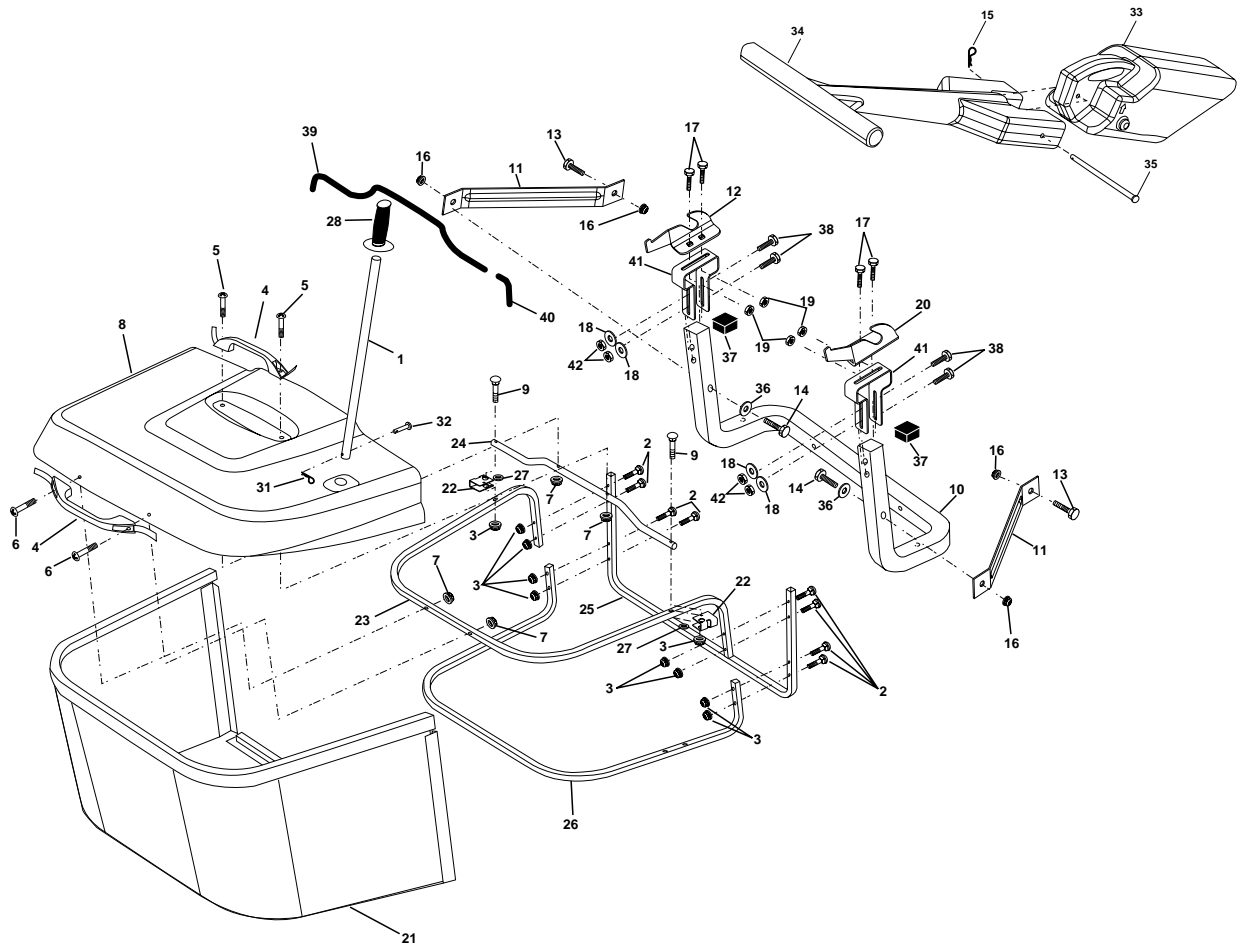
TRACTOR- -MODEL NO. CTH150 (HECTH150A), PRODUCT NO. 954 17 00-38
MOWER

KEY NO.	PART NO.	DESCRIPTION	KEY NO.	PART NO.	DESCRIPTION
1	532165552	Housing Asm. Mower	33	532137266	Nut Flg Top Lock Cntr B 9/16
2	872140506	Bolt Rdhd Sqnk 5/16-18 Unc x 3/4	34	532165239	Bracket Gauge Wheel Lf
3	532165569	Bracket Asm. S-Bar Chass	35	532165238	Bracket Gauge Wheel Rf
4	532165558	Bracket Bar Sway Deck	36	532146763	Pulley Idler V-Groove Dim 4.25
5	532124670	Retainer Spring	37	819131316	Washer 11/32 x 13/16 x 16 Ga
6	532165557	Bar Sway	40	873680600	Nut Crownlock 3/8-16 Unc
8	532850857	Bolt 3/8-24 x 1.25 Gr8 Patched	44	532165724	Cover Mandrel Lh
9	810030600	Washer Lock Hvy 3/8 Unplated	45	532165556	Cover Mandrel Rh
10	532140296	Washer Hard Blade Mower vented	46	532137729	Screw Thd Roll 1/4-20 x 5/8
11	532170037	Blade 3-1 Lh	55	532165445	Arm Idler
13	532137645	Shaft Asm. W/Lower Bearing	56	532165723	Spacer Retainer Mower
14	532128774	Housing Mandrel Vented (Machd)	61	532165945	Spring Tension Belt
15	532110485	Bearing Ball Mandrel	68	532165555	Hex-Belt
16	532170038	Blade 3-1 Rh	69	532165482	Shaft Asm W/Lwr Brg Rh Thd CRD
17	872140610	Bolt Carriage 3/8-16 x 1-1/4	84	532156085	Keeper Belt Idler
18	872110608	Bolt Rdhd Sqnk 3/8-16 x 1 Gr5	116	532137644	Bolt Shoulder
19	532132827	Bolt Shoulder 5/16-18 Thd Form	117	532133957	Wheel Gage Donut Wide
20	532165484	Bolt 3/8-24 x 1.25 Gr8 Ptch Lhthd	118	873930600	Nut Centerlock 3/8-16 Unc
21	873680500	Nut Crown Lock 5/16-18	119	819121414	Washer 3/8 x 7/8 x 14 Ga.
22	532165243	Bracket Idler Sprt RR	124	872110612	Bolt Carr Sh 3/8-16 x 1-1/2 Gr5
23	532165446	Bracket Idler Sprt RF	130	872110506	Bolt Rdhdsqnk 5/16-18 Unc x 3/4
24	532165242	Bracket Suspension LF	131	532165661	Chute Bagger CRD 92cm
25	532165244	Bracket Suspension RF	-	532130794	Mandrel Asm Service
26	532165237	Brace Support Susp Frt	-	532165579	Mandrel Asm CRD Lh Threads SVC
27	532165568	Bracket Asm. Susp RR	-	532173549	Deck Mower Complete
28	532165567	Bracket Asm. Susp LR			
30	532157722	Screw Thd Rolling Washer Head			
31	532129963	Washer Spacer Mower Vented			
32	532153531	Mandrel Pulleys			

NOTE: All component dimensions given in U.S. inches
1 inch = 25.4 mm

REPAIR PARTS

TRACTOR- -MODEL NO. CTH150 (HECTH150A), PRODUCT NO. 954 17 00-38
BAGGER



KEY NO.	PART NO.	DESCRIPTION	KEY NO.	PART NO.	DESCRIPTION
1	532170690	Tube Handle Bagger CRD	23	532165782	Tube Upper Bagger CRD
2	872140416	Bolt Carriage 1/4-20 x 2.0 Gr.5	24	532165783	Tube Pivot Bagger CRD
3	532123976	Nut Lock 1/4 Lge Flg Gr. 5 Zinc	25	532165784	Tube Front Bagger CRD
4	532169916	Handle Bagger w/Lvrs Blk CRD	26	532165785	Tube Lower Bagger CRD
5	874981024	Screw Pan Head #10-24 x 1.50 Blk	27	532169692	Bushing Snap Bagger CRD
6	874981032	Screw Pan Hd	28	532170696	Grip Handle Black
7	873401000	Nut Wiz Lock Hex Serr/Hd 10-24	29	532165839	Plate Stop Bagger handle CRD
8	532167980	Cover Bagger Plastic CRD MS422	30	872140410	Bolt Carriage 1/4-20 x 1-1/4 Gr.5
9	872140418	Bolt Carriage 1/4-20 x 2.25d x Gr.5	31	532124788	Retainer Spring 1" Zinc/Cad
10	532169688	Tube Support Bagger CRD	32	532126875	Rivet Rd Hd Drilled 3/8 Dia
11	532165719	Bracket Support Upper Bag CRD	33	532165571	Plug Mulcher
12	532169685	Bracket Horiz Adj Bagger Lh	34	532165570	Handle Mulcher
13	872110606	Bolt Rdhd Sht Sqnk 3/8-16 x 3/4	35	532165572	Pin Mulcher
14	874520640	Bolt Hex 3/8-16 x 2-1/2 Gr.5	36	819132016	Washer 13/32 x 1-1/4 x 16 Ga.
15	532124670	Retainer Spring	37	532175401	Plug Support Bagger CRD
16	873900600	Nut Lock Flg 3/8-16 Unc	38	872010520	Bolt 5/16-18 x 2-1/2
17	872140506	Bolt Rdhd Sht Sqnk 5/16 -18 Unc x 3/4	39	532169999	Seal 26"
18	819111216	Washer 11/32 x 3/4 x 16 Ga.	40	532170000	Seal 27"
19	873900500	Nut Lock Hex Flange 5/16-18	41	532169683	Bracket Pnt Adj Pvt Bagger CRD
20	532169684	Bracket Horiz Adj Bagger Rh	42	873800500	Nut Crownlock 5/16-18 Blk D
21	532165780	Bag Asm CRD			
22	532165781	Bracket Side Bagger CRD			

NOTE: All component dimensions given in U.S. inches
1 inch = 25.4 mm