

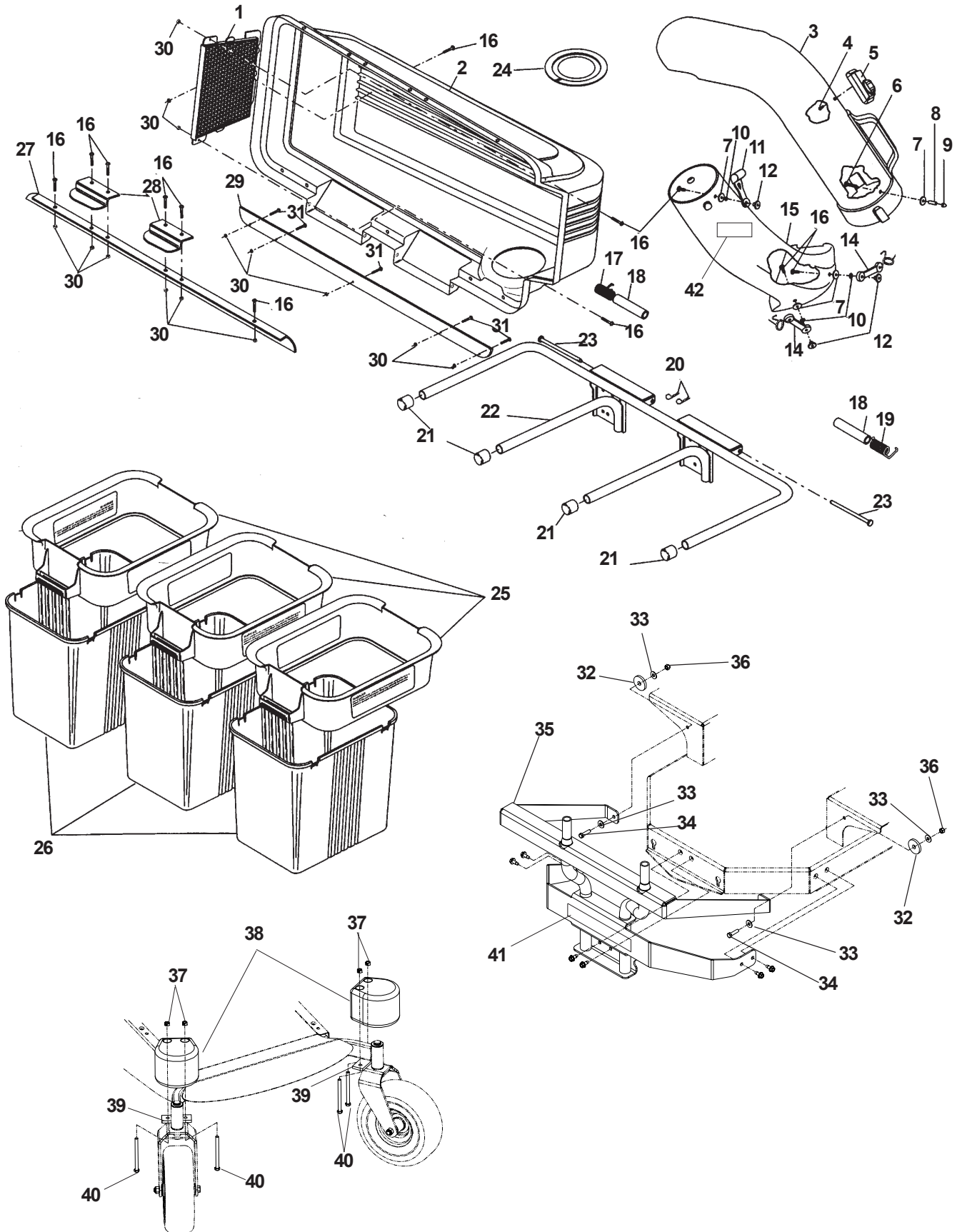
Model:
968999211 / CZ48

**Parts Manual
For
48 Inch Consumer Z
Grass Catcher**

(03/13/06)



PARTS



PARTS

ITEM	PART NO.	QTY.	DESCRIPTION
1	532127533	1	Screen, cover
2	532134678	1	Cover
3	532176741	1	Chute, upper
4	818021008	1	Screw, #10-14 x 1/2, special
5	532140572	1	Dump bag indicator
6	532087175	1	Screw, #10-24 x 1 1/8
7	819061216	4	Washer, 3/16 x 3/4 x 16 Ga.
8	532007206	1	Spacer, split
9	532060867	1	Nut, #10-24, acorn
10	810071000	3	Lockwasher
11	532109808	1	Latch, chute
12	532125004	3	Nut, weld
14	532160793	2	Latch, assembly
15	532174345	1	Chute, lower
16	871161010	12	Screw, #10-24 x 5/8
17	532132796	1	Spring, cover L.H. (black)
18	532140809	2	Spacer, cover
19	532132983	1	Spring, cover R.H. (gray)
20	532085902	2	Spring, retainer
21	532174083	4	Plug, tubing end
22	532176990	1	Bagger, frame
23	532128600	2	Pin, hinge
24	532127534	1	Gasket, cover
25	532183286	3	Container, top
26	532129586	3	Container, bottom
27	532134637	1	Seal, cover
28	532130895	2	Handle, bagger cover
29	532155857	1	Strip, reinforcement
30	532069180	14	Nut, #10-24, crownlock (not included with unit)
31	871141008	5	Screw, #10-24 x 1/2 (not included with unit)
32	539106504	2	Washer, special
33	539990692	4	Washer, 5/16
34	539990627	2	Bolt, 5/16-18 x 1 1/4
35	539108014	1	Hitch
36	539990717	2	Nut, 5/16-18, nyloc
37	539990546	4	Nut, 3/8-16, centerloc
38	539108154	2	Wheel weight
39	539108156	2	Strap
40	539990591	4	Bolt, 3/8-16 x 4 1/2
41	539200732	1	Decal, Husqvarna
42	539108163	1	Decal, warning catcher
	532104419		Bag, 3.0 mil, 30 gal. trash, (not included with unit)