

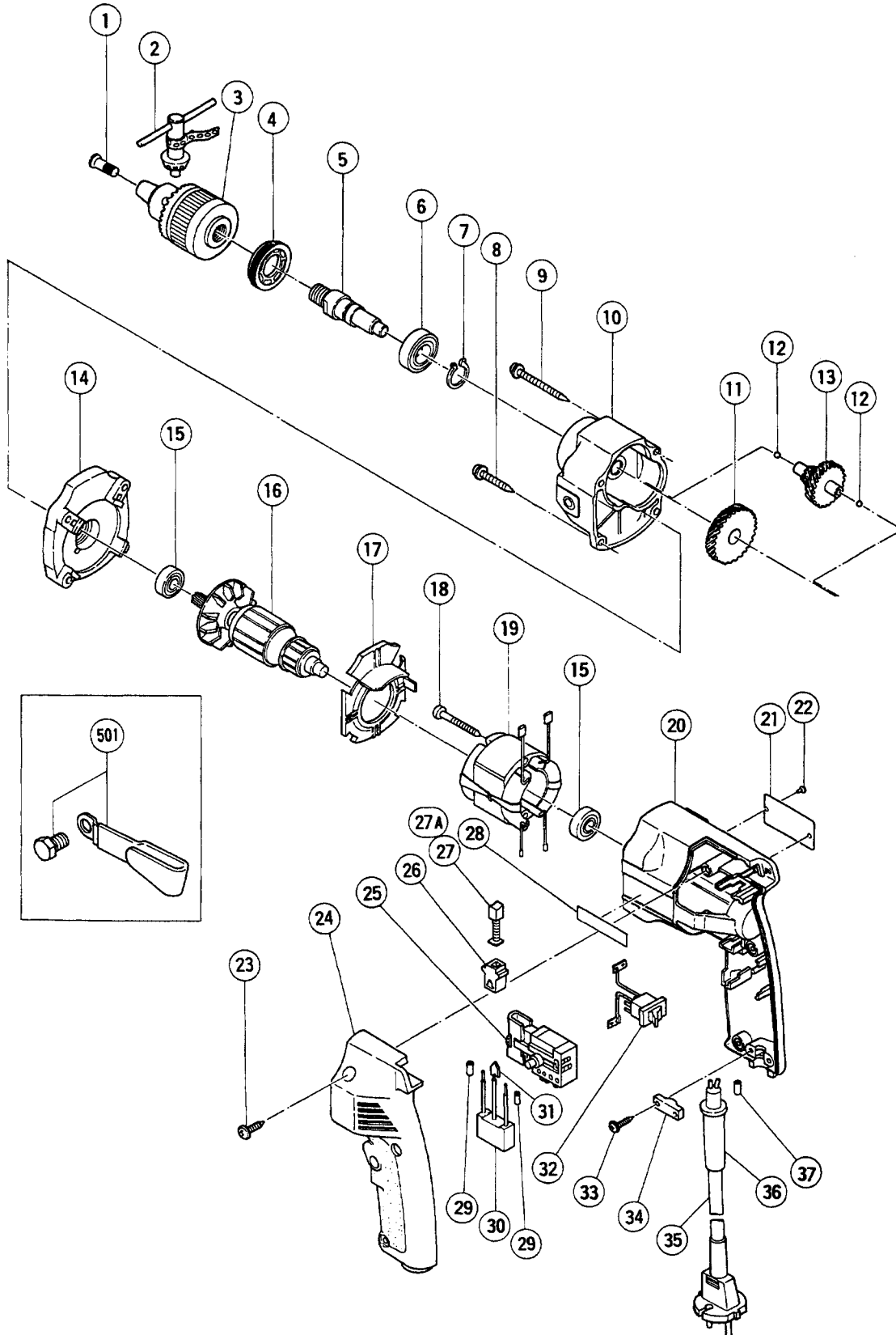
## ELECTRIC TOOL PARTS LIST

■ DRILL

Model D 10V1

1993 • 3 • 3

(E3)



**PARTS**

**D 10V1**

ITEM NO.	CODE NO.	DESCRIPTION	NO. USED	REMARKS
1	981-122	SPECIAL SCREW M6X22	1	
2	930-119	CHUCK WRENCH 6.5G	1	
3	950-256	DRILL CHUCK 10VLR	1	INCLUD.2
4	930-214	BEARING CAP	1	
5	982-582	SPINDLE	1	
6	600-2DD	BALL BEARING 6002DDUCMPS2S	1	
7	939-544	RETAINING RING FOR D15 SHAFT (10 PCS.)	1	
8	985-984	TAPPING SCREW (W/WASHER) D4X35	2	
9	963-388	TAPPING SCREW (W/WASHER) D4X60	2	
10	982-581	GEAR COVER	1	
11	982-583	FINAL GEAR	1	
12	959-155	STEEL BALL D3.97 (10 PCS.)	2	
13	982-584	SECOND PINION	1	
14	982-580	INNER COVER	1	
15	608-VVM	BALL BEARING 608VVMC2EPS2L	2	
* 16	360-112U	ARMATURE ASS'Y 110V - 127V	1	INCLUD.15
* 16	360-112E	ARMATURE 220V - 230V	1	
* 16	360-112F	ARMATURE 240V	1	
17	950-504	FAN GUIDE	1	
18	950-514	TAPPING SCREW D4X40	2	
* 19	991-886C	STATOR 110V - 127V	1	
* 19	991-886E	STATOR 220V - 230V	1	
* 19	991-886F	STATOR 240V	1	
* 19	991-886G	STATOR 220V - 230V	1	FOR SAF,HOLDEN,FIN,SWE,AUT,NOR,ITA
20	998-510	HOUSING	1	
21		NAME PLATE	1	
* 22	932-642	RIVET D2.5X2.8	2	FOR CAN
23	982-095	TAPPING SCREW (W/WASHER) D4X20	3	
24	998-512	HANDLE COVER	1	
* 25	994-392	SPEED CONTROL SWITCH (2P PILLAR TYPE)	1	110V - 127V
* 25	994-393	SPEED CONTROL SWITCH (2P PILLAR TYPE)	1	220V - 240V
26	930-483	BRUSH HOLDER	2	
* 27	999-041	CARBON BRUSH (1 PAIR)	2	
* 27A	999-080	CARBON BRUSH (AUTO STOP TYPE) (1 PAIR)	2	FOR USA
28	950-565	HITACHI LABEL	1	
* 29	981-373	TUBE (D)	2	FOR NOISE SUPPRESSOR
* 30	994-273	NOISE SUPPRESSOR	1	FOR NZL,SAF,FRG,HOL,FIN,SWE,AUT,NOR, DEN
* 30	971-828	NOISE SUPPRESSOR	1	FOR ITA
* 31	992-635	EARTH TERMINAL	1	FOR NOISE SUPPRESSOR
* 32	992-636	REVERSING SWITCH	1	
* 32	995-350	REVERSING SWITCH	1	FOR NZL,SAF,FIN,SWE,AUT,NOR
33	984-750	TAPPING SCREW (W/FLANGE) D4X16	2	
34	937-631	CORD CLIP	1	
* 35	500-223Z	CORD	1	(CORD ARMOR D10.2) FOR SIN,KUW
* 35	500-226Z	CORD	1	(CORD ARMOR D8.2) FOR AUS,NZL,NGU
* 35	500-240Z	CORD	1	(CORD ARMOR D8.2) FOR USA,CAN
* 35	500-245Z	CORD	1	(CORD ARMOR D10.2) FOR SYR
* 35	500-409Z	CORD	1	(CORD ARMOR D8.2) FOR FRG,ITA,HOL, DEN,FIN,AUT,SWE,NOR
* 35	950-543Z	CORD	1	(CORD ARMOR D10.2)

\*: ALTERNATIVE PARTS

**PARTS**

D 10V1

ITEM NO.	CODE NO.	DESCRIPTION	NO. USED	REMARKS
* 35	971-517Z	CORD	1	(CORD ARMOR D8.2) FOR SAF
* 36	930-487	CORD ARMOR D8.2	1	
* 36	930-028	CORD ARMOR D10.2	1	
* 36	980-193	CORD ARMOR D10.2	1	FOR INA,SIN,KUW,AUS,SYR
* 37	981-373	TUBE (D)	2	FOR CORD

**STANDARD ACCESSORIES**

ITEM NO.	CODE NO.	DESCRIPTION	NO. USED	REMARKS
* 501	982-593	HOOK	1	FOR USA,CAN

**OPTIONAL ACCESSORIES**

ITEM NO.	CODE NO.	DESCRIPTION	NO. USED	REMARKS
601	981-828	SIDE HANDLE	1	
602	982-569	CASE (STEEL)	1	

\* : ALTERNATIVE PARTS