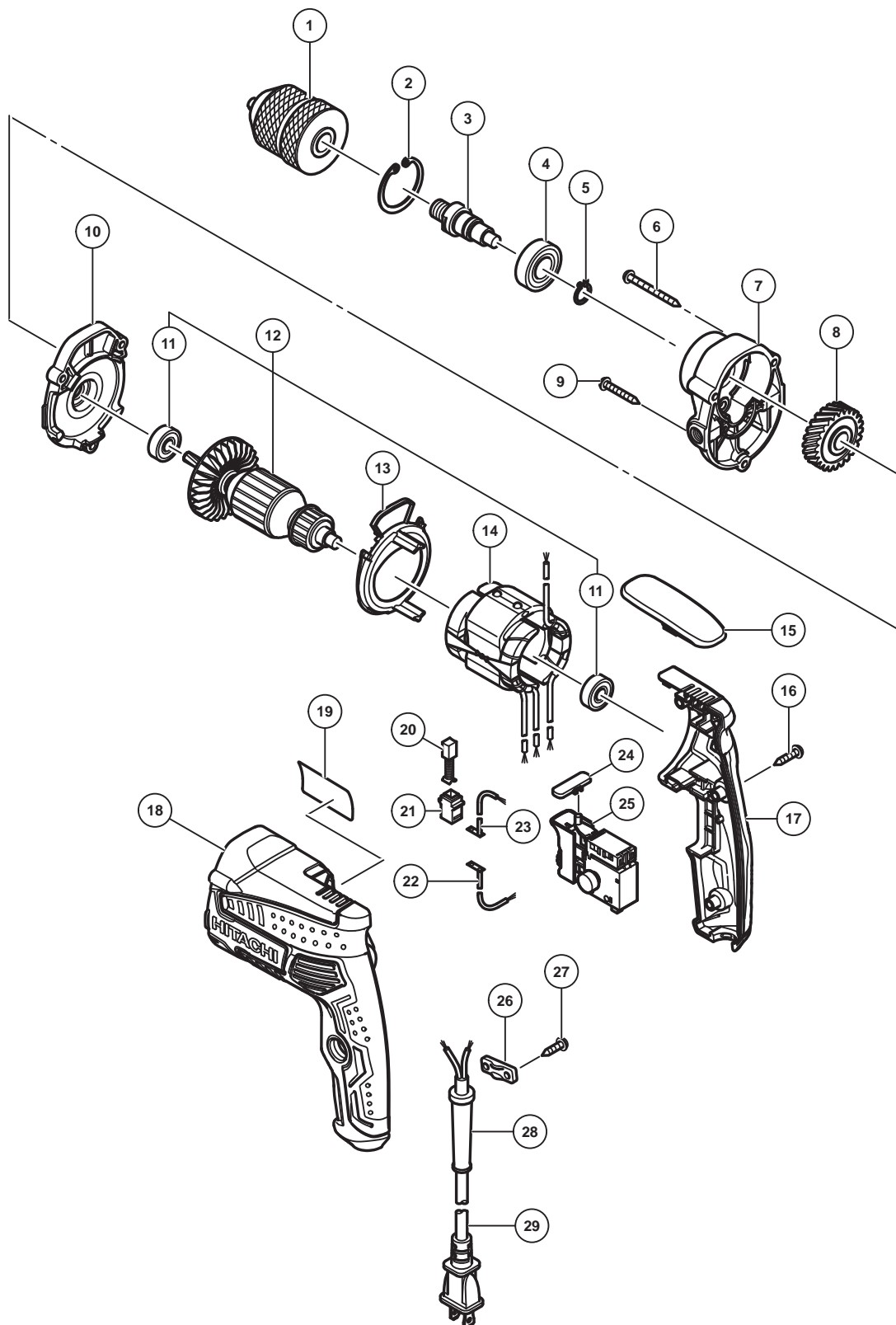


ELECTRIC TOOL PARTS LIST

■ DRILL
Model D 10VH2

2016-10-21
(E1)



PARTS

D 10VH2

ITEM NO.	CODE NO.	DESCRIPTION	NO. USED	REMARKS
1	370715	DRILL CHUCK 10VLRH-N (W/O CHUCK WRENCH)	1	
2	948001	RETAINING RING FOR D32 HOLE	1	
3	370712	SPINDLE (B)	1	
4	6002VV	BALL BEARING 6002VVCMP2L	1	
5	939544	RETAINING RING FOR D15 SHAFT (10 PCS.)	1	
6	301815	TAPPING SCREW (W/FLANGE) D4 X 45 (BLACK)	2	
7	370710	GEAR COVER (A)	1	
8	370713	GEAR (A)	1	
9	305490	TAPPING SCREW (W/FLANGE) D4 X 30 (BLACK)	1	
10	370709	INNER COVER	1	
11	333945	BALL BEARING 608VV	2	
12	361050U	ARMATURE ASS'Y 120V	1	INCLUD.11
13	370708	FAN GUIDE	1	
14	340959D	STATOR 120V	1	
15	370716	HOOK (A)	1	
16	301653	TAPPING SCREW (W/FLANGE) D4 X 20 (BLACK)	3	
17	370707	HANDLE COVER	1	
18	370706	HOUSING	1	
19		NAME PLATE	1	
20	999041	CARBON BRUSH (1 PAIR)	2	
21	955203	BRUSH HOLDER	2	
22	370705	INTERNAL WIRE (BROWN)	1	
23	370704	INTERNAL WIRE (BLUE)	1	
24	321628	PUSHING BUTTON	1	
25	370701	SWITCH	1	
26	937631	CORD CLIP	1	
27	984750	TAPPING SCREW (W/FLANGE) D4 X 16	2	
28	953327	CORD ARMOR D8.8	1	
29	500240Z	CORD	1	

OPTIONAL ACCESSORIES

ITEM NO.	CODE NO.	DESCRIPTION	NO. USED	REMARKS
601	982593	HOOK	1	
602	981205	SIDE HANDLE FOR M10	1	