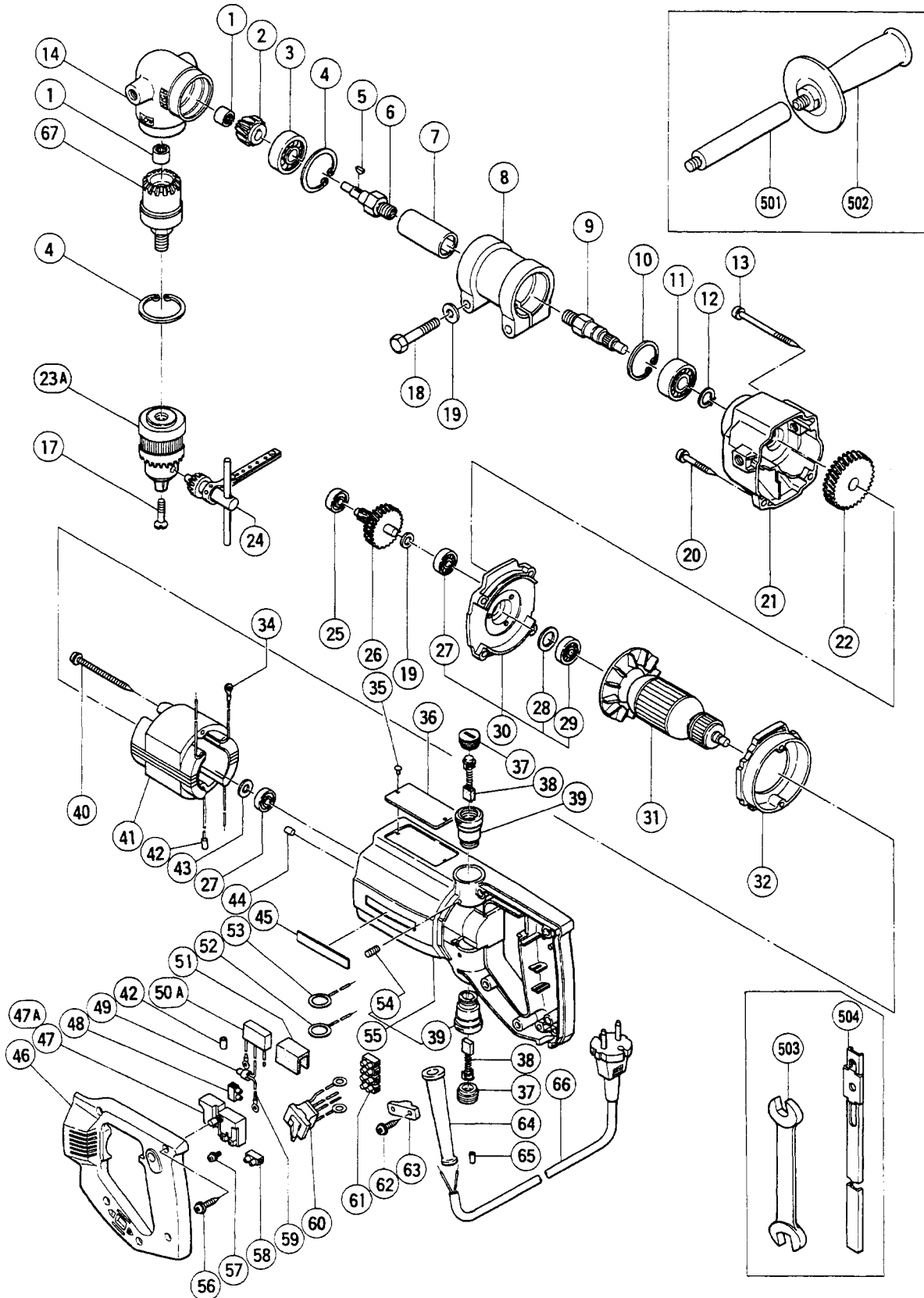


## ELECTRIC TOOL PARTS LIST

■ ANGLE DRILL  
Model D 13Y

1996 • 2 • 20  
(E4)



## PARTS

D 13Y

ITEM NO.	CODE NO.	DESCRIPTION	NO. USED	REMARKS
1	670-714	NEEDLE BEARING (HK0810)	2	
2	986-149	PINION	1	
3	630-1VV	BALL BEARING 6301VVCMP2S	1	
4	986-147	RETAINING RING FOR D37 HOLE	2	
5	932-819	WOODRUFF KEY 3X10	1	
6	986-146	SPINDLE	1	
7	986-143	COUPLING	1	
8	986-142	JOINT SLEEVE	1	
9	981-667	SPINDLE	1	
10	939-556	RETAINING RING FOR D35 HOLE (10 PCS.)	1	
11	620-2VV	BALL BEARING 6202VVCMP2S	1	
12	939-544	RETAINING RING FOR D15 SHAFT (10 PCS.)	1	
13	986-141	TAPPING SCREW (W/SP. WASHER) D5X70	2	
14	986-144	ANGLE HEAD ASS'Y	1	INCLUD.1
17	981-122	SPECIAL SCREW M6X22	1	
18	949-632	BOLT M8X45 (10 PCS.)	2	
19	949-426	WASHER M8 (10 PCS.)	3	
20	986-140	TAPPING SCREW (W/SP. WASHER) D5X35	2	
21	981-650	GEAR COVER	1	
22	983-448	FINAL GEAR	1	
23A	950-275	DRILL CHUCK 13VLR	1	INCLUD.17,24
24	930-515	CHUCK WRENCH 10G	1	
25	627-VVM	BALL BEARING 627VVMC2EPS2S	1	
26	981-652Z	SECOND PINION	1	
27	608-VVM	BALL BEARING 608VVMC2EPS2L	2	
28	984-357	WASHER	1	
29	609-VVM	BALL BEARING 609VVMC2PS2S	1	
30	982-791	INNER COVER ASS'Y	1	INCLUD.27 - 29
* 31	981-657U	ARMATURE ASS'Y 110V - 127V	1	INCLUD.27,29,43
* 31	981-657E	ARMATURE 220V - 230V	1	
* 31	981-657F	ARMATURE 240V	1	
32	981-562	FAN GUIDE	1	
* 34	960-356	TERMINAL (A) M3.5 (10 PCS.)	1	
* 35	932-642	RIVET D2.5X2.8	1	FOR USA,CAN
36		NAME PLATE	1	
37	961-781	BRUSH CAP	2	
38	999-043	CARBON BRUSH (1 PAIR)	2	
38	981-612Z	CARBON BRUSH (AUTO STOP TYPE) (1 PAIR)	2	
39	981-586	BRUSH HOLDER	2	
40	981-561	TAPPING SCREW (W/SP. WASHER) D5X60	2	
* 41	981-656C	STATOR ASS'Y 110V - 127V	1	INCLUD.34,42
* 41	981-656E	STATOR ASS'Y 220V	1	INCLUD.34,42
* 41	981-656F	STATOR ASS'Y 230V - 240V	1	INCLUD.34,42
* 41	981-656G	STATOR ASS'Y 220V - 230V	1	INCLUD.34,42 FOR ITA,FRG,FRA,HOL,DEN, FIN,SWE,AUT,SUI
* 41	981-656H	STATOR ASS'Y 230V - 240V	1	INCLUD.34,42 FOR NZL,GBR,SAF
* 41	981-656K	STATOR ASS'Y 240V	1	INCLUD.34,42 FOR AUS
* 42	981-373	TUBE (D)	4	
43	984-367	WASHER (C)	1	
44	946-362	BEARING LOCK	1	
45	957-561	HITACHI LABEL	1	

\*: ALTERNATIVE PARTS

2 - 96

**PARTS**

D 13Y

ITEM NO.	CODE NO.	DESCRIPTION	NO. USED	REMARKS
46	981-661	HANDLE COVER	1	
* 47	971-667Z	SWITCH (2P PILLAR TYPE) W/LOCK	1	INCLUD.57 FOR NZL,AUS,GBR,SAF,ITA,FRG, FRA,HOL,DEN,FIN,SWE,AUS,SUI
* 47A	305-409	SWITCH (A) (1P PLUG IN TYPE) W/O LOCK	1	INCLUD.57 FOR USA
* 48	982-805Z	PILLAR TERMINAL (B)	1	FOR FIN
* 49	959-140	CONNECTOR 50091 (10 PCS.)	2	
* 50A	994-273	NOISE SUPPRESSOR	1	
* 51	930-153	SUPPORT (B)	1	FOR NOISE SUPPRESSOR
* 52	986-153	BRUSH TERMINAL	1	FOR USA,CAN
* 53	986-154	BRUSH TERMINAL	1	FOR USA,CAN
54	961-681	HEX. SOCKET SET SCREW M4X5	2	
55	981-580	HOUSING ASS'Y	1	INCLUD.39,54
56	982-095	TAPPING SCREW (W/WASHER) D4X20	5	
* 57	980-060	MACHINE SCREW (W/WASHER) M3.5X5	2	
* 58	982-805Z	PILLAR TERMINAL (B)	1	FOR USA,CAN
* 59	986-277	INTERNAL WIRE	1	
* 60	981-658Z	REVERSING SWITCH	1	
* 60	981-659	REVERSING SWITCH	1	FOR NZL,GBR,SAF,ITA,FRG,FRA,HOL,DEN,FIN, SWE,AUT
* 60	981-663P	REVERSING SWITCH	1	FOR USA,CAN
* 61	981-666Z	PILLAR TERMINAL (B)	1	
* 61	982-804Z	PILLAR TERMINAL (B)	1	FOR USA,CAN
62	984-750	TAPPING SCREW (W/FLANGE) D4X16	2	
63	960-266	CORD CLIP	1	
* 64	953-327	CORD ARMOR D8.8	1	
* 64	938-051	CORD ARMOR D10.1	1	
* 65	981-373	TUBE (D)	1	FOR SUI
* 66	500-201Z	CORD	1	(CORD ARMOR D10.1)
* 66	500-226Z	CORD	1	(CORD ARMOR D8.8) FOR NZL,NGU,AUS
* 66	500-231Z	CORD	1	(CORD ARMOR D8.8) FOR GBR,SAF
* 66	500-240Z	CORD	1	(CORD ARMOR D8.8) FOR USA,CAN
* 66	500-245Z	CORD	1	(CORD ARMOR D10.1) FOR SYR
* 66	500-247Z	CORD	1	(CORD ARMOR D10.1) FOR ITA,FRG,FRA,HOL, DEN,FIN,SWE,AUT
* 66	500-248Z	CORD	1	(CORD ARMOR D10.1) FOR SUI
67	986-156	SPINDLE GEAR ASS'Y	1	SINCE 7.1984

**STANDARD ACCESSORIES**

ITEM NO.	CODE NO.	DESCRIPTION	NO. USED	REMARKS
501	930-886	HANDLE JOINT	1	
502	956-633	SIDE HANDLE	1	
503	949-168	WRENCH 13/17MM	1	
504	981-655Z	DEPTH STOPPER	1	

\* : ALTERNATIVE PARTS

