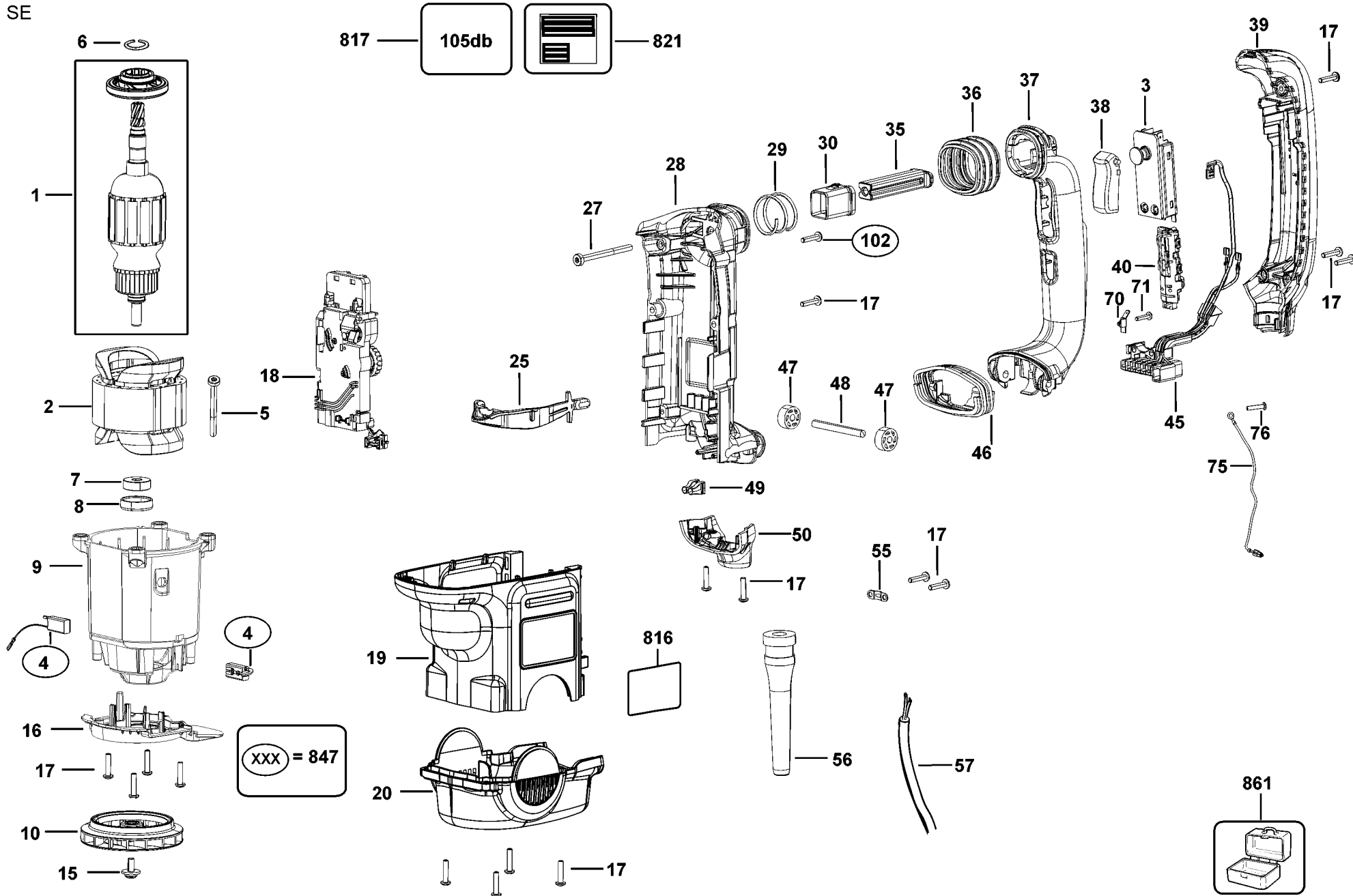
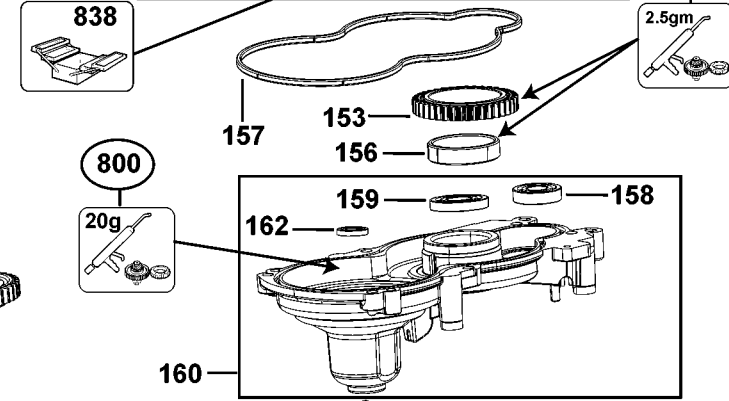
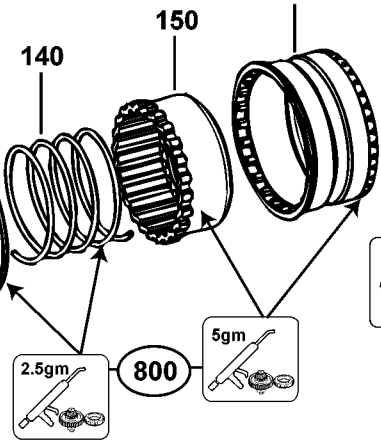
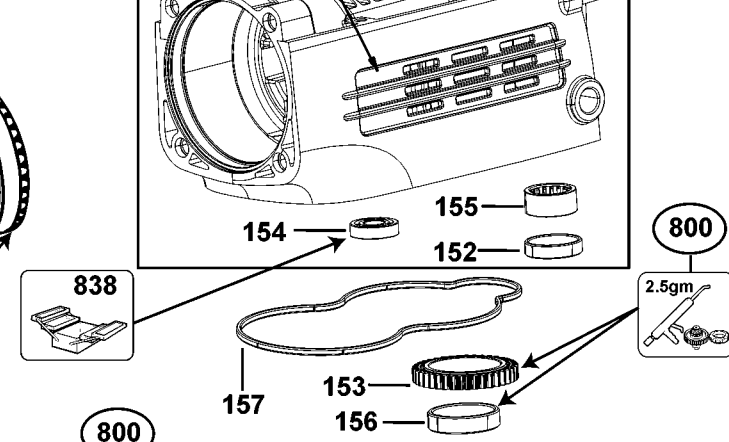
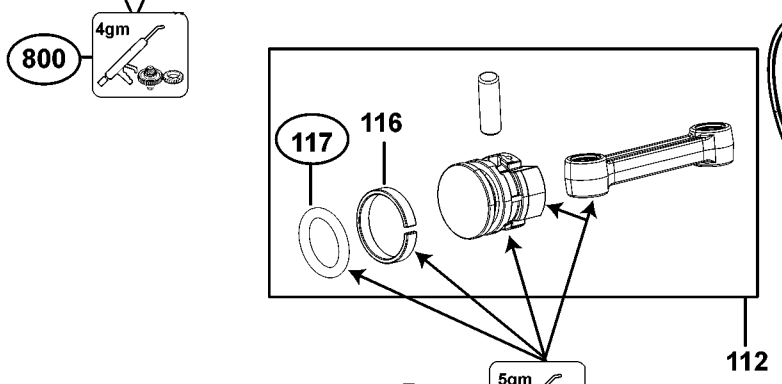
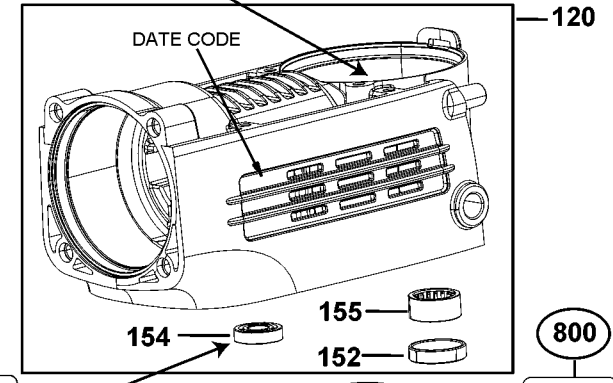
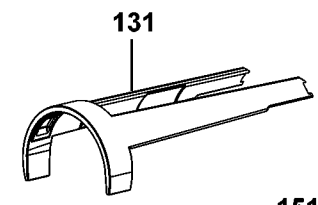
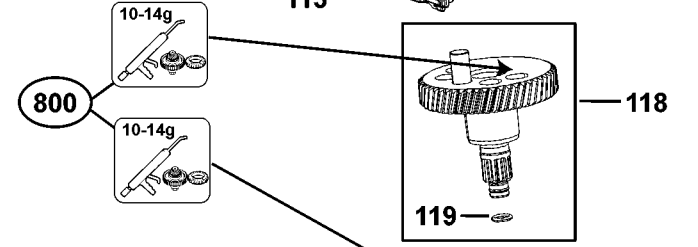
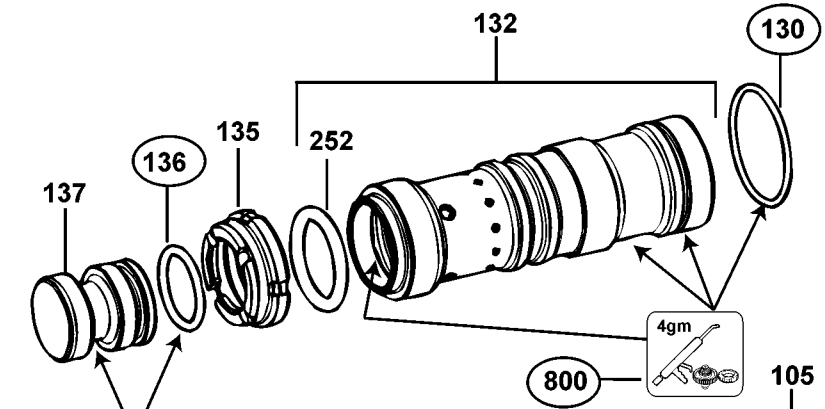
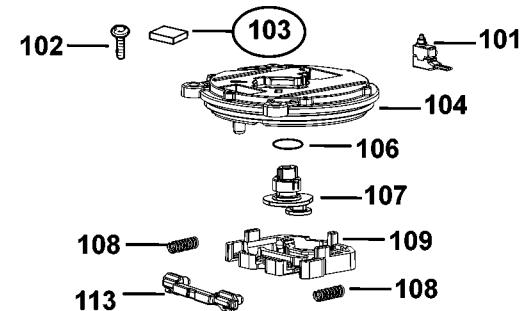
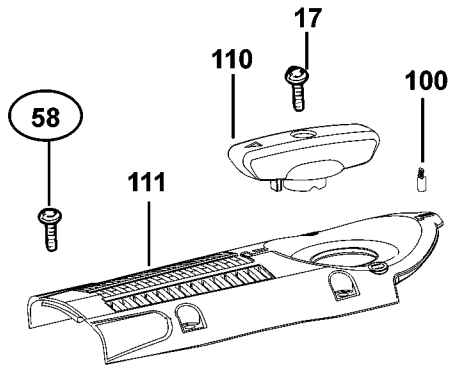


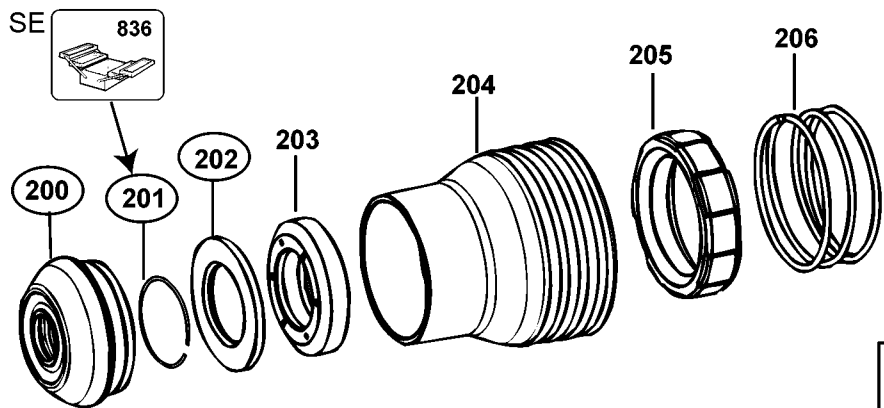
SE



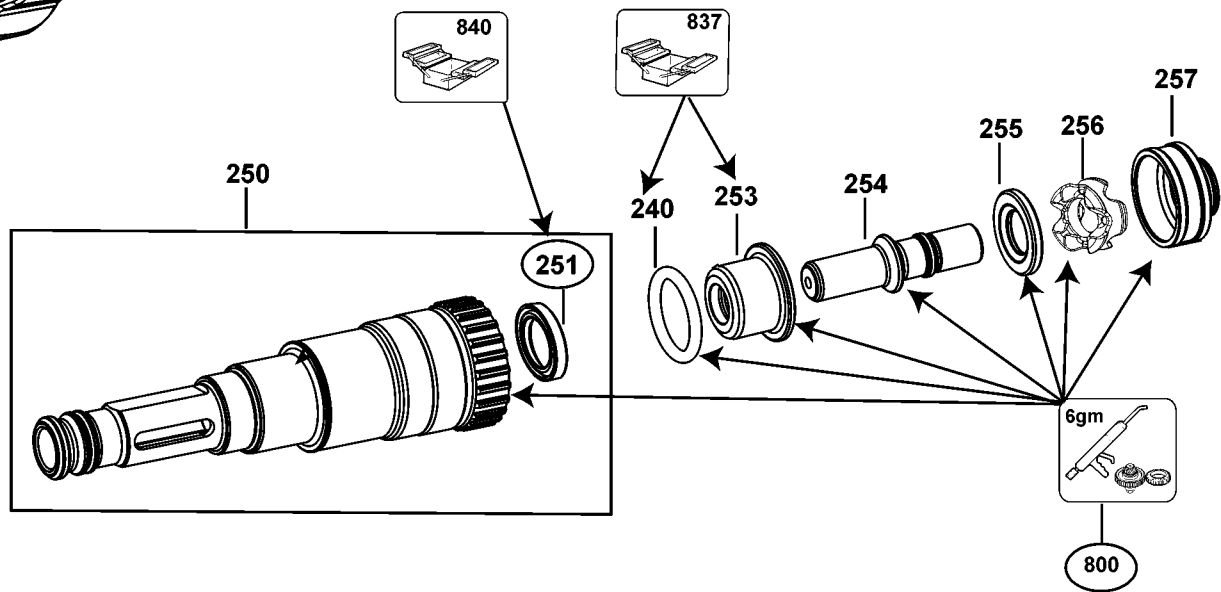
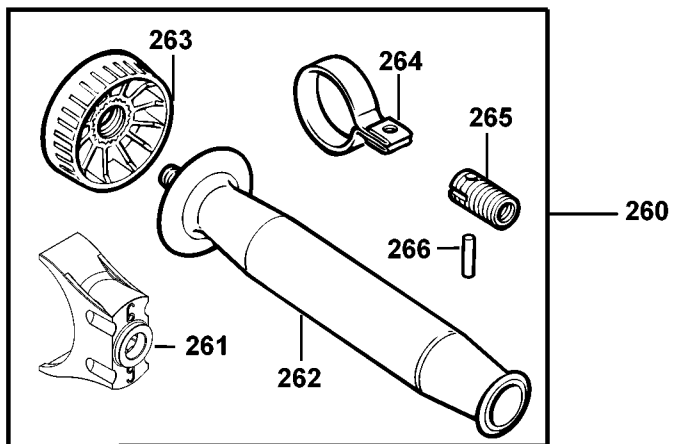
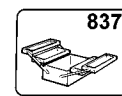
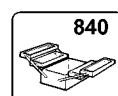
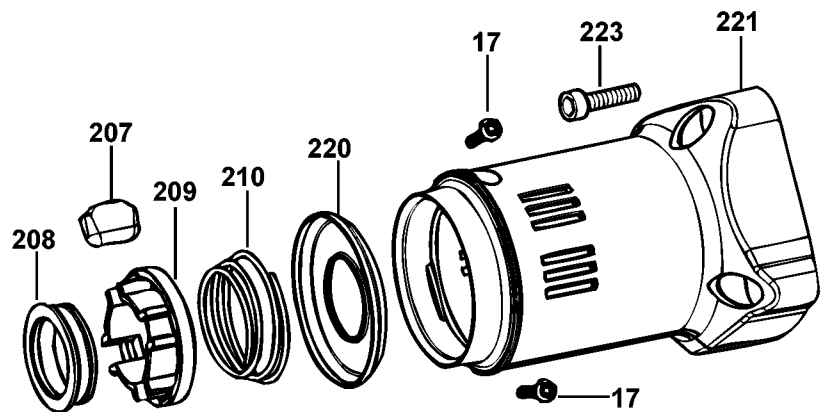
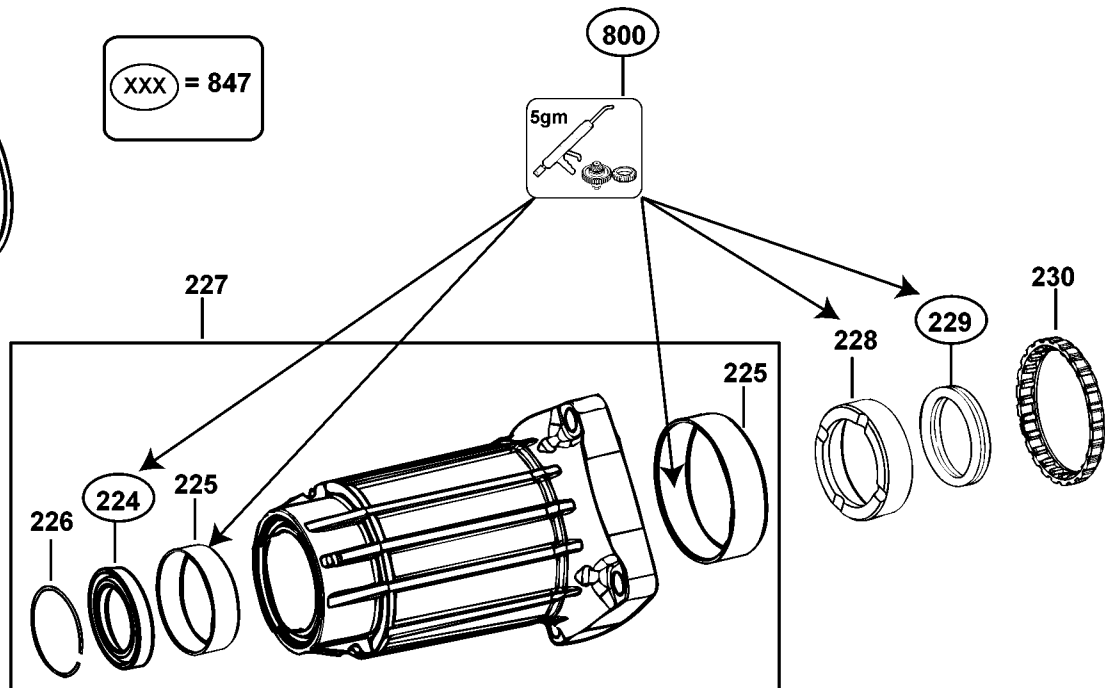
SE



XXX = 847



XXX = 847



## Parts List for D25723K Type 1

| Item Number | Part Number | Description      | Qty Required |
|-------------|-------------|------------------|--------------|
| 1           | 489252-00   | ARMATURE         | 1            |
| 2           | 489255-00   | FIELD            | 1            |
| 3           | 587274-00   | SWITCH           | 1            |
| 4           | 489257-00   | BRUSH,PAIR       | 1            |
| 5           | 330019-30   | SCREW            | 2            |
| 6           | 577746-00   | RING             | 1            |
| 7           | 577745-00   | BALL BEARING     | 1            |
| 8           | 590191-00   | SLEEVE,INSULATE  | 1            |
| 9           | N053063-02  | MOTOR HOUSING    | 1            |
| 10          | 1006393-00  | FAN              | 1            |
| 15          | 324119-02   | SCREW            | 1            |
| 16          | N029959     | BAFFLE, FAN      | 1            |
| 17          | 330065-08   | SCREW            | 19           |
| 18          | N053980     | GACC MODULE 115V | 1            |
| 19          | N022762-00  | MOTOR COVER      | 1            |
| 20          | N027971     | END CAP          | 1            |
| 25          | N081352     | LEVER ASSY.      | 1            |
| 27          | 1005672-00  | SCREW            | 1            |
| 28          | N026163-04  | SUPPORT PLATE    | 1            |
| 29          | 1007569-00  | SPRING           | 1            |
| 30          | 1007567-00  | BUSHING          | 1            |
| 35          | 1007566-00  | STOP             | 1            |
| 36          | 1007565-00  | BELLOWS          | 1            |
| 37          | 1006579-00  | SWITCH HANDLE    | 1            |
| 38          | 587114-01   | TRIGGER          | 1            |
| 39          | 1006580-00  | HANDLE COVER     | 1            |
| 40          | N019514     | TRIGGER,LOCK-ON  | 1            |

## Parts List for D25723K Type 1

| Item Number | Part Number | Description     | Qty Required |
|-------------|-------------|-----------------|--------------|
| 45          | N041832     | LEAD WIRE ASSY  | 1            |
| 46          | 1008678-00  | BELLOWS         | 1            |
| 47          | N038214     | BUSHING         | 2            |
| 48          | N062047     | PIN             | 1            |
| 49          | N030728     | LENS            | 1            |
| 50          | 1008391-00  | COVER           | 1            |
| 55          | 821070      | CORD CLAMP      | 1            |
| 56          | 323091-01   | PROTECTOR,CORD  | 1            |
| 57          | 330100-98   | CORD/9FT/14-3SJ | 1            |
| 58          | 324007-11   | SCREW           | 4            |
| 70          | N015311     | CONNECTOR       | 1            |
| 71          | 326619-00   | SCREW           | 1            |
| 75          | N020040     | LEAD WIRE       | 1            |
| 76          | 326619-00   | SCREW           | 1            |
| 100         | 326467-00   | DETENT          | 1            |
| 101         | N019533     | MICRO SWITCH    | 1            |
| 102         | 324007-11   | SCREW           | 22           |
| 103         | 488067-00   | FILTER          | 1            |
| 104         | N027968     | GEARCASE COVER  | 1            |
| 105         | 323711-56   | O-RING          | 1            |
| 106         | 323711-48   | O-RING          | 1            |
| 107         | 586032-00   | ECCENTRIC       | 1            |
| 108         | 323395-32   | SPRING          | 2            |
| 109         | N027969     | SLIDER          | 1            |
| 110         | 586038-00   | SELECTOR        | 1            |
| 111         | 585168-02   | COVER, TOP      | 1            |
| 112         | N079389     | PISTON KIT      | 1            |

## Parts List for D25723K Type 1

| Item Number | Part Number | Description    | Qty Required |
|-------------|-------------|----------------|--------------|
| 113         | N027970     | RETAINER       | 1            |
| 116         | N029957     | CLIP           | 1            |
| 117         | 584703-00   | O-RING         | 1            |
| 118         | N091329     | CRANKSHAFT     | 1            |
| 119         | 323711-26   | RING,O         | 1            |
| 120         | N079379     | HOUSING ASSY.  | 1            |
| 130         | 577744-07   | O-RING         | 1            |
| 131         | 586034-00   | SLIDER         | 1            |
| 132         | N079394     | CYLINDER ASSY. | 1            |
| 135         | 584715-00   | BUSH           | 1            |
| 136         | 584706-00   | O-RING         | 1            |
| 137         | 489180-00   | RAM            | 1            |
| 139         | 478650-00   | BUSH           | 1            |
| 140         | 584726-00   | SPRING         | 1            |
| 150         | 489181-01   | SLEEVE         | 1            |
| 151         | N079396     | BEVEL GEAR     | 1            |
| 152         | 479974-00   | SPACER         | 1            |
| 153         | 488688-00   | GEAR           | 1            |
| 154         | 577745-02   | BEARING BALL   | 1            |
| 155         | 586301-00   | NEEDLE BEARING | 1            |
| 156         | 489239-00   | BEARING BUSH   | 1            |
| 157         | 586022-00   | SEAL           | 1            |
| 158         | 330003-39   | BEARING,BALL   | 1            |
| 159         | 327141-08   | SEAL           | 1            |
| 160         | N079386     | GEARCASE COVER | 1            |
| 161         | 586392-00   | PIN            | 1            |
| 162         | 586403-00   | SEAL           | 1            |

## Parts List for D25723K Type 1

| Item Number | Part Number | Description   | Qty Required |
|-------------|-------------|---------------|--------------|
| 165         | N079392     | CLUTCH ASSY.  | 1            |
| 200         | 487238-01   | SEAL          | 1            |
| 201         | 487205-00   | RING          | 1            |
| 202         | 487241-00   | WASHER        | 1            |
| 203         | 487244-00   | RUBBER        | 1            |
| 204         | 487236-00   | SLEEVE        | 1            |
| 205         | 579784-00   | LOCKING RING  | 1            |
| 206         | 487218-00   | SPRING        | 1            |
| 207         | 489672-00   | KEY           | 2            |
| 208         | 487249-00   | BUSH          | 1            |
| 209         | 590377-00   | GUIDE BUSHING | 1            |
| 210         | 487216-00   | SPRING        | 1            |
| 220         | 584696-00   | GUIDE         | 1            |
| 221         | 585167-02   | COVER         | 1            |
| 223         | 949886-32   | SCREW         | 4            |
| 224         | 327141-07   | SEAL,LIP      | 1            |
| 225         | 488679-00   | BEARING SET   | 1            |
| 226         | 488787-00   | RING          | 1            |
| 227         | 488678-00   | HOUSING,FRONT | 1            |
| 228         | 589096-00   | BUSH          | 1            |
| 229         | 589223-00   | DAMPER        | 1            |
| 230         | 584727-00   | BUSH          | 1            |
| 240         | 488546-00   | O-RING        | 1            |
| 250         | 488676-00   | SPINDLE ASSY. | 1            |
| 251         | N014007     | SEAL          | 1            |
| 252         | 1005597-00  | O-RING        | 1            |
| 253         | 488685-00   | BEARING       | 1            |

## Parts List for D25723K Type 1

| Item Number | Part Number | Description     | Qty Required |
|-------------|-------------|-----------------|--------------|
| 254         | 488681-00   | BEAT PIECE      | 1            |
| 255         | 488680-00   | WASHER          | 1            |
| 256         | 577744-06   | O-RING          | 1            |
| 257         | 488686-00   | BUSH            | 1            |
| 260         | N083965     | HANDLE ASSEMBLY | 1            |
| 261         | N021312     | CLAMPING INSERT | 1            |
| 262         | N114828     | HANDLE          | 1            |
| 263         | 326553-00   | RING,LOCKING    | 1            |
| 264         | 479333-00   | CLAMP           | 1            |
| 265         | 326552-00   | BUSHING         | 1            |
| 266         | N079374     | PIN             | 1            |
| 800         | 578970-04   | GREASE          | 1            |
| 816         | N061824     | BRAND LABEL     | 1            |
| 817         | 487395-01   | LABEL           | 1            |
| 821         | N317614     | RATING LABEL    | 1            |
| 836         | 559651-99   | SERVICE TOOL    | 1            |
| 836         | 559652-99   | SERVICE TOOL    | 1            |
| 837         | 559653-99   | SERVICE TOOL    | 1            |
| 838         | 559657-99   | SERVICE TOOL    | 1            |
| 840         | 559659-99   | SERVICE TOOL    | 1            |
| 847         | N082645     | SERVICE KIT     | 1            |
| 861         | N072214     | KIT BOX         | 1            |