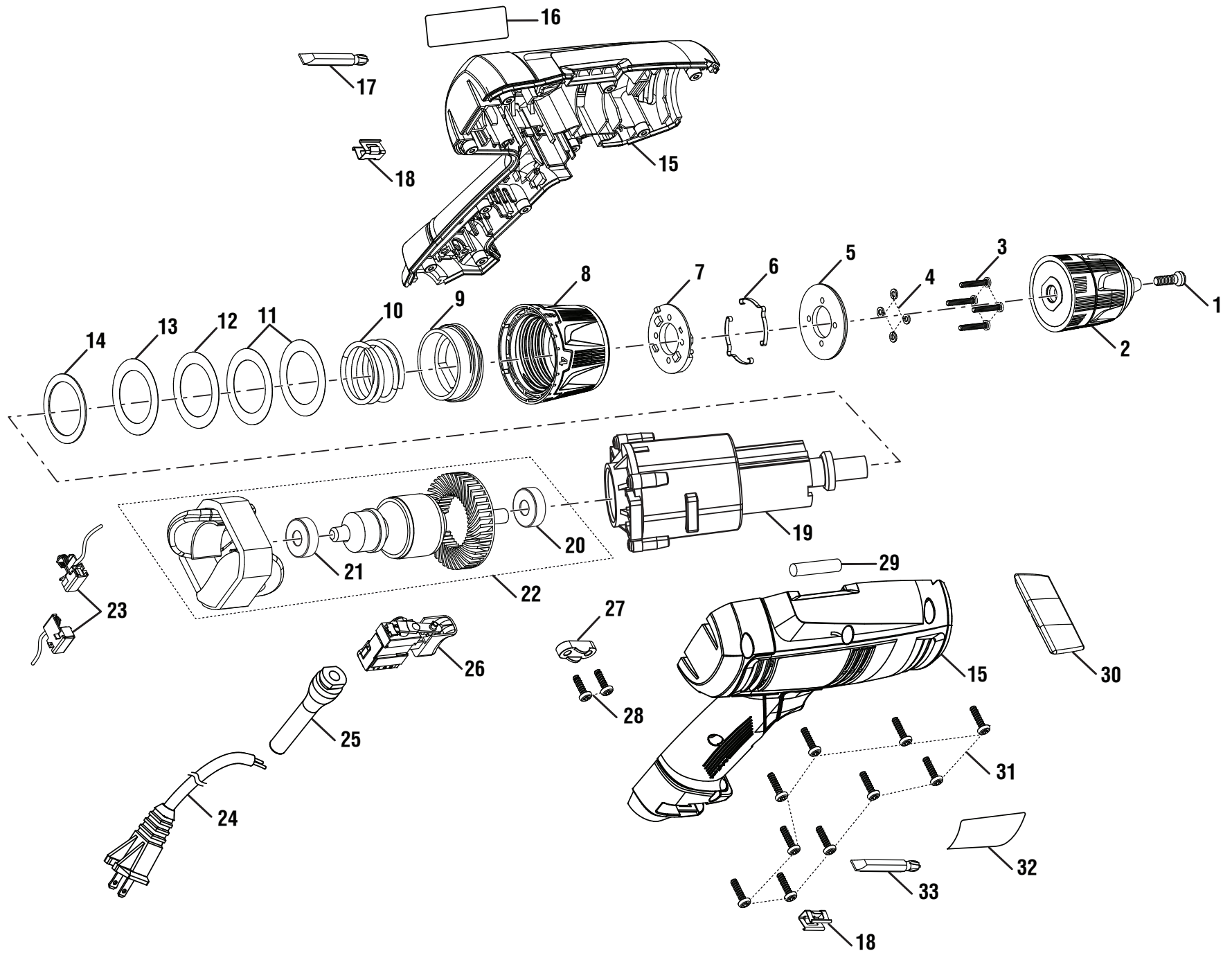


RYOBI
3/8 in. DRILL AND CLUTCHDRIVER™
MODEL NUMBER D47CG
REPAIR SHEET

RYOBI 3/8 in. DRILL AND CLUTCHDRIVER™ – MODEL NUMBER D47CG

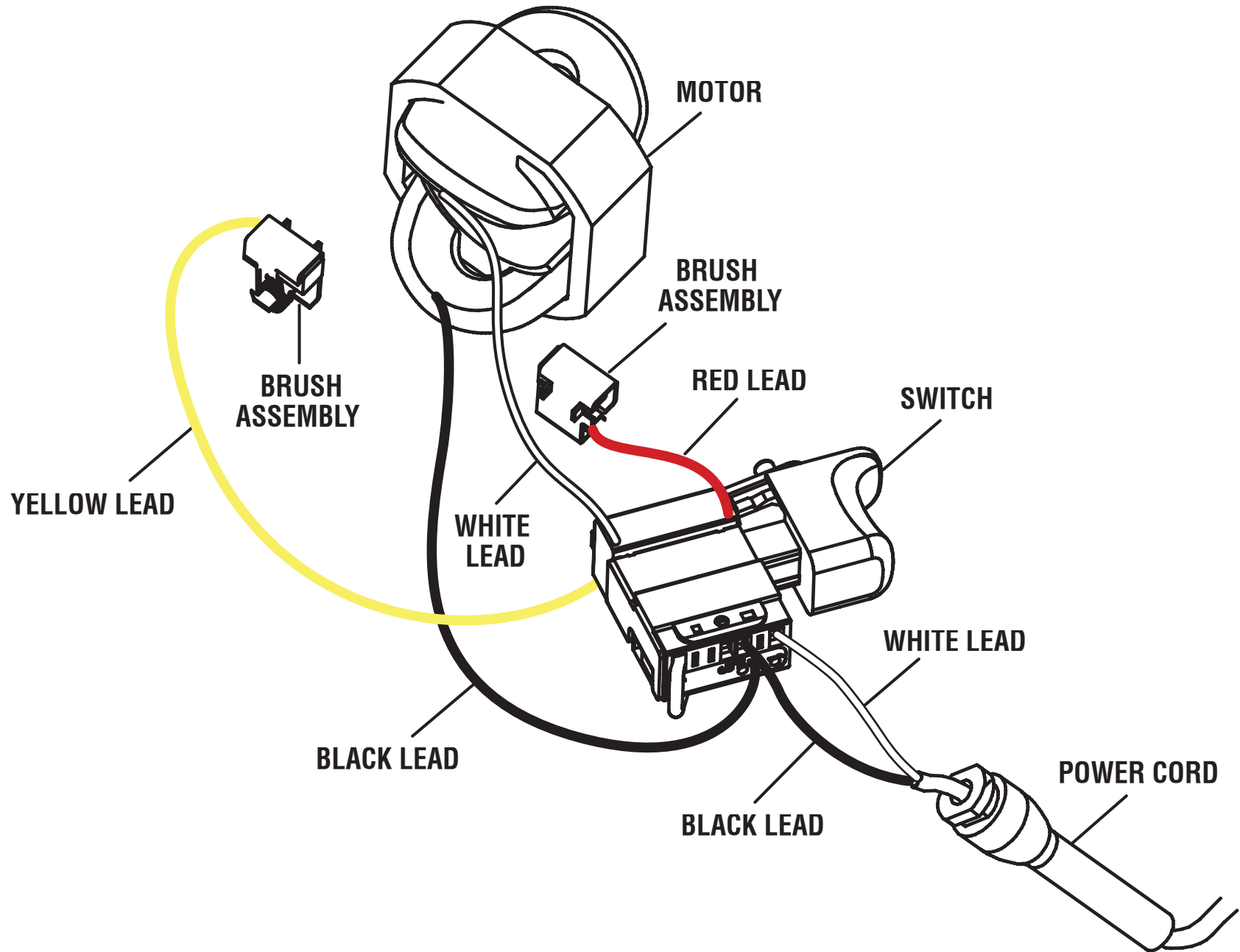


RYOBI 3/8 in. DRILL AND CLUTCHDRIVER™ – MODEL NUMBER D47CG

The model number will be found on a label attached to the motor housing. Always mention the model number in all correspondence regarding your 3/8 in. DRILL AND CLUTCHDRIVER™ or when ordering parts.

PARTS LIST

KEY NO.	PART NUMBER	DESCRIPTION	QTY	KEY NO.	PART NUMBER	DESCRIPTION	QTY
1	6612003	Screw (M5 x 18.5 mm, Left Hand).....	1	20	680966003	Ball Bearing (608 2RS)	1
2	690033085	Chuck	1	21	680141018	Ball Bearing (608ZZ)	1
3	660203059	Screw (M3 x 18 mm).....	4	22	303212001	Motor Assembly (Inc. Key Nos. 20-21).....	1
4	6702801	Spring Washer	4	23	290537001	Brush Assembly.....	1
5	6359801	Mounting Plate	1	24	730372015	Power Cord.....	1
6	631892001	Spring Plate	2	25	5629001	Bend Relief	1
7	5434601	Spring Holder.....	1	26	760677017	Switch.....	1
8	341918003	Clutch Cap Assembly	1	27	5950101	Cord Clamp	1
9	511333002	Sleeve	1	28	660208052	Screw (M4 x 16 mm).....	2
10	680434002	Spring (OD 35.4 x ID 29.6 x 23)	1	29	300009009	Level Assembly.....	1
11	6897003	Washer (OD 43 x ID 30 x 0.15t)	2	30	519384004	Forward/Reverse Button.....	1
12	6897002	Washer (OD 43 x ID 30 x 0.2t)	1	31	660206042	Screw (M3.5 x 16 mm).....	10
13	6897005	Washer (OD 43 x ID 30 x 0.1t)	1	32	941121218	Data Label.....	1
14	670105005	Washer (OD 39.3 x ID 30.5 x 1.5t)	1	33	6782044	Bit (#3 Phillips Head/#7 Slotted x 50 mm).....	1
15	303211002	Housing Assembly Inc. Key Nos. 16 and 32)	1	Not Shown:			
16	940114179	Logo Label.....	1	902033042	Tool Bag.....	1	
17	6782045	Bit (#2 Phillips Head/#6 Slotted x 50 mm).....	1	987000791	Operator's Manual (961152212)		
18	630206007	Bit Clip	2	5-29-15			
19	220017199	Gear Box Assembly	1	(Rev:02)			



WIRING DIAGRAM