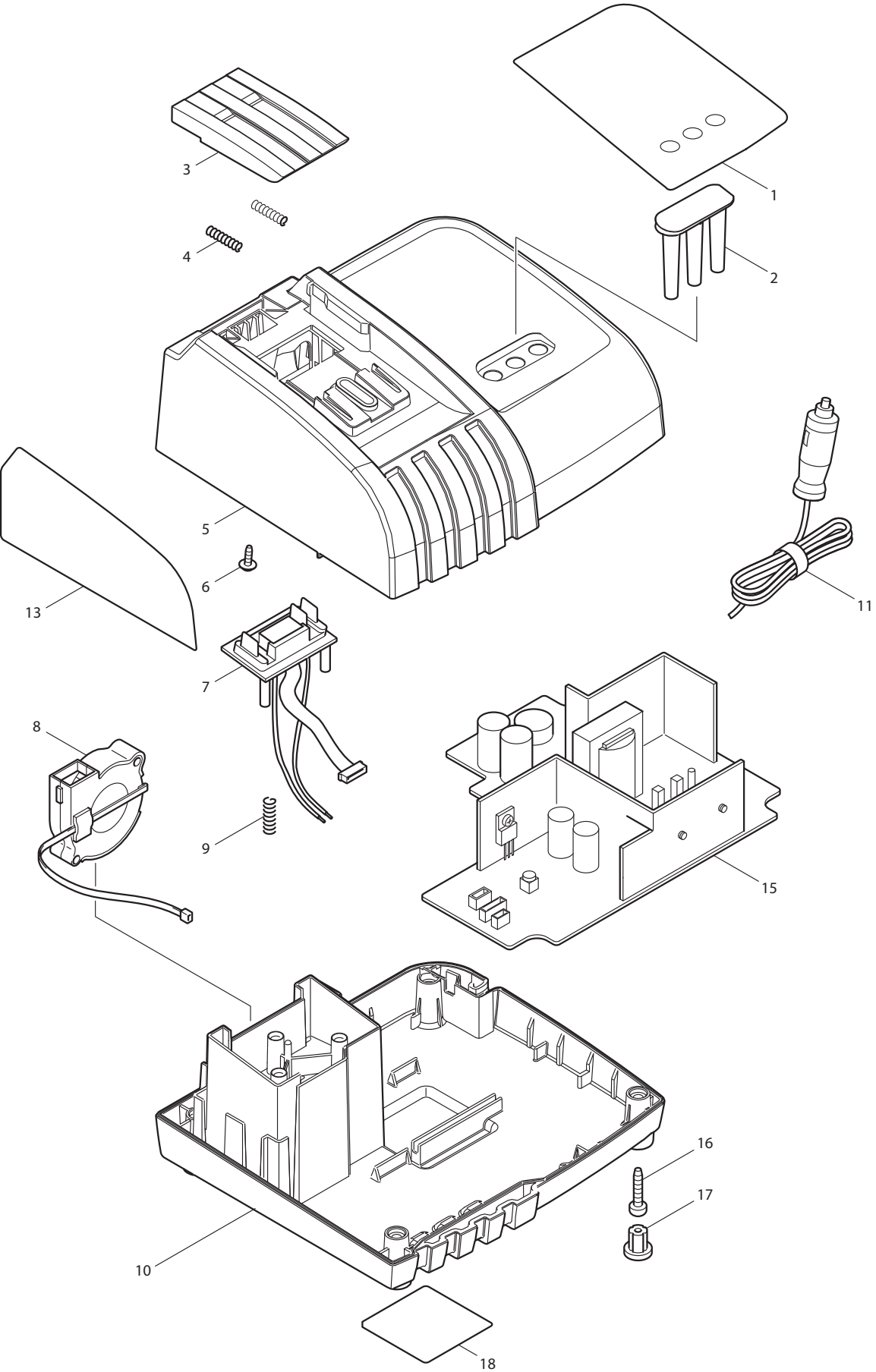




07 - 2008
DC18SE
12V AUTOMOTIVE CHARGER

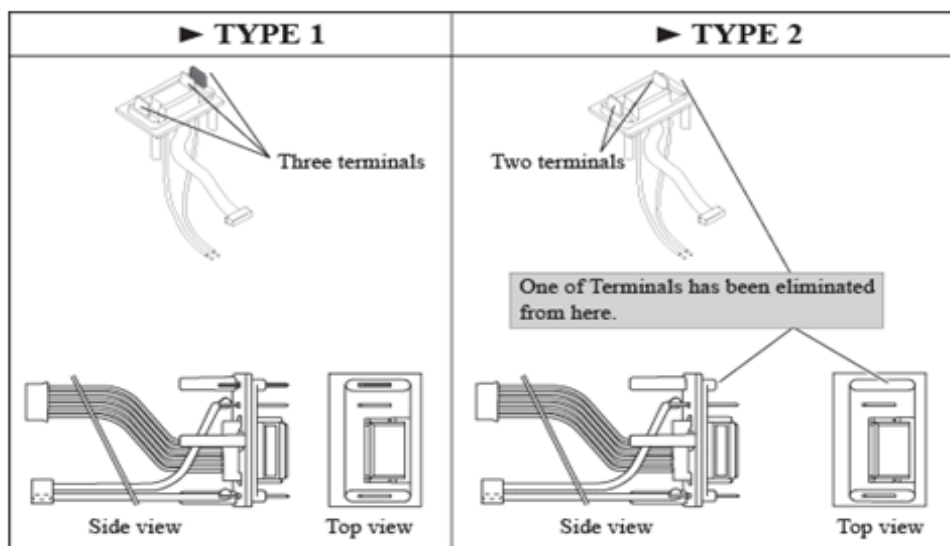


Item No	Type	Ref	Part No	Description	Qty	Unit
1			807531-8	CHARGING CONDITION LABEL	1	PC.
2			419570-2	ACRYRIC PIN	1	PC.
3			419569-7	TERMINAL COVER	1	PC.
4			231474-6	COMPRESSION SPRING 4	2	PC.
5			188609-9	CHARGER CASE SET	1	SET
5		INC.		Item No. 2, 13		
6			266278-7	TAPPING SCREW FLANGE BT3X10	1	PC.
7			638602-8	TERMINAL UNIT	1	PC.
8			638499-5	SCIROCCO FAN	1	PC.
9			233194-8	COMPRESSION SPRING 4	1	PC.
10			419567-1	CHARGER CASE COVER	1	PC.
11			667857-8	POWER SUPPLY CORD	1	PC.
13			810424-0	CAUTION LABEL	1	PC.
15			631826-5	CHARGING CIRCUIT	1	PC.
16			266346-6	TAPPING SCREW BT 4X20	4	PC.
17			286255-3	CAP 13	4	PC.
18			865865-5	DC18SE NAME PLATE	1	PC.
100			652761-4	FUSE	1	PC.

SERVICE CHANGE

1. CHANGE ON TERMINAL

Item No.	DESCRIPTION	TYPE1	TYPE2
7	TERMINAL	638602-8	638602-8



PARTS NO. REMAIN THE SAME