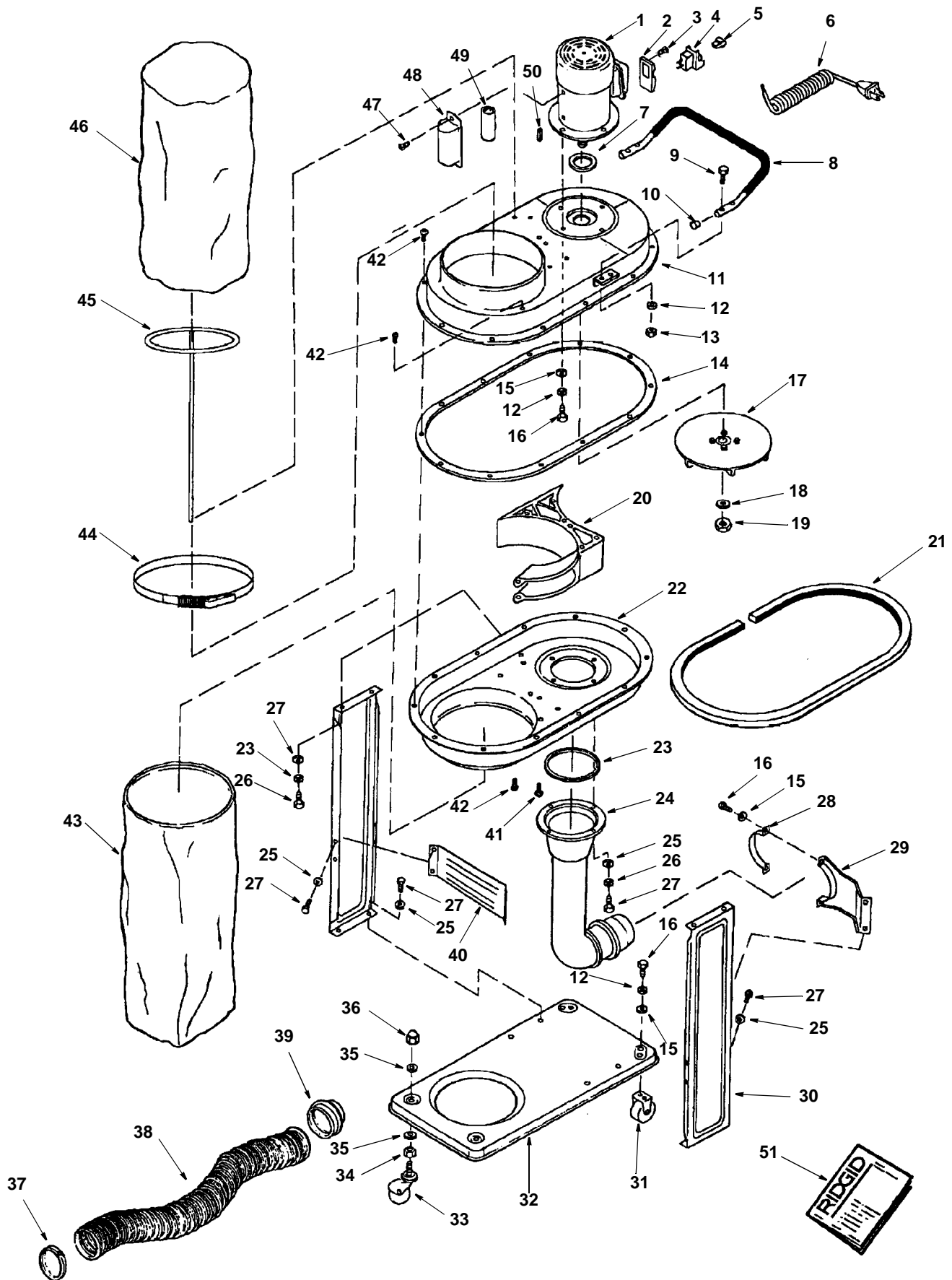


# Repair Parts

## Parts List For RIDGID Dust Collection System Model DC20000



# Repair Parts

## Parts List For RIDGID Dust Collection System Model DC20000

Always order by Part Number - not by Key Number

Key No.	Part No.	Description	Key No.	Part No.	Description
1	826690	⚠ •Motor, 1 H.P.	28	819202-1	Clamp, Inlet Support
2	826395	Bezel Switch	29	819201-1	Bracket, Inlet Support
3	*	Screw Hex hd. M6 x 1.0-20	30	819196-1	Leg
4	826123	⚠ Switch	31	819207	Caster, Fixed
5	826122	⚠ Key, Switch	32	819199-1	Base
6	819189-1	⚠ Cord with Plug	33	819203	Caster, Pivoting
7	819173	Seal, Motor	34	*	Nut, Hex 3/8-16
8	826692	Handle	35	*	Washer, Flat 3/8 x 3/4 x 3/32
9	*	Screw, Hex Hd. M6x1-30	36	*	Nut, Acorn 3/8-16
10	819192	Plug, Plastic	37	826693	Clamp, Hose
11	819171-1	Housing, Upper	38	819267	Hose, Flex 4.0 Inch
12	*	Lockwasher, 1/4	39	819269	Adapter 2-1/2"/4.0"
13	*	Nut, Hex M6 x 1	40	819200-1	Bracket, Leg
14	819183	Seal, Housing	41	*	Screw, Pan Hd. M4 x 16-12 Ty "AB"
15	*	Washer, 1/4 x 1/2 x 1/16	42	*	Screw, Pan Hd. M4 x 16-10 Ty "B"
16	*	Screw, Hex M6 x 1-12	43	819170-1	⚠ Bag, Lower Chip
17	819176	Impeller	44	819169-1	⚠ Clamp, Filter/Dust Bag
18	819198-1	Washer, 5/8 x 1-1/2 x 1/8	45	826689	Holder, Dust Bag
19	*	Nut, Hex 5/8-18	46	826677	⚠ Bag, Upper Filter/Dust
20	826691	⚠ Guard, Impeller	47	*	⚠ Screw, Pan Hd. M4 x 0.7-10
21	819190-1	Sleeve, Housing Edge	48	819174	Cover, Capacitor
22	819182-1	Housing, Lower	49	819167	Capacitor
23	819195	O-Ring, 137mm	50	819188	Key
24	819194	⚠ Pipe, Inlet	51	SP6188	Owners Manual
25	*	Washer, 5/16 x 11/16 x 3/32			
26	*	Lockwasher 5/16			
27	*	Screw, Hex Hd. M8 x 1.25-12			

\* Standard Hardware Item - May be Purchased Locally.

**⚠ WARNING: These Items Are Important To The Safety Of This Tool. Do Not Substitute Common Parts.**

- Any attempt to repair or replace electrical parts on this unit may create a HAZARD unless repair is done by a qualified service technician. Repair service is available at an Authorized Service Center.