

4

9

42

47

37

38

250

89

252

94

262

380

152

5

43

1

6

263

10

307

254

375

313

368

381

371

385

390

371

397

DATE CODE

302

265

49

43

98

44

50

90

91

861

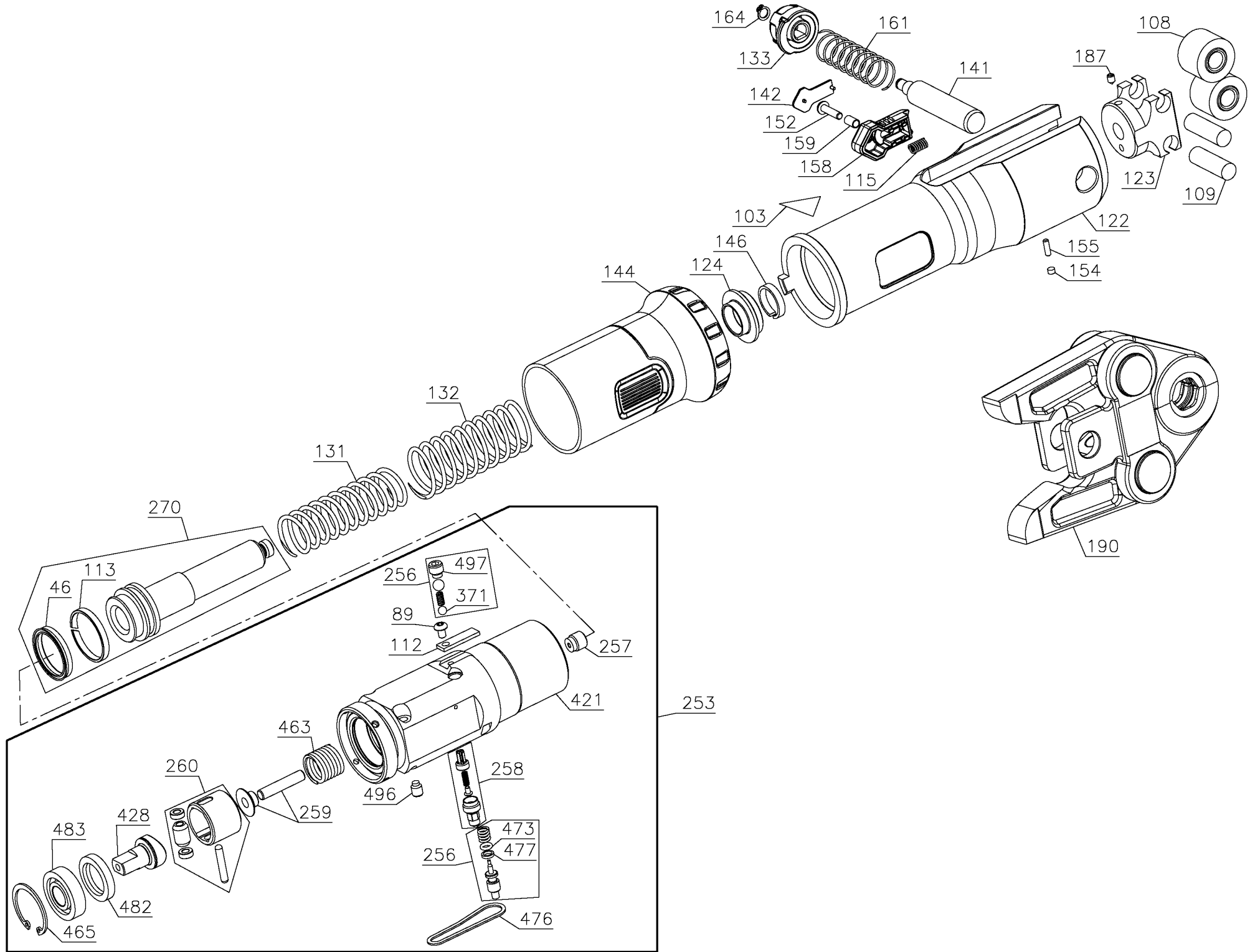
866

871

800

836

2



Parts List for DCE200M2K Type 1

Item Number	Part Number	Description	Qty Required
1	N071836	ROLL PIN	1
2	N467272	RATING LABEL	1
4	N468403	ID LABEL	1
5	N470463	LABEL	1
6	N448431	COVER	1
9	N442546	RING	1
10	5140194-49	RIVET	1
37	N468404	LABEL	1
38	5140181-40	HOLDER	1
42	N440487	SHACKLE	1
43	N424855	HOUSING SET	1
44	N394333	LENS	1
46	5140181-38	RING	1
47	N440484	HOLDER	1
49	N440486	PIN	3
50	N454245	TRIGGER SPRING	1
89	5140181-41	SCREW	5
90	N463971	SHOULDER STRAP	1
91	N464697	CABLE	1
93	5140181-42	SCREW	2
94	5140181-43	SCREW	2
98	N448779	SCREW	13
103	5140181-44	LABEL	1
108	5140181-46	ROLLER	2
109	5140181-47	PIN	2
112	5140181-45	PLATE	1
113	5140181-39	O-RING	1

Parts List for DCE200M2K Type 1

Item Number	Part Number	Description	Qty Required
115	5140181-65	SPRING	1
122	5140181-48	BODY	1
123	5140181-49	ROLLER HOLDER	1
124	5140181-50	COLLAR	1
131	5140181-54	PISTON SPRING	1
132	5140181-55	PISTON SPRING	1
133	N451102	WHEEL	1
141	5140181-56	FORK	1
142	N451104	COVER	1
144	N448983	SLEEVE	1
146	5140181-57	GUIDE	1
152	5140181-58	SCREW	2
154	5140181-59	SET SCREW	1
155	5140181-60	PIN	1
158	N451103	RELEASE	1
159	5140181-61	SPACER	1
161	5140181-62	SPRING	2
164	5140181-63	RETAINING RING	1
187	5140181-64	SCREW	1
190	N458718	PRESS JAW SET	1
190	N458719	PRESS JAW SET	1
190	5140227-55	PRESS JAW SET	1
190	N458717	PRESS JAW SET	1
190	N458714	PRESS JAW SET	1
190	N458715	PRESS JAW SET	1
190	N458716	PRESS JAW SET	1
250	5140182-24	MOTOR & GEARBOX	1

Parts List for DCE200M2K Type 1

Item Number	Part Number	Description	Qty Required
252	5140206-78	RESERVOIR ASSY	1
253	5140206-79	HYDRAULIC ASSEMBLY	1
254	5140181-78	CARTRIDGE	1
256	5140181-82	RELEASE	1
257	5140182-13	VALVE	1
258	5140181-81	VALVE ASSEMBLY	1
259	5140181-92	SPRING COLLAR	1
260	5140181-79	CAM ASSEMBLY	1
262	5140181-69	PISTON ASSEMBLY	1
263	N460167	ELECT.MODULE	1
264	5140181-36	TRIGGER UNIT	1
265	5140181-35	TRIGGER UNIT	1
270	5140181-37	PISTON ASSEMBLY	1
302	5140181-66	PLUG	1
307	5140181-67	TANK	1
313	5140181-68	BODY	1
368	5140181-70	PIN	1
371	5140181-71	BALL	2
375	5140181-72	O-RING	1
380	5140181-73	O-RING	1
381	5140181-74	PIN	1
385	5140181-75	LOCK WASHER	1
386	N436502	ARM	1
390	5140181-76	NUT	1
397	5140181-77	PLUG	2
421	5140181-80	BODY	1
428	5140181-83	CAM	1

Parts List for DCE200M2K Type 1

Item Number	Part Number	Description	Qty Required
463	5140181-84	SPRING	1
465	5140181-85	RETAINING RING	1
473	5140181-86	O-RING	1
476	5140181-87	O-RING	1
477	5140181-88	RING	1
482	5140181-89	SEAL RING	1
483	5140181-90	BALL BEARING	1
496	5140181-91	SCREW	1
497	5140182-09	SCREW	1
800	5140187-99	HYDRAULIC OIL	1
836	5140186-28	LOCTITE	1
861	N467285	KIT BOX	1
866	DCB204	BATTERY PACK	2
871	DCB115	CHARGER	1