

DUO-FAST

NAILERS STAPLERS FASTENERS
Corrugated Fastener Tool
DCF-100

0536979
 DUO-FAST CORPORATION
 AN ITW COMPANY
 2400 GALVIN DRIVE
 ELGIN, ILLINOIS 60123-7883
 U.S.A.

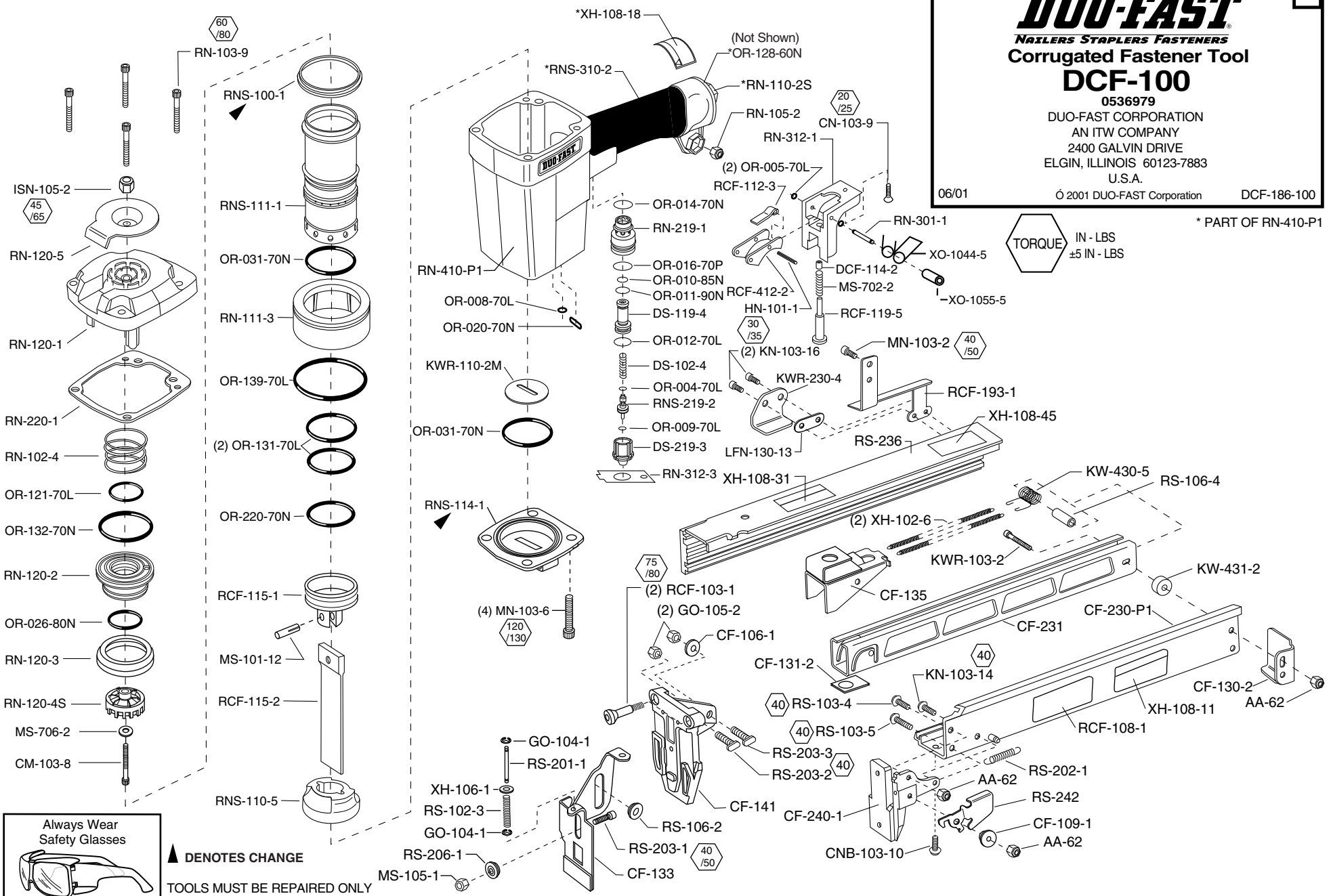
06/01

© 2001 DUO-FAST Corporation

DCF-186-100

* PART OF RN-410-P1

TORQUE
 IN - LBS
 ±5 IN - LBS



Always Wear Safety Glasses

When Using Power Tools
 XA-1011 CLEAR
 XA-1022 TINTED

▲ DENOTES CHANGE

TOOLS MUST BE REPAIRED ONLY WITH FACTORY AUTHORIZED PARTS
 SIEMPRE REPAIRE LAS HERRAMIENTAS SOLAMENTE CON PARTES DE REPUESTO AUTORIZADAS POR DUO-FAST

DCF-100

UNIQUE #	PART NO.	DESCRIPTION	REPLACES	UNIQUE #	PART NO.	DESCRIPTION	REPLACES
0390450	AA-62	NUT		0043976	OR-220-70N	O-RING	
0453670	CF-106-1	WASHER		0534107	RCF-103-1	SHOULDER SCREW	
0452557	CF-109-1	LATCH BUSHING		0534115	RCF-108-1	MODEL LABEL	
0452631	CF-130-2	BASE END PLATE		0534149	RCF-112-3	TRIP LEVER	
0452672	CF-131-2	TRACK CUSHION		0534073	RCF-115-1	PISTON	
0455188	CF-133	NUT		0534081	RCF-115-2	DRIVER BLADE	
0452680	CF-135	PUSHER ASM.		0534131	RCF-119-5	PUSH ROD, SAFETY	
0490144	CF-141	FRONT NOSE		0534123	RCF-193-1	SUPPORT BRACKET (REAR)	
0453928	CF-230-P1	MAG BASE PARTIAL ASSM		1011888	RCF-412-2	TRIGGER	
0453936	CF-231	TRACK ASM		0262261	RN-102-4	COMPRESSION SPRING	
0455634	CF-240-1	REAR NOSE		0311266	RN-103-9	SOCKET HD CAP SCRW	
0400325	CM-103-8	SOCKET HEAD CAP SCREW		0262626	RN-105-2	LOCKNUT	
0435792	CN-103-9	FLAT HD SOCKET CAP SCRW		0158683	RN-110-2S	HANDLE PLUG	
0446898	CNB-103-10	SCREW		0236794	RN-111-3	BULK HEAD CYLINDER	
0538470	DCF-114-2	BUSHING		0318501	RN-120-1	CAP (MACHINED)	
0196303	DS-102-4	SPRING		0262766	RN-120-2	POPPET	
0062315	DS-219-3	VALVE BUSHING		0262774	RN-120-3	POPPET SEAL	
0174300	DS-119-4	VALVE STEM		0236224	RN-120-4S	EXHAUST SEAL	
0410720	GO-104-1	E-RING		0262782	RN-120-5	MUFFLER COVER	
0410753	GO-105-2	NUT		0100560	RN-219-1	VALVE HOUSING	
0444711	HN-101-1	ROLL PIN		0068460	RN-220-1	GASKET	
0413922	ISN-105-2	ELASTIC STOP NUT		0157941	RN-301-1	PIVOT PIN, TRIGGER	
0417295	KN-103-14	SCREW		0158048	RN-312-1	TRIGGER HOUSING, MOLDED	
0417311	KN-103-16	SCREW		0158386	RN-312-3	VALVE RETAINER	
0419283	KW-430-5	SPRING RETAINER		1011870	RN-410-P1	PARTIAL HANDLE ASM.	
0419333	KW-431-2	TRACK SPACER		1013411	RNS-100-1	> CYLINDER RING	RN-111-2
0432740	KWR-103-2	SCREW		0140186	RNS-110-5	BUMPER	
0067041	KWR-110-2M	SEAL DISC (MOLDED)		0139931	RNS-111-1	CYLINDER	
0435727	KWR-230-4	BASE STOP		0153874	RNS-114-1	> NOSE PLATE	RCF-114-1
0454165	LFN-130-13	WEAR PLATE		0140285	RNS-219-2	VALVE PIN	
0206177	MN-103-2	SCREW		0178327	RNS-310-2	GRIP	
0017335	MN-103-6	SCREW		0443200	RS-102-3	SPRING, WORK CONTACT ELE.	
0452755	MS-101-12	SHEAR-PROOF PIN		0453720	RS-103-4	SCREW	
0419739	MS-105-1	NUT		0453738	RS-103-5	SCREW	
0408096	MS-702-2	SPRING		0443572	RS-106-2	SHOULDER SPACER	
0408302	MS-706-2	WASHER		0443820	RS-106-4	SPACER	
0195552	OR-004-70L	O-RING		0450858	RS-201-1	PIN, YOKE SPRING	
0196352	OR-005-70L	O-RING		0450866	RS-202-1	SPRING, LATCH	
0197186	OR-008-70L	O-RING		0450874	RS-203-1	SCREW	
0305821	OR-009-70L	O-RING		0450882	RS-203-2	T-HEAD SCREW	
0390237	OR-010-85N	O-RING		0450890	RS-203-3	T-HEAD SCREW	
0390781	OR-011-90N	O-RING		0450916	RS-206-1	SHOULDER SPACER, YOKE	
0197913	OR-012-70L	O-RING		0450932	RS-236	COVER	
0414342	OR-014-70N	O-RING		0450957	RS-242	LATCH	
0189209	OR-016-70P	O-RING		0517706	XH-102-6	SPRING	
0392662	OR-020-70N	O-RING		0388009	XH-106-1	WASHER	
0442590	OR-026-80N	O-RING		0466797	XH-108-11	WARNING LABEL	
0402289	OR-031-70N	O-RING		0483479	XH-108-18	WARNING LABEL	
0221317	OR-121-70L	O-RING		0353847	XH-108-31	CYCLE LABEL	
0283754	OR-128-60N	O-RING		0024976	XH-108-45	MADE IN AMERICA LABEL	
0202291	OR-131-70L	O-RING		0456350	XO-1044-5	SPRING	
0397711	OR-132-70N	O-RING		0441212	XO-1055-5	BUSHING	
0202382	OR-139-70L	O-RING					

* = NEW PART > = PART CHANGE