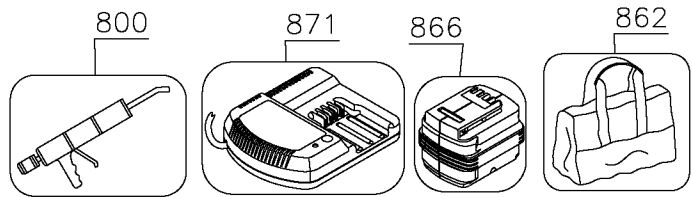
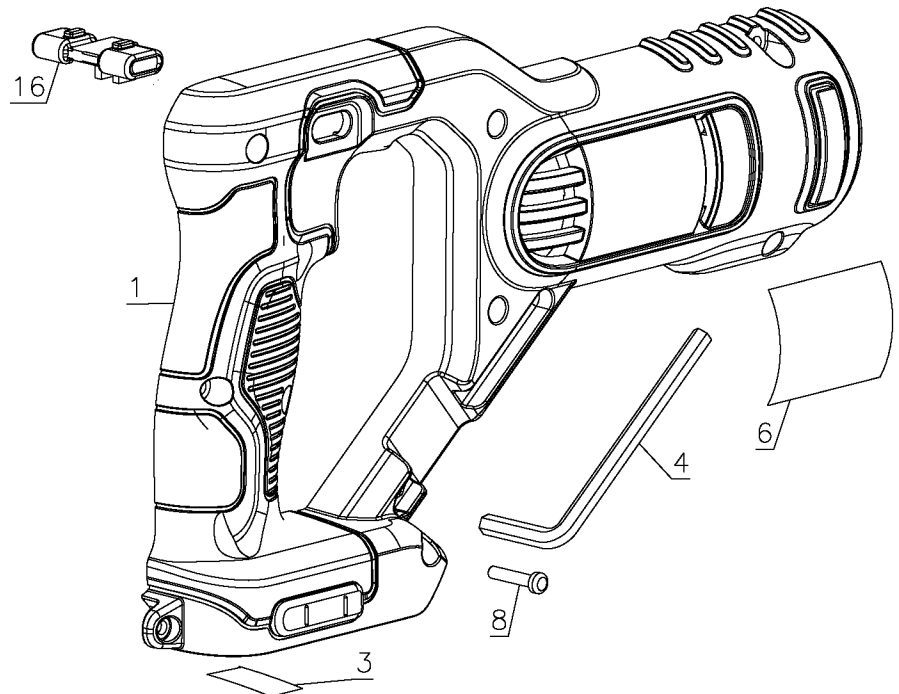
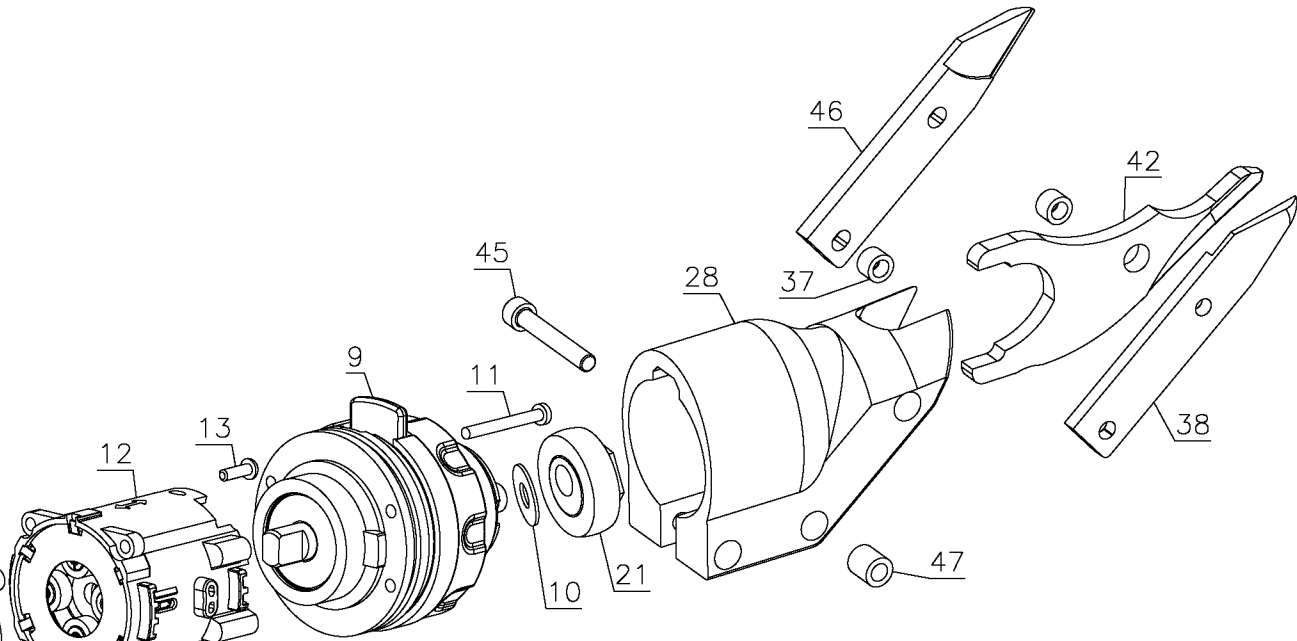
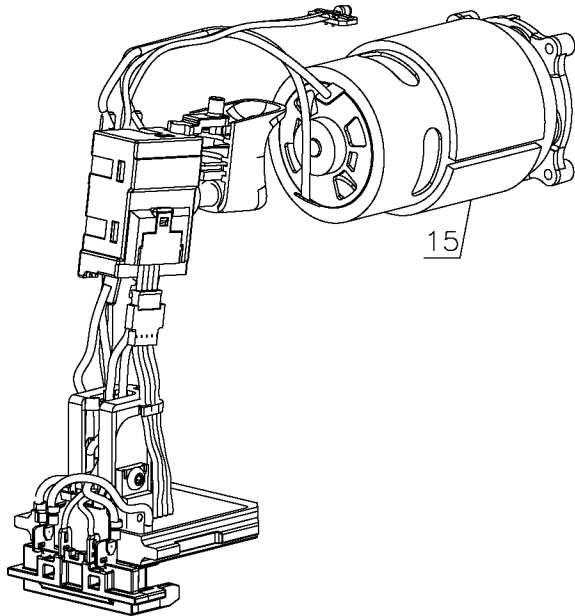


DATE
CODE



Parts List for DCS491B Type 1

Item Number	Part Number	Description	Qty Required
1	N441906	HOUSING ASSEMBLY	1
3	N468464	LABEL WARNING FR/SP	1
4	099056-06	WRENCH	1
6	N461165	RATING LABEL	1
7	N472464	ID LABEL	1
8	330019-00	SCREW,PLASTITE	9
9	N479905	BEARING HOUSING	1
10	091975-00	WASHER	1
11	330019-39	SCREW	4
12	N479906	TRANSMISSION	1
13	098091-10	SCREW	4
15	N488426	MOTOR & SWITCH ASSY.	1
16	N427394	LOCK OFF BUTTON	1
21	448393-00	ECCENTRIC	1
28	91971-00	HOUSING	1
37	91968-00	SPACER	2
38	91967-00	RIGHT KNIFE	1
42	91970-00	BLADE	1
45	5140037-06	CAP SCREW	3
46	91969-00	LEFT KNIFE	1
47	5140037-07	INSERT	3
800	583534-00	GREASE	1
862	629053-00	TOOL BAG	1
866	DCB204	BATTERY PACK	2
871	DCB115	CHARGER	1