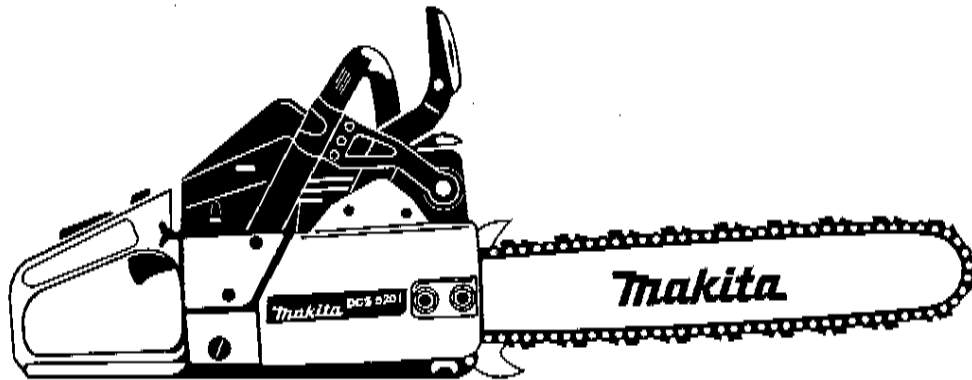




18" GASOLINE CHAIN SAW

MODEL DCS520i



CONTENTS:

- 1) Cylinder, Piston, Crankshaft, Crankcase with Oil Tank**
- 2) Fuel Tank with Grip, Tubular Grip, Rubber Buffer, Muffler**
- 3) Ignition Electronics, Flywheel, Starter**
- 4) Oil Pump, Clutch, Chain Brake**
- 5) Hood, Air Filter, Intake System Pieces**
- 6) Carburetor Parts**
- 7) Accessories**

1) Cylinder, Piston, Crankshaft, Crankcase with Oil Tank

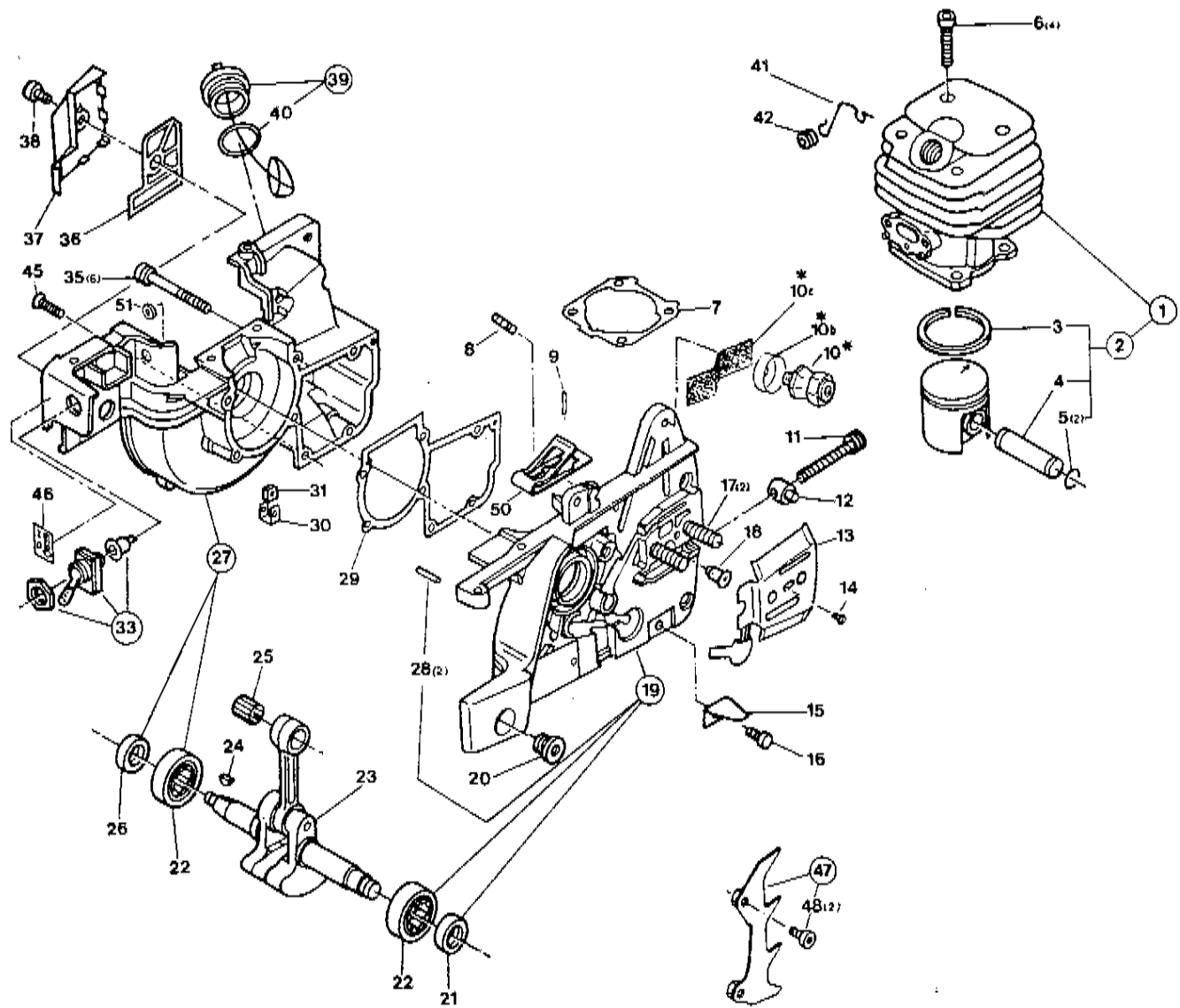


Fig.	Part No.	Qty. Used	Description	List	Fig.	Part No.	Qty. Used	Description	List
1	026-130-000	1	CYLINDER & PISTON ASSY	135.16	23	020-120-010	1	CRANKSHAFT	112.52
2	020-132-111	1	PISTON ASSY	60.27	24	939-620-371	1	KEY	0.41
3	020-132-140	1	PISTON RING	11.41	25	962-211-030	1	NEEDLE CAGE	5.24
4	020-132-030	1	PISTON PIN	7.00	26	962-900-050	1	RADIAL DIAL	2.60
5	020-132-050	2	SPRING RING	0.73	27	020-111-640	1	CRANKCASE ASSY	59.00
6	908-005-205	4	SCREW M5X20	1.04	28	936-430-160	2	SPIRAL CLAMPING PIN	0.20
7	965-525-041	1	GASKET	1.04	29	965-525-001	1	GASKET	1.52
8	027-213-230	1	BOLT	1.04	30	020-111-070	2	CRAMP	1.04
9	934-930-100	1	CLAMPING SLEEVE	0.20	31	923-305-000	2	SQUARE NUT M5	0.20
10	965-403-430	1	RUBBER BUFFER	5.18	33	957-605-112	1	SHORT-CIRCUIT SWITCH	6.44
10b	965-551-250	1	POT	1.52	35	908-005-305	6	SCREW	1.04
10c	108-213-180	1	SAFETY-CATCH WIRE	1.04	36	020-173-011	1	PREFILTER	2.09
11	389-213-080	1	TENSION SCREW	1.04	37	020-173-610	1	PREFILTER COVER	2.00
12	001-213-020	1	NUT WITH PIVOT	2.09	38	908-305-145	1	SCREW M5X14	1.04
13	020-111-172	1	GUIDE PLATE	2.09	39	965-451-900	1	FUEL TANK PLUG	4.24
14	915-135-100	1	SCREW	0.20	40	963-100-050	1	GASKET	0.20
15	020-111-082	1	CHAIN CATCH	1.00	41	001-142-012	1	CRAMP	1.04
16	908-005-125	1	SCREW M5X12	1.04	42	965-401-011	1	RUBBER BUSH	0.73
17	905-808-305	2	GUDGEON 8X30	1.04	45	908-105-204	1	SCREW M5X20	1.04
18	965-404-260	1	VENT VALVE	3.27	46	980-113-841	1	LABEL	0.51
19	027-111-620	1	CRANKCASE ASSY (CL), (INCL FIG.8,9,21,22,28)	59.00	47	020-250-020	1	SPIKE BAR-OUTSIDE	6.41
20	001-111-011	3	SPECIAL SCREW	1.04	48	908-005-085	2	SCREW M5X8	1.04
21	962-900-052	1	RADIAL RING	4.30	50	027-213-320	1	LEAF SPRING	2.09
22	960-622-150	2	ROLLER BEARING 15/25	10.35	51	965-401-011	1	RUBBER BUSH	0.73



NO. MAHOB- 168-94

TECHNICAL INFORMATION BULLETIN

DATE 10/12/94

Page 2 of 2

RE: MANY MODELS, BEARING CHANGE	ITEM MASTER 407-94	MA-ASC- 104-94	REFERENCE NO. 30-11-1993 OMAHO-96191
---	-----------------------	-------------------	--

NEW PARTS LIST PRICE

Part #027-120-010	Crank Shaft	\$118.00
Part #027-111-630	Crank Case Ass'y	58.00
Part #027-111-680	Crank Case Ass'y	59.00
Part #960-102-129	Ball Bearing	8.00



TECHNICAL INFORMATION BULLETIN

DATE 10/12/94

Page 1 of 2

RE:	MANY MODELS, BEARING CHANGE	ITEM MASTER 407-94	MA-ASC- 104-94	REFERENCE NO. 30-11-1993 OMAHO-96191
-----	------------------------------------	-----------------------	-------------------	--

SERVICE CHANGE

Change on Roller Bearing to Ball Bearing on DCS430 from S/N 34,401; DCS520i from S/N 34,701; DCS5200i from S/N 31,601. New grooved Ball Bearings have a larger diameter.

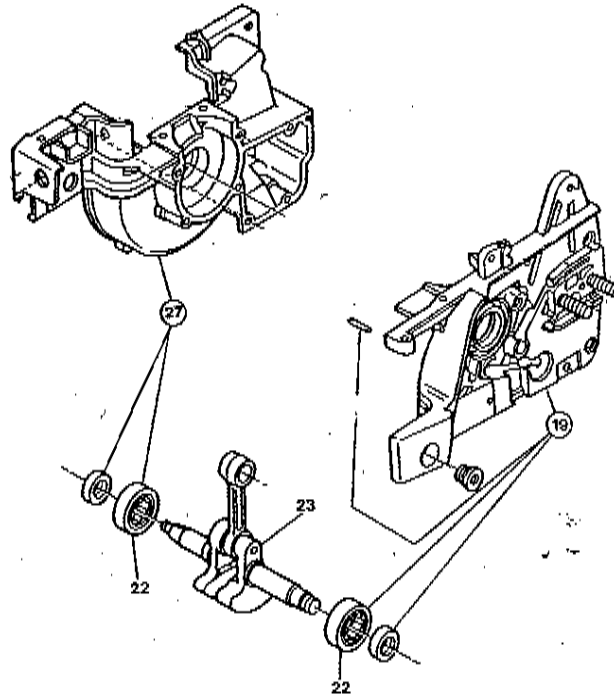


FIG.	DESCRIPTION	TYPE 1	TYPE 2
19	Crank Case (Incl. Fig. 22)	Part #027-111-620 (with roller bearing Part #960-622-150)	Part #027-111-680 (with ball bearing Part #960-102-159)
22	Bearing	Part #960-622-150 Roller Bearing	Part #960-102-129 Ball Bearing (use with Fig. 27)
			Part #960-102-159 Ball Bearing (Included in Fig. 19**)
23	Crank Shaft	Part #020-120-010	Part #027-120-010
27	Crank Case	Part #020-111-640 (with Fig. 22 bearing Part #960-622-150)	Part #027-111-630 (without bearing)

The above parts are completely interchangeable as a set.

** Heat the housing to approx. 176° F (80° C) and cement the bearing into the housing using Locite.

2) Fuel Tank with Grip, Tubular Grip, Rubber Buffer, Muffler

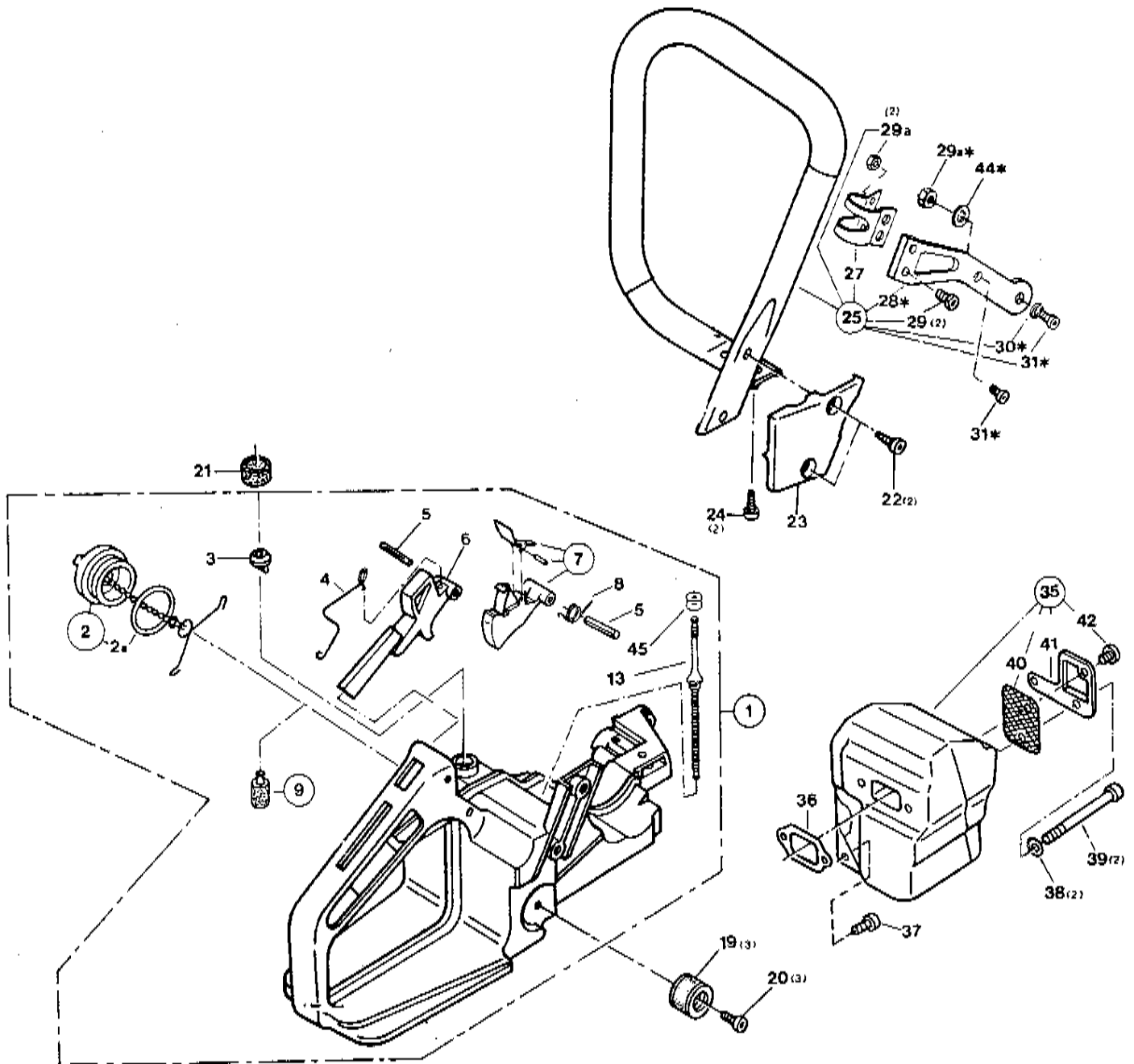


Fig.	Part No.	Qty. Used	Description	List	Fig.	Part No.	Qty. Used	Description	List
1	020-114-640	1	TANK ASSY	52.82	25	020-310-251	1	TUBULAR HANDLE ASSY	30.59
2	965-450-301	1	TANK PLUG ASSY.	4.24	27	020-310-130	1	CLAMP	2.76
2a	963-232-045	1	PACKING RING	1.04	28	957-310-142	1	BRACKET CPL.(INCL. FIG. 10, PAGE 2)	6.90
3	965-404-220	1	VENT VALVE	2.76	28	957-310-142	1	BRACKET CPL.(INCL. FIG. 10, PAGE 2)	6.90
4	020-117-160	1	BEND SPRING	2.09	29	908-005-125	2	SCREW M5X12	1.04
5	935-932-320	2	CYLINDRICAL PIN	1.04	29a	920-205-000	3	HEXAGONAL NUT M5	0.20
6	020-117-172	1	CATCH LEVER	2.09	30	926-105-001	1	SPRING RING 5	0.20
7	020-117-290	1	THROTTLE LEVER CPL	8.59	31	908-005-085	2	SCREW M5X8	1.04
8	020-117-273	1	SPRING	0.51	35	020-174-203	1	MUFFLER ASSY	32.20
9	963-601-260	1	SUCTION HEAD	2.76	36	965-522-031	1	GASKET	1.04
13	965-404-460	1	FUEL LINE	3.53	37	991-105-107	1	SCREW M5X10	0.51
19	965-403-280	3	RUBBER BUFFER	5.12	38	928-405-000	2	SPRING WASHER	0.51
20	913-447-134	3	TAP SCREW	1.04	39	905-105-625	2	SCREW M5X62	1.04
21	965-404-311	1	GASKET	0.51	40	020-174-110	1	SCREEN	2.09
22	913-455-164	2	SELF-CUTTING SCREW	1.04	41	020-174-121	1	DEFLECTOR PLATE	3.61
23	020-310-600	1	COVER	2.00	42	915-042-130	1	SCREW	0.20
24	913-455-134	2	SELF-CUTTING SCREW	1.04	44	924-805-310	1	DISK	0.51
					45	965-404-520	1	GASKET	1.04

3) Ignition Electronics, Flywheel, Starter

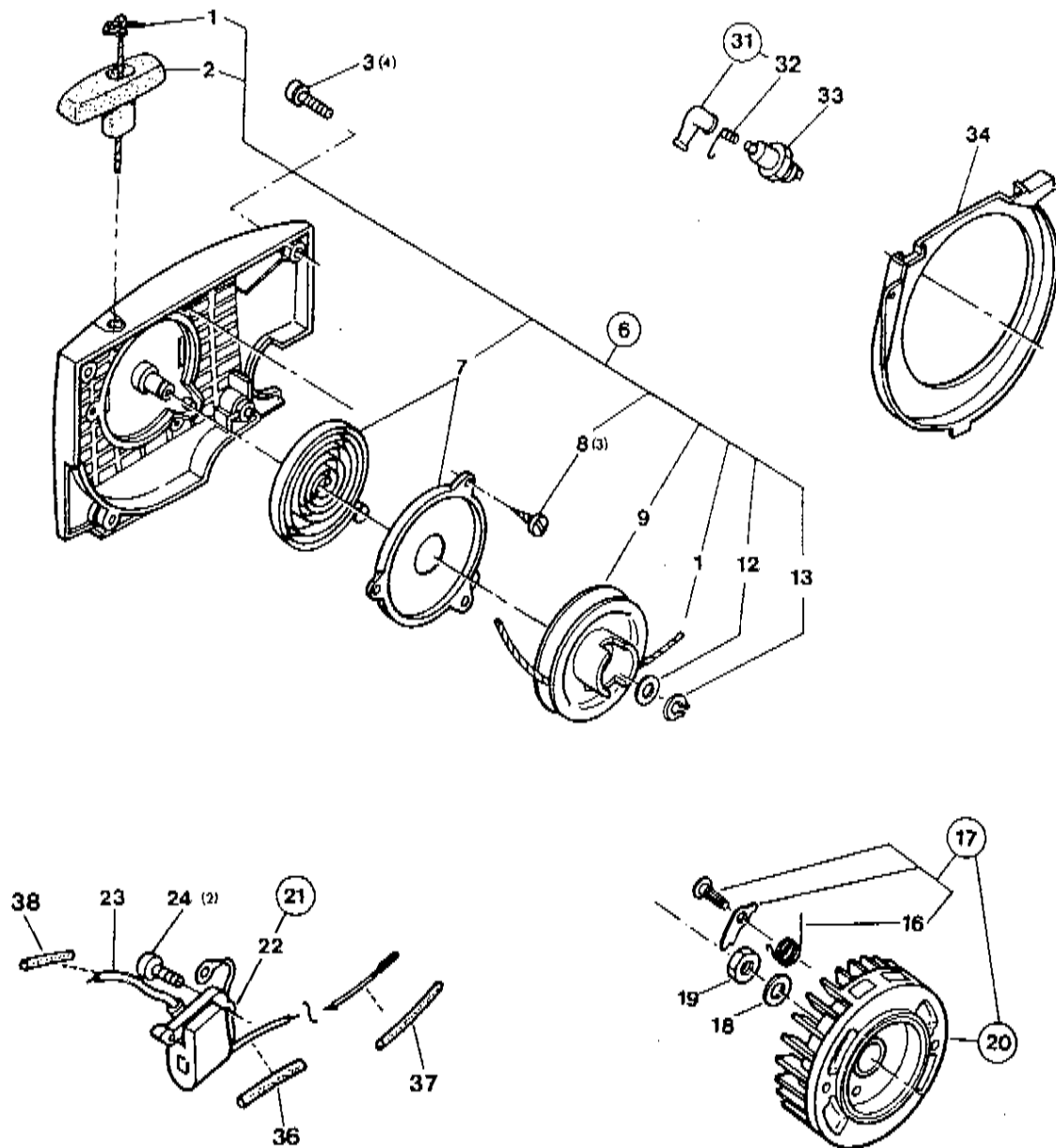
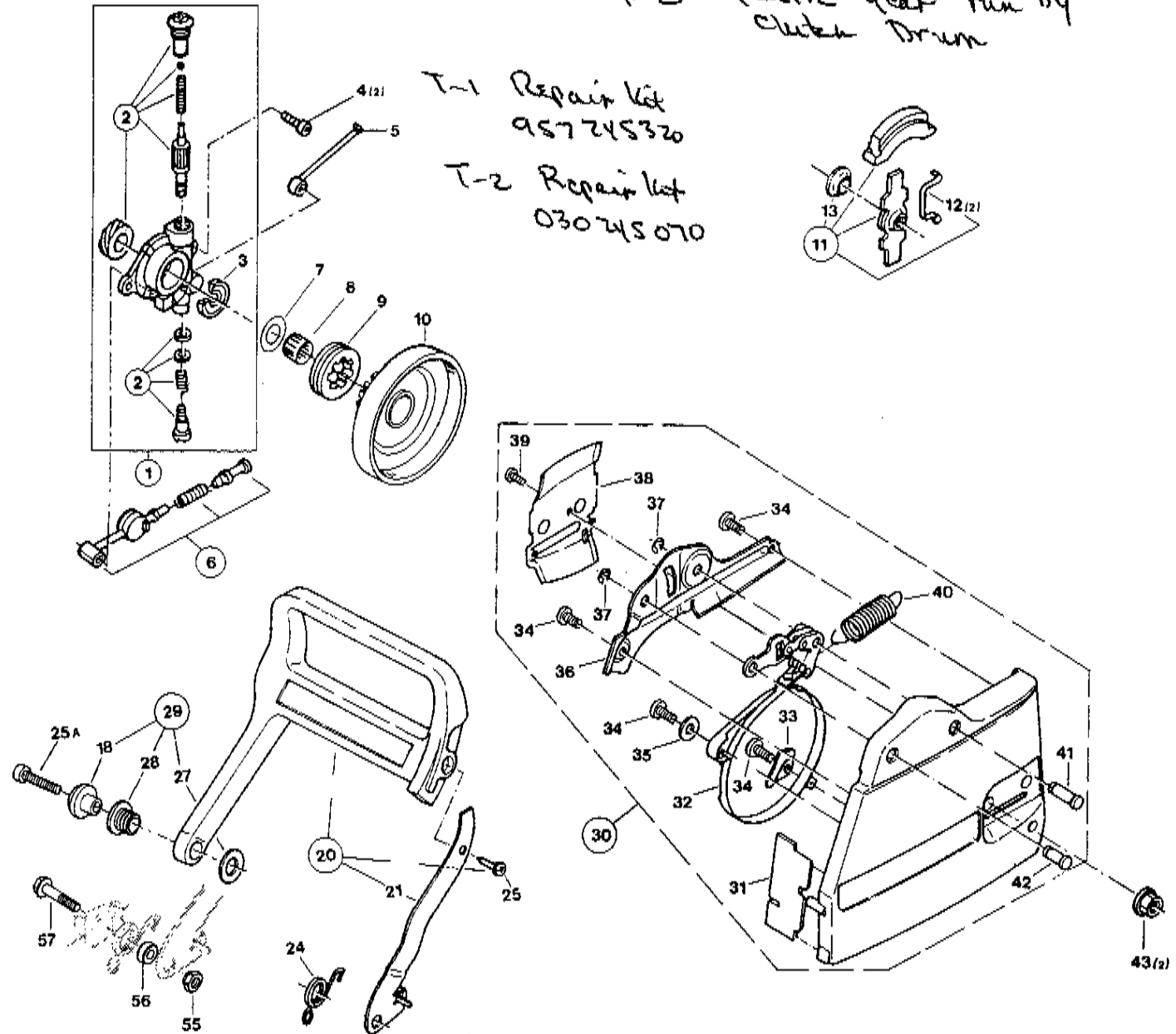


Fig.	Part No.	Qty. Used	Description	List	Fig.	Part No.	Qty. Used	Description	List
1	108-164-020	1	STARTER ROPE (980MM)	3.00	19	920-308-024	1	HEXAGONAL NUT	0.30
2	965-404-031	1	STARTER GRIP	3.00	20	027-141-020	1	FLYWHEEL ASSY	58.08
3	908-005-165	4	SCREW M5X16	1.04	21	027-140-000	1	IGNITION ASSY	76.31
4	020-112-620	1	FAN HOUSING	13.00	22	020-143-030	1	IGNITION COIL W. ELEC.	53.90
6	026-160-620	1	STARTER ASSY	41.13	23	970-310-200	1	IGNITION CABLE (180MM)	2.00
7	020-163-030	1	REWIND SPRING	5.18	24	908-305-205	2	SCREW M5X20	1.04
8	915-135-100	3	SCREW	0.20	31	957-604-260	1	PLUG CAP ASSY	2.76
9	027-162-033	1	CABLE DRUM	8.53	32	965-604-180	1	SPRING	0.
12	924-108-400	1	DISK	0.60	33	965-603-014	1	SPARK PLUG	2.
13	929-108-080	1	SAFETY DISK	0.20	34	020-112-010	1	AIR DUCT	2.76
16	027-166-071	2	SPRING	0.51	36	970-502-050	1	INSULATING HOSE (1X100MM)	0.80
17	108-166-051	1	STARTER RATCHET ASSY	5.22	37	970-502-050	1	INSULATING HOSE (1X155MM)	0.80
18	928-308-001	1	SPRING WASHER	0.20	38	970-502-110	1	INSULATING HOSE (1X55)	2.76

T-1 oil pump Press on internal gear

4) Oil Pump, Clutch, Chain Brake

T-2 plastic gear run by clutch Drum



T-1 Repair Kit
957245320

T-2 Repair Kit
03045070

Fig.	Part No.	Qty. Used	Description	List	Fig.	Part No.	Qty. Used	Description	List
1	027-245-110	1	OIL PUMP ASSY	28.26	28	027-213-150	1	RUBBER BUSH	1.52
2	957-245-320	1	REPAIR KIT T-1	14.92	29	027-213-430	1	BUSHING SET	6.78
3	962-900-038	1	RADIAL RING 15/23X3	3.53	30	027-213-620	1	SPROCKET GUARD ASSY	47.00
4	908-005-125	2	SCREW (T)M5X12	1.04	31	027-213-280	1	PROTECTION COVER	1.04
5	020-245-020	1	PRESSURE LINE	2.60	32	027-213-050	1	BRAKE SPRING W/LEVER	14.92
6	020-245-040	1	SUCTION LINE HOSE	3.94	33	027-213-350	1	BRAKE BAND HOLDER	0.73
7	020-224-120	1	STOP DISK	1.04	34	904-505-122	4	TAPPING SCREW M5X12	0.30
8	962-210-025	1	NEEDLE CAGE	4.71	35	924-500-049	1	WASHER	0.51
9	026-224-010	1	RIM SPROCKET 3/8",T=7	7.25	36	027-213-111	1	COVER PLATE	2.60
10	020-223-101	1	CLUTCH DRUM	17.00	37	927-304-000	2	SAFETY DISK 4	0.20
11	020-180-000	1	CLUTCH ASSY	18.29	38	027-111-040	1	GUIDE PLATE	2.08
12	112-184-111	2	LEAF SPRING(CLUTCH)	1.04	39	915-135-100	1	SCREW	0.20
13	020-182-061	1	SPECIAL SPACER	1.75	40	027-213-120	1	SPRING	1.04
18	027-213-161	1	BUSH	2.09	41	027-213-130	1	SHAFT	1.03
20	020-213-453	1	HAND GUARD ASSY	11.96	42	027-213-140	1	SHAFT	1.03
21	027-213-221	1	DISENGAGING LEVER	4.10	43	923-208-003	2	HEXAGONAL NUT M8	0.51
24	027-213-270	1	SPRING	1.04	55	027-213-500	1	SHOULDER NUT	2.09
25	915-505-164	1	SELF-CUTTING SCREW	0.20	56	027-213-510	1	RING	1.52
25a	908-005-205	1	SCREW M5X20	1.04	57	027-213-520	1	HEX.HEAD SCREW 5X20	1.04
27	900-004-354	1	DISK	0.51					



540

NO. MAHOB- 23-95

TECHNICAL INFORMATION BULLETIN

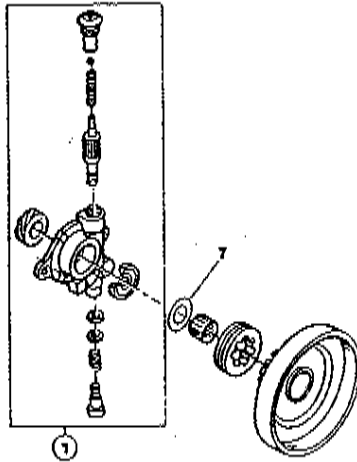
DATE 3-9-95

RE: DCS430, DCS520i, DCS5200i OIL PUMP	ITEM MASTER 85-95	MA-ASC- 15-95	MJ REFERENCE NO. 07-94
---	----------------------	------------------	---------------------------

SERVICE CHANGE

Change on oil pump.

TYPE 1



TYPE 2

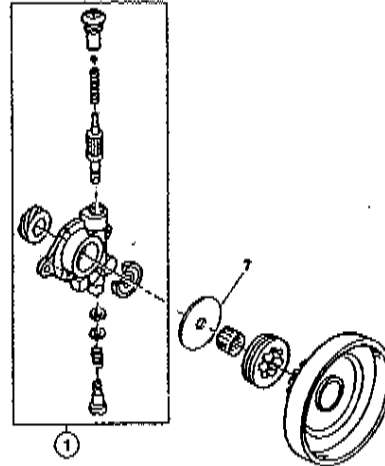


FIG.	DESCRIPTION	TYPE 1	TYPE 2
1	Oil Pump	Part #027-245-110 (Discontinued)	Part #027-245-111 Include Stopping Disc Part #001-245-350
7	Stopping Disk	Part #020-224-120	_____

The above parts are completely interchangeable as a set.

NEW PARTS LIST

Part #001-245-350	Stopping Disk	\$ 2.00
Part #027-245-111	Oil Pump	\$34.00

Please check your stock type 2 parts may be mixed in type 1 parts bin, then add above to your next order.

5) Hood, Air Filter, Intake System Pieces

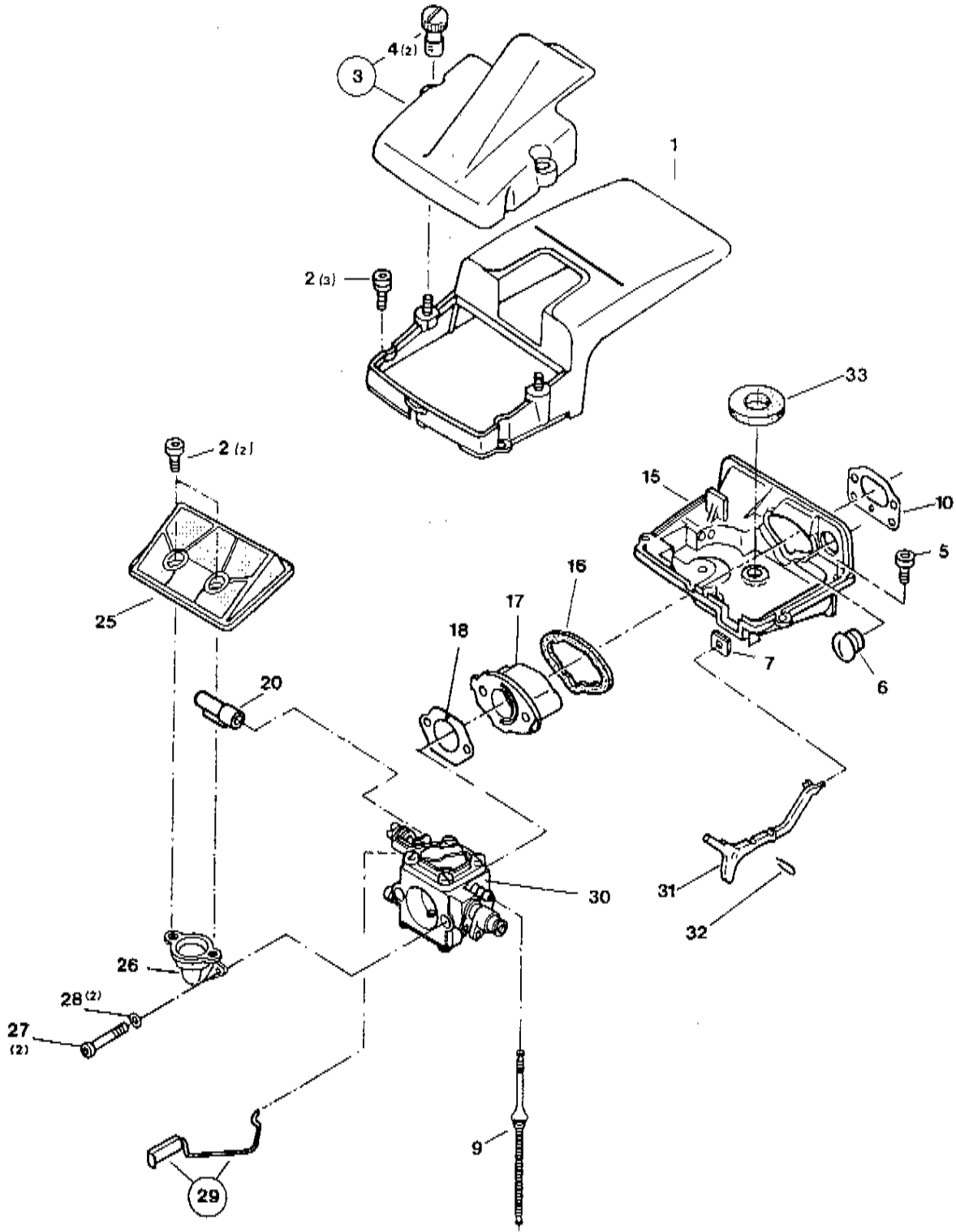


Fig.	Part No.	Qty. Used	Description	List	Fig.	Part No.	Qty. Used	Description	List
1	027-118-182	1	HOOD CPL (BLACK), WITH FIG.29 PAGE 5	22.05	17	020-131-041	1	INTERMEDIATE FLANGE	2.40
2	908-305-145	2	SCREW M5X14	1.04	18	965-524-021	1	GASKET	1.56
2a	908-005-165	3	SCREW M5X16	1.04	20	020-118-030	1	GUIDE PIECE	1.04
3	020-118-121	1	FILTER COVER (BLACK)	7.86	25	020-173-300	1	AIR FILTER CPL.	12.08
4	001-118-062	2	NUT	2.09	26	020-171-100	1	CONNECTING MUFF	2.54
5	908-005-085	1	SCREW M5X8	1.04	27	905-105-658	2	SCREW M5X65	1.04
6	965-404-230	1	PLUG(CARB. HEATING)	0.51	28	924-105-300	2	WASHER 5.3	0.20
7	965-404-410	1	RUBBER BUSH	1.04	29	020-117-280	1	THROTTLE LINKAGE CPL.	3.90
9	965-404-460	1	FUEL LINE	3.53	30	027-009-010	1	CARBURETOR CPL.	48.72
10	965-525-031	1	GASKET	0.73	31	027-150-880	1	CHOKE LEVER	2.09
15	027-118-053	1	BOTTOM	8.04	32	027-150-900	1	CRAMP	0.51
16	965-404-341	1	GASKET	1.04	33	030-404-460	1	GASKET	1.04



NO. MAHOB- 39-95

TECHNICAL INFORMATION BULLETIN

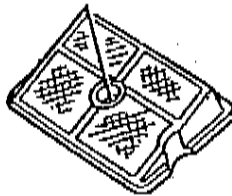
DATE 3-24-95

RE: DCS430, DCS520i, DCS5200i	Snow Filter	ITEM MASTER 105-95	MA-ASC- 25-95	REFERENCE NO. 8/94
----------------------------------	-------------	-----------------------	------------------	-----------------------

SERVICE CHANGE

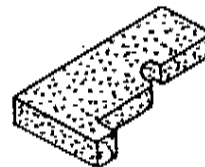
Change on snow filter.

TYPE 1



Part #020-173-150
Snow Filter
(Discontinued)

TYPE 2



Part #957-112-160
Snow Filter

NEW PARTS LIST PRICE

Part #957-112-160 Snow Filter \$4.00

Please check your stock Type 2 parts may be mixed in Type 1 parts bin; then add new parts on your next order.



NO. MAHOB-17-95

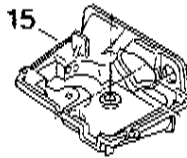
TECHNICAL INFORMATION BULLETIN

DATE 3-6-95

RE: MANY MODELS, PART NUMBER CHANGE	ITEM MASTER 75-95	MA-ASC- 10-95	REFERENCE NO. 96196(C081088)
---	----------------------	------------------	---------------------------------

PART NUMBER CHANGE

- 1) Bottom DCS430, DCS520i



P.6-FIG.15 PART# 027-118-053 -----> PART# 027-118-054

- 2) Fillister Screw DCS430, DCS520i



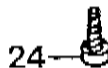
P.2-FIG.48 PART# 908-005-085 -----> PART# 908-005-095

- 3) Fillister Screw DCS430, DCS520i, DCS5200i, DCS9000



P.6-FIG.2 PART# 908-305-145 -----> PART# 908-605-145

- 4) Fillister Screw DCS430, DCS520i



P.3-FIG.24 PART# 913-455-134 -----> PART# 913-455-164

- 5) Spring DCS430, DCS520i



P.4-FIG.16 PART# 027-166-071 -----> PART# 108-166-021

6) Carburetor Parts

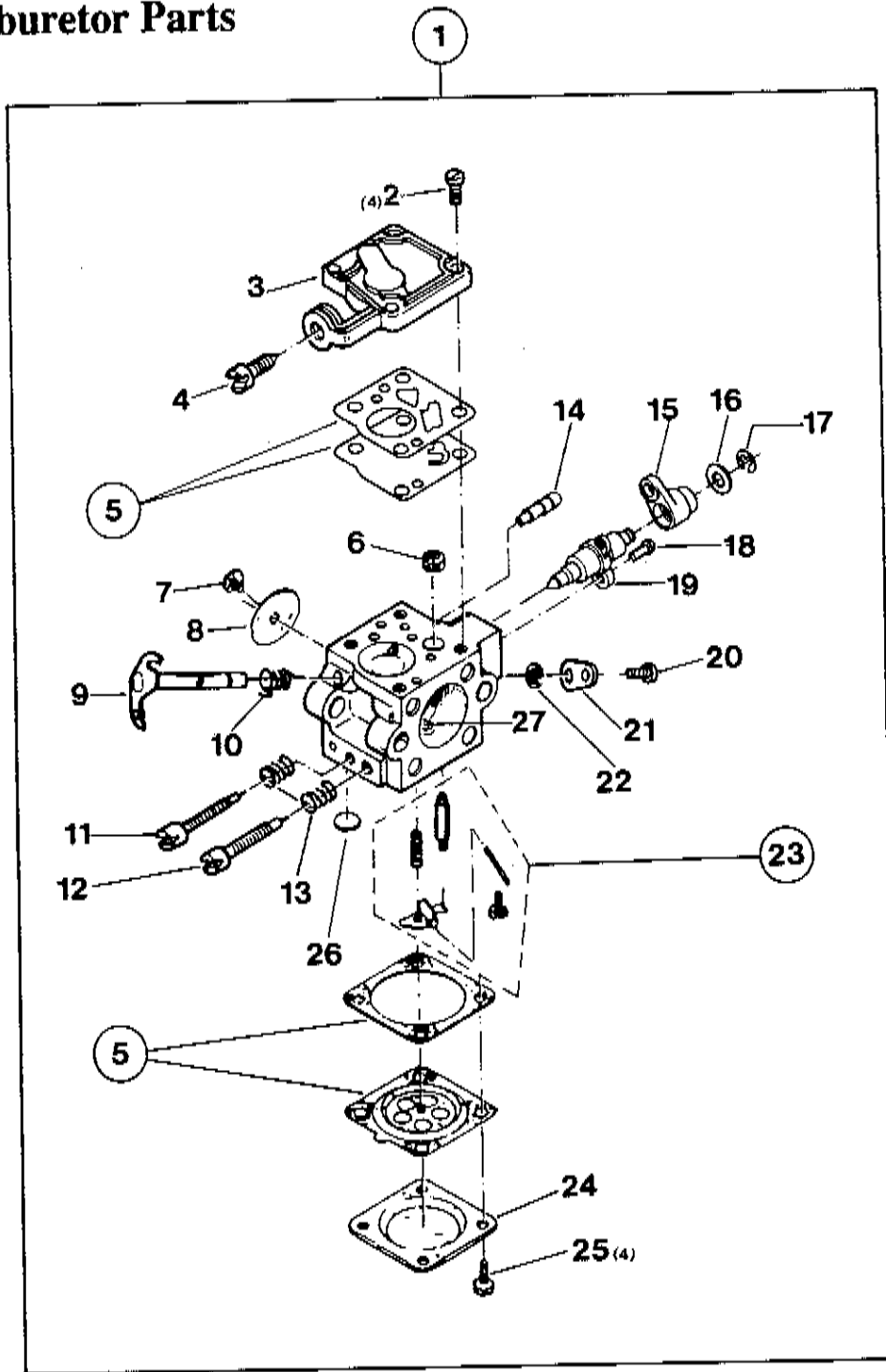


Fig.	Part No.	Qty. Used	Description	List	Fig.	Part No.	Qty. Used	Description	List
1	027-009-010	1	CARBURETOR CPL.	48.72	15	027-150-860	1	LEVER	2.09
2	020-150-170	4	FILLISTER HEAD SCREW	1.04	16	001-150-670	1	WASHER	0.73
3	020-150-160	1	PUMP COVER	2.76	17	119-150-350	1	SNAP RING	1.04
4	020-150-240	1	IDLE STOP SCREW (S)	2.76	18	113-150-220	1	SCREW	1.04
5	957-150-140	1	SET GASKETS	16.06	19	001-150-660	1	CHOKE NEEDLE	12.12
6	144-150-050	1	SCREEN	0.51	20	001-150-680	1	SCREW	1.04
7	001-150-650	1	SHUTTER SCREW	2.09	21	020-150-330	1	LEVER	1.04
8	001-150-321	1	THROTTLE SHUTTER	1.04	22	100-150-350	1	SAFETY WASHER	1.04
9	001-150-610	1	THROTTLE SHAFT LEVER	12.59	23	957-150-150	1	CONTROL PARTS CPL(SET)	10.64
10	020-150-310	1	SPRING	2.09	24	104-150-120	1	DIAPHRAGM COVER	1.62
11	020-150-470	1	IDLING ADJUSTMENT SCREW(L)	4.22	25	001-150-620	4	SCREW	1.04
12	020-150-520	1	MAIN ADJ. SCREW (H)	4.20	26	100-150-040	1	COVER DISK	1.04
13	001-150-480	2	SPRING-H	1.04	27	020-150-130	1	MAIN NOZZLE	11.17
14	020-150-051	1	CONECTING FITTING	6.62					



MA-ASC- 20-95

AUTHORIZED SERVICE CENTER BULLETIN

DATE 03-20-95

RE: DCS5200i Carburetor

MAHOB
30-95

SERVICE CHANGE

Change on Carburetor.

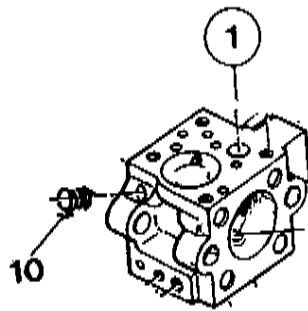


Fig.	Description	Type 1	Type 2
1	Carburetor	Part #027-009-010 (HU83C)	Part #027-150-003 (HU83D)
10	Torsion Spring	Part #020-150-310	Part #957-150-310 w/bush

The above parts are interchangeable as a set, exceptst Type 2 Torsion Spring replaces Type 1 Torsion Spring.

NEW PARTS LIST PRICE

Part #027-150-003	Carburetor Cpl., HU83D	\$ 68.00
Part #957-150-310	Torsion Spring	3.00

7) Accessories

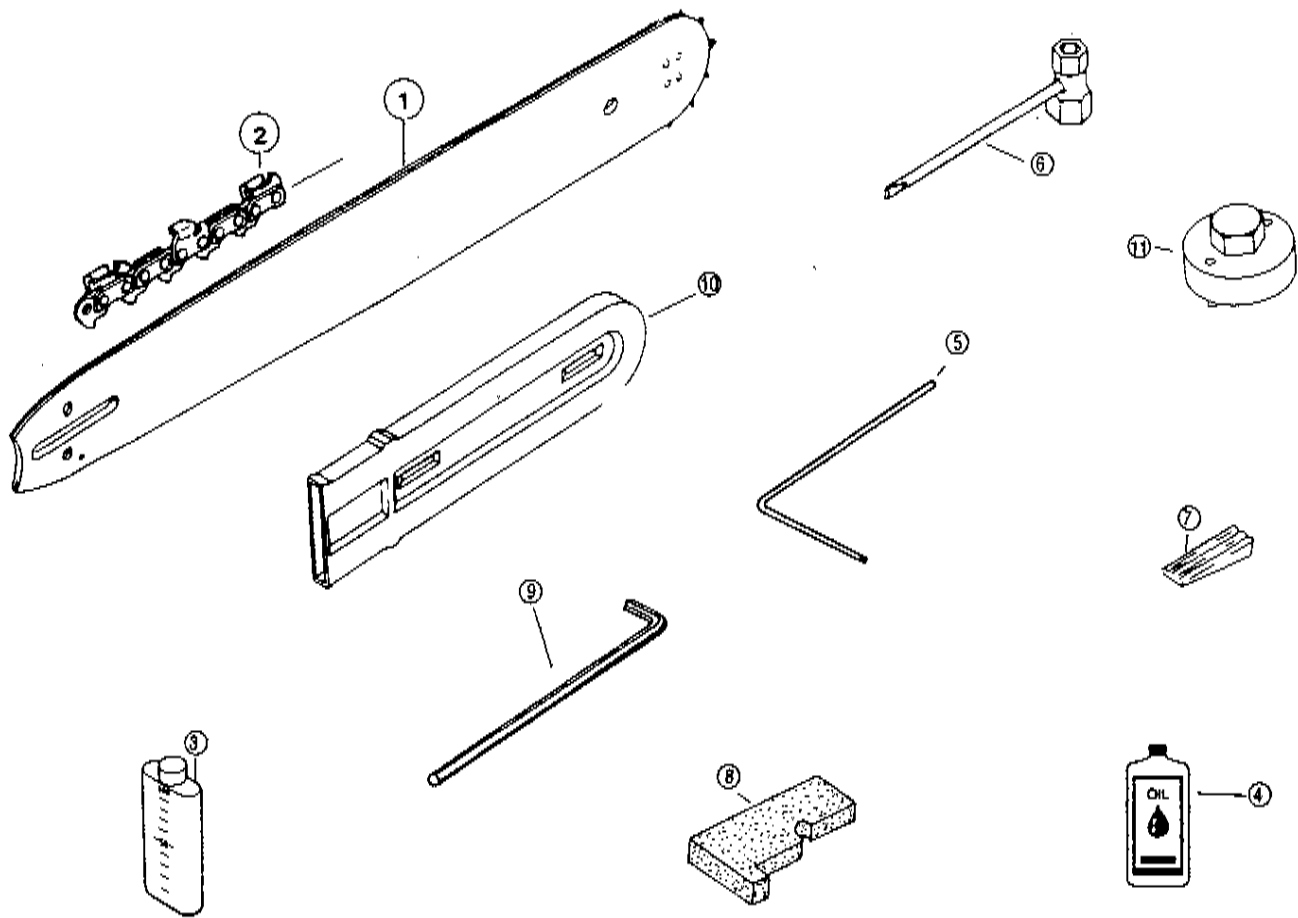


Fig.	Part No.	Qty. Used	Description	List	Fig.	Part No.	Qty. Used	Description	List
ACCESSORIES					6	941-719-131	1	UNIVERSAL WRENCH	6.00
1	443-045-661	1	18" GUIDE BAR, 3/8"	42.00	7	944-602-000	1	PISTON STOP WEDGE	3.00
2	523-102-064	1	18" SAW CHAIN, 3/8"	18.35	8	020-173-150	1	SNOW FILTER	10.00
3	181116-A	1	BAR OIL	4.50	9	940-804-000	1	HEX WRENCH 4MM	2.00
4	181115-A	1	FUEL MIXING OIL	1.00	10	952-100-332	1	CHAIN PROTECTION COVER	6.00
5	940-827-000	1	WRENCH TORX	3.00	11	944-500-690	1	SPECIAL SPANNER F. CLUTCH	18.85

B MODEL DCS520I

04-92