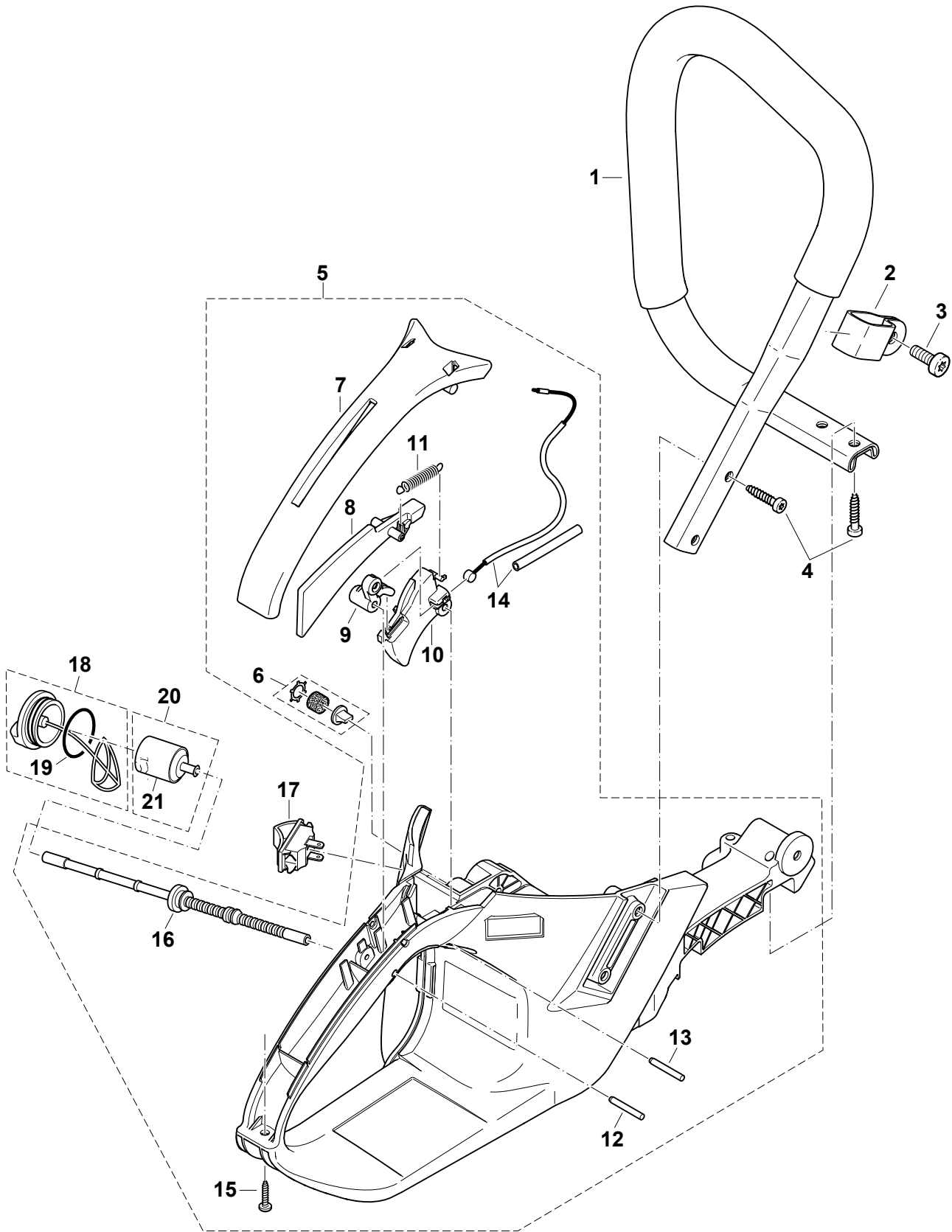


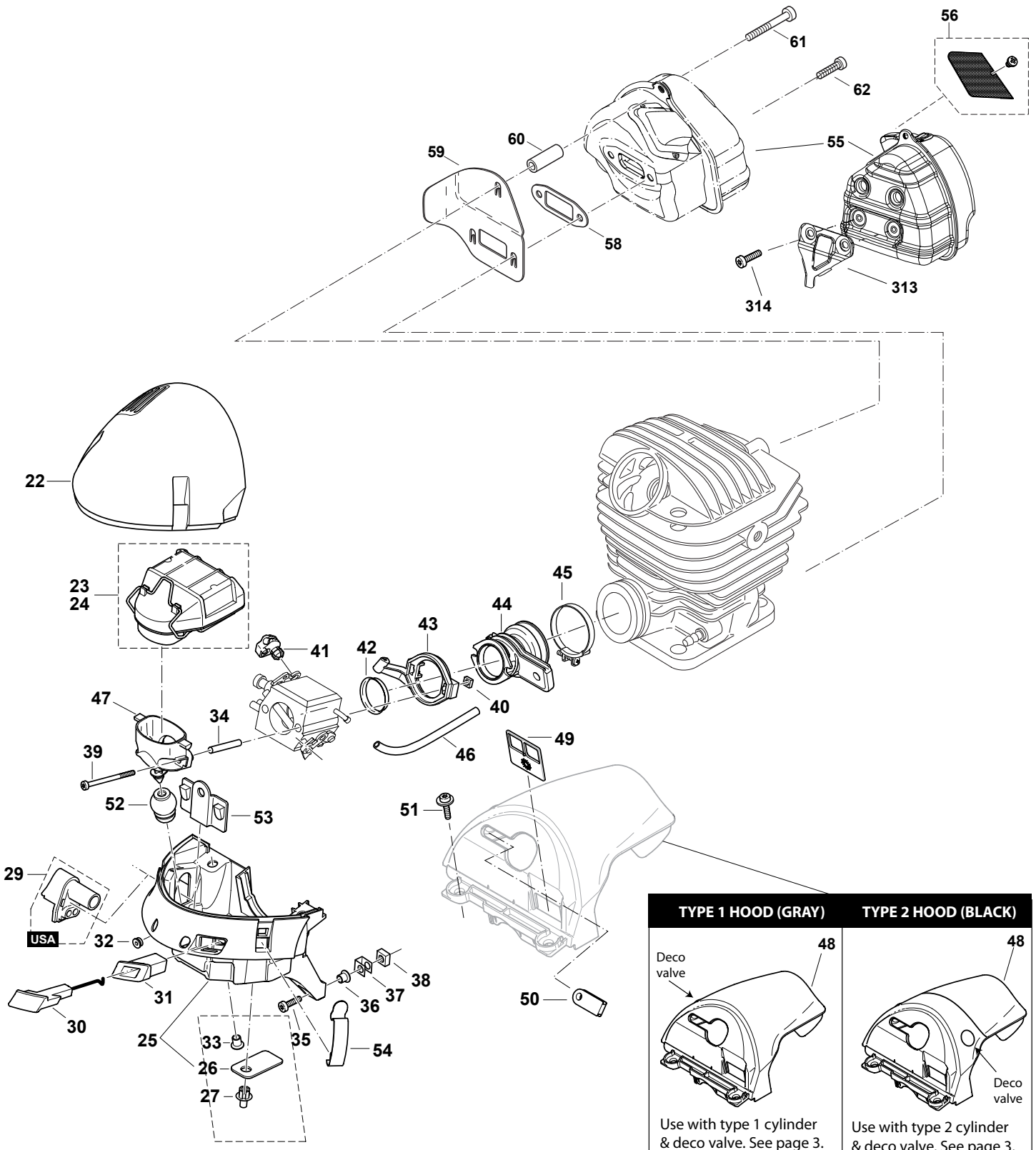


DCS642120



Products with multiple versions are listed in subsiding order with the newest version on top not indented.
Corresponding technical bulletins are attached.

| Section | Fig. No. | Part No. | Description | DCS642120 | Tech Bulletin | Notes |
|---------|----------|-------------|-------------------------------|-----------|---------------|-------|
| 1 | 1 | 038-310-021 | TUBULAR HANDLE ASSY | 1 | | |
| 1 | 1 | 038-310-020 | TUBULAR HANDLE ASSY | 1 | | |
| 1 | 2 | 038-310-062 | CLAMP, DCS6401 | 1 | | |
| 1 | 2 | 038-310-061 | CLAMP, DCS6401 | 1 | | |
| 1 | 3 | 908-006-145 | SCREW 6x14 | 1 | | |
| 1 | 4 | 913-455-204 | SCREW 5.5x20 | 4 | | |
| 1 | 5 | 038-114-700 | TANK CPL. BLUE, DCS6401 | 1 | | |
| 1 | 5 | 038-114-609 | TANK CPL. BLUE, DCS6401 | 1 | | |
| 1 | 6 | 957-114-061 | AIR VALVE CPL, DCS6401 | 1 | | |
| 1 | 7 | 038-114-631 | GRIP PLATE BLUE | 1 | | |
| 1 | 7 | 038-114-630 | GRIP PLATE, blue | 1 | | |
| 1 | 8 | 038-117-020 | CATCH LEVER | 1 | | |
| 1 | 9 | 038-117-030 | ROCKER | 1 | | |
| 1 | 10 | 038-117-010 | THROTTLE LEVER | 1 | | |
| 1 | 11 | 038-117-050 | SPRING | 1 | | |
| 1 | 12 | 935-930-240 | CYLINDRICAL PIN 3x24 | 1 | | |
| 1 | 13 | 935-930-280 | CYLINDRICAL PIN 3x28 | 1 | | |
| 1 | 14 | 038-117-041 | BOWDEN CABLE, DCS6421 | 1 | | |
| 1 | 14 | 010-117-040 | BOWDEN CABLE | 1 | | |
| 1 | 15 | 913-340-204 | SCREW 4x20 S27 | 1 | | |
| 1 | 16 | 038-114-052 | FUEL LINE, DCS6421 | 1 | | |
| 1 | 16 | 038-114-051 | FUEL LINE, DCS6401 | 1 | | |
| 1 | 17 | 975-001-241 | SHORT CIRCUIT SWITCH, DCS6401 | 1 | | |
| 1 | 18 | 010-114-050 | TANK CAP cpl. | 1 | | |
| 1 | 19 | 963-228-030 | PACKING RING 28x3 | 1 | | |
| 1 | 20 | 010-114-010 | SUCTION HEAD | 1 | | |
| 1 | 20 | 963-601-122 | SUCTION HEAD CPL., DPC7321 | 1 | | |
| 1 | 21 | 963-601-240 | FELT for SUCTION HEAD | 1 | | |



| TYPE 1 HOOD (GRAY) | TYPE 2 HOOD (BLACK) |
|--|--|
| <p>Deco valve 48</p> | <p>Deco valve 48</p> |
| Use with type 1 cylinder & deco valve. See page 3. | Use with type 2 cylinder & deco valve. See page 3. |

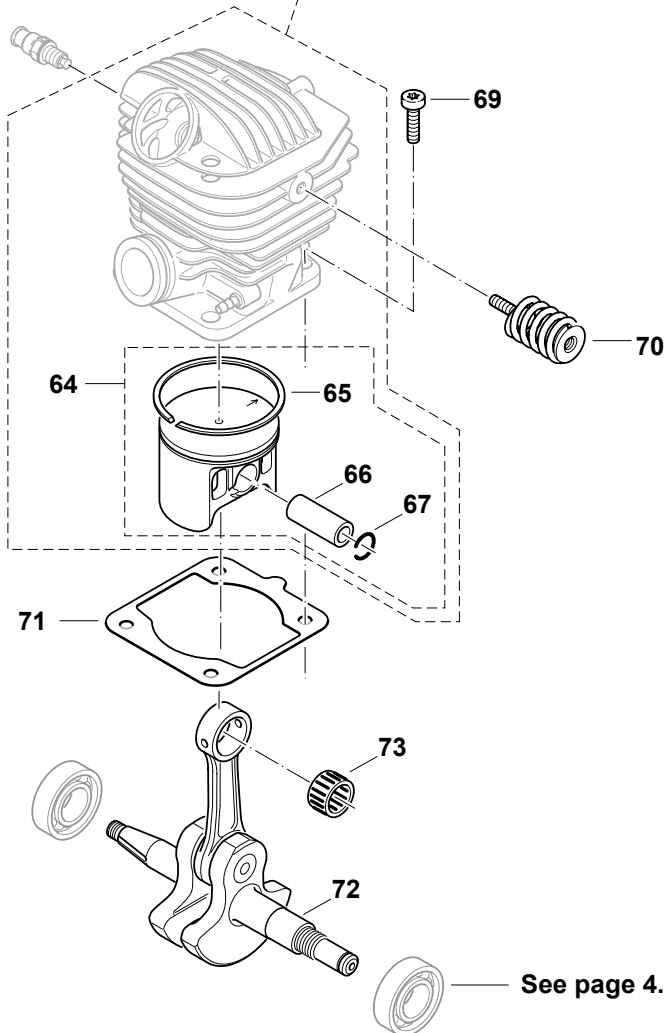
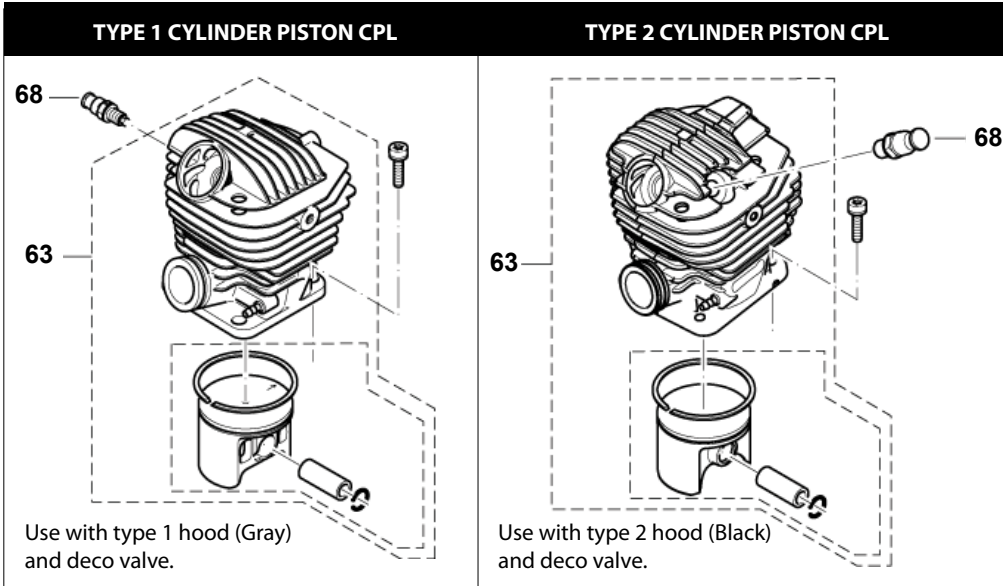
Products with multiple versions are listed in subsiding order with the newest version on top not indented.
Corresponding technical bulletins are attached.

| Section | Fig. No. | Part No. | Description | DCS642120 | Tech Bulletin | Notes |
|---------|----------|-------------|-------------------------------------|-----------|--------------------------|--------------------------|
| 2 | 22 | 038-118-050 | HOOD, DCS6421 | 1 | | |
| 2 | 22 | 038-118-622 | COVER GREY, DCS6401 | 1 | | |
| 2 | 23 | 038-173-101 | AIR FILTER CPL., DCS6401 | 1 | | |
| 2 | 24 | 038-173-011 | AIR FILTER COMPLETE, NYLON, DCS6401 | 1 | | |
| 2 | 25 | 038-118-670 | BOTTOM BLUE, DCS6401 | 1 | | |
| 2 | 25 | 038-118-630 | BOTTOM, blue | 1 | | |
| 2 | 26 | 038-118-110 | RUBBER FLAP | 2 | | |
| 2 | 27 | 938-650-062 | RIVET | 2 | | |
| 2 | 29 | 038-118-083 | ADJUSTING GUIDE, DCS6421 | 1 | | |
| 2 | 29 | 038-118-081 | ADJUSTING GUIDE, DCS6421 | 1 | | |
| 2 | 30 | 038-155-052 | CHOKE LINKAGE, DCS6401 | 1 | | |
| 2 | 30 | 038-155-051 | CHOKE SHAFT, DCS6401 | 1 | | |
| 2 | 31 | 038-155-020 | CHOKE GUIDE | 1 | | |
| 2 | 33 | 001-118-100 | BUSHING | 2 | | |
| 2 | 34 | 038-155-060 | SPACER L=30MM | 2 | | |
| 2 | 35 | 908-005-205 | SCREW 5x20 | 2 | | |
| 2 | 36 | 001-118-100 | BUSHING | 2 | | |
| 2 | 37 | 038-111-050 | CLIP | 2 | | |
| 2 | 38 | 038-111-060 | SQUARE NUT M5 | 2 | | |
| 2 | 39 | 908-204-555 | SCREW 4x55 | 2 | | |
| 2 | 40 | 921-804-004 | SQUARE NUT M4 | 2 | | |
| 2 | 41 | 038-155-012 | RETAINING CLIP, DCS6401 | 1 | | |
| 2 | 42 | 038-131-031 | INSERT FOR SUCTION HOSE, DCS6401 | 1 | | |
| 2 | 43 | 038-171-041 | FLANGE | 1 | | |
| 2 | 44 | 038-131-011 | SUCTION HOSE, DCS6401 | 1 | | |
| 2 | 45 | 965-603-050 | HOSE CLAMP | 1 | | |
| 2 | 46 | 965-452-382 | TUBE, | 1 | | |
| 2 | 46 | 965-452-380 | TUBE,L=65 | 1 | | |
| 2 | 47 | 038-171-012 | CONNECTING MUFF, DCS7901 | 1 | | |
| 2 | 47 | 038-171-011 | CONNECTING MUFF, DCS7901 | 1 | | |
| 2 | 48 | 038-118-050 | TYPE 2 HOOD cpl., black | 1 | 2012-01M | with Type 2 parts 63, 68 |
| 2 | 48 | 038-118-690 | TYPE 1 HOOD cpl., grey | 1 | 2012-01M | with Type 1 parts 63, 68 |
| 2 | 49 | 038-118-140 | INSERT | 1 | | |
| 2 | 50 | 038-118-130 | CABLE GUIDE | 1 | | |

Products with multiple versions are listed in subsiding order with the newest version on top not indented.

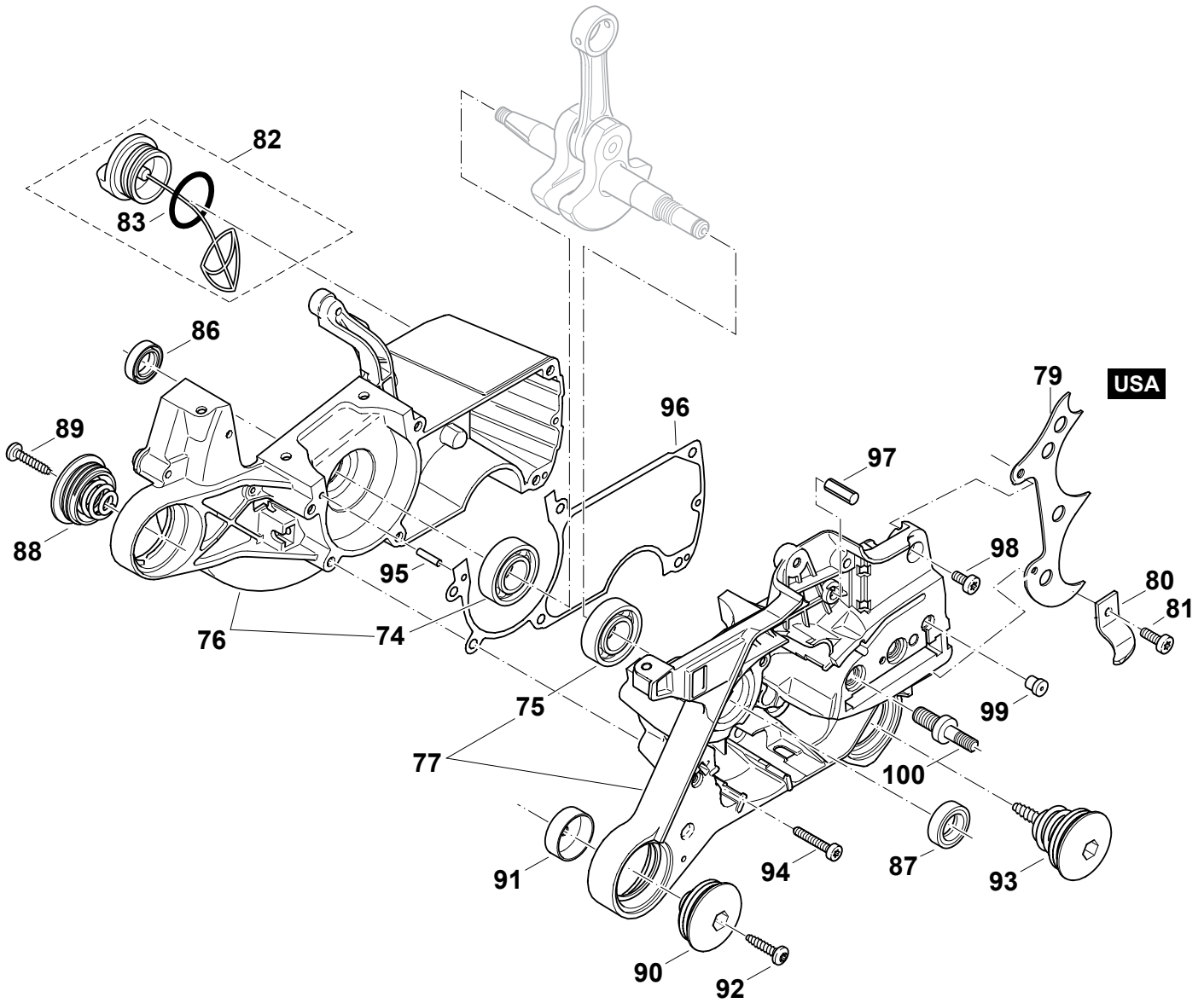
Corresponding technical bulletins are attached.

| Section | Fig. No. | Part No. | Description | DCS642120 | Tech Bulletin | Notes |
|---------|----------|-------------|-----------------------|-----------|---------------|-------|
| 2 | 51 | 917-105-205 | SCREW M5x20 | 2 | | |
| 2 | 52 | 038-171-030 | HOLDER | 1 | | |
| 2 | 53 | 038-118-100 | PLUG | 1 | | |
| 2 | 54 | 130-118-070 | STEEL CLIP, DCS6401 | 2 | | |
| 2 | 54 | 038-118-071 | STEEL CLIP | 2 | | |
| 2 | 55 | 038-174-300 | MUFFLER | 1 | | |
| 2 | 56 | 038-174-910 | SPARK ARRESTOR SCREEN | 1 | | |
| 2 | 58 | 965-531-131 | GASKET, DPC8112 | 1 | | |
| 2 | 59 | 038-174-023 | COVER PLATE, DCS6401 | 1 | | |
| 2 | 59 | 038-174-021 | COVER PLATE, DCS6401 | 1 | | |
| 2 | 60 | 038-174-410 | CONNECTING LINK | 1 | | |
| 2 | 61 | 908-505-555 | SCREW M5x55 | 1 | | |
| 2 | 62 | 908-405-205 | SCREW M5x20 | 2 | | |
| 2 | 313 | 038-174-400 | CARRIER FOR CATALYST | 1 | | |
| 2 | 314 | 908-005-095 | SCREW M5X9, DCS5200I | 2 | | |



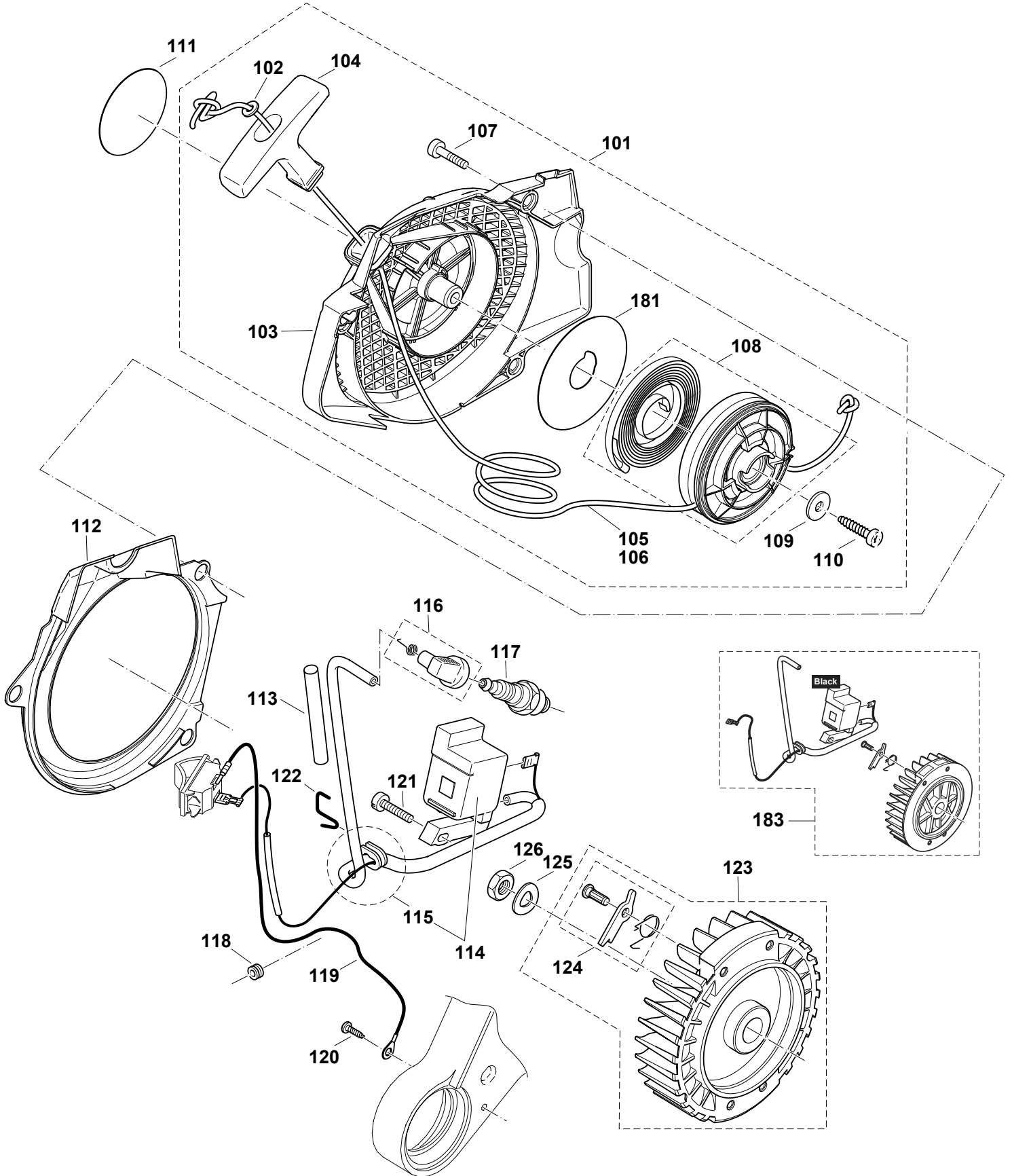
Products with multiple versions are listed in subsiding order with the newest version on top not indented.
Corresponding technical bulletins are attached.

| Section | Fig. No. | Part No. | Description | DCS642120 | Tech Bulletin | Notes |
|---------|----------|-------------|---|-----------|--------------------------|--------------------------|
| 3 | 63 | 040-130-035 | TYPE 2 CYLINDER PISTON CPL., DCS6421 | 1 | 2012-01M | with Type 2 parts 48, 68 |
| 3 | 63 | 040-130-034 | TYPE 1 CYLINDER PISTON CPL., DCS6421 | 1 | 2012-01M | with Type 1 parts 48, 68 |
| 3 | 63 | 040-130-033 | CYLINDER/PISTON CPL., DCS6401 | 1 | | |
| 3 | 64 | 325-132-034 | PISTON CPL., DCS6421 | 1 | | |
| 3 | 64 | 325-132-033 | PISTON CPL. (47), DPC6410 | 1 | | |
| 3 | 65 | 325-132-050 | PISTON RING (D=47) | 1 | | |
| 3 | 66 | 119-132-030 | PISTON PIN | 1 | | |
| 3 | 67 | 119-132-060 | SPRING RING C12x1 | 2 | | |
| 3 | 68 | 038-118-180 | TYPE 2 DECOMPRESSION VALVE | 1 | 2012-01M | with Type 2 parts 48, 63 |
| 3 | 68 | 001-131-150 | TYPE 1 DECOMPRESSION VALVE | 1 | 2012-01M | with Type 1 parts 48, 63 |
| 3 | 69 | 908-805-235 | SCREW W/SPRING WASHER, DPC7331 | 4 | | |
| 3 | 70 | 038-114-152 | SPRING W/THREADED INSERT, DCS6401 | 1 | | |
| 3 | 71 | 965-531-160 | GASKET, DPC6410 | 1 | | |
| 3 | 72 | 038-120-100 | CRANKSHAFT CPL., DCS6421 | 1 | | |
| 3 | 72 | 038-120-021 | CRANKSHAFT, DCS6401 | 1 | | |
| 3 | 73 | 962-210-121 | NEEDLE CAGE, DCS6421 | 1 | | |
| 3 | 73 | 962-210-019 | NEEDLE CAGE | 1 | | |



Products with multiple versions are listed in subsiding order with the newest version on top not indented.
Corresponding technical bulletins are attached.

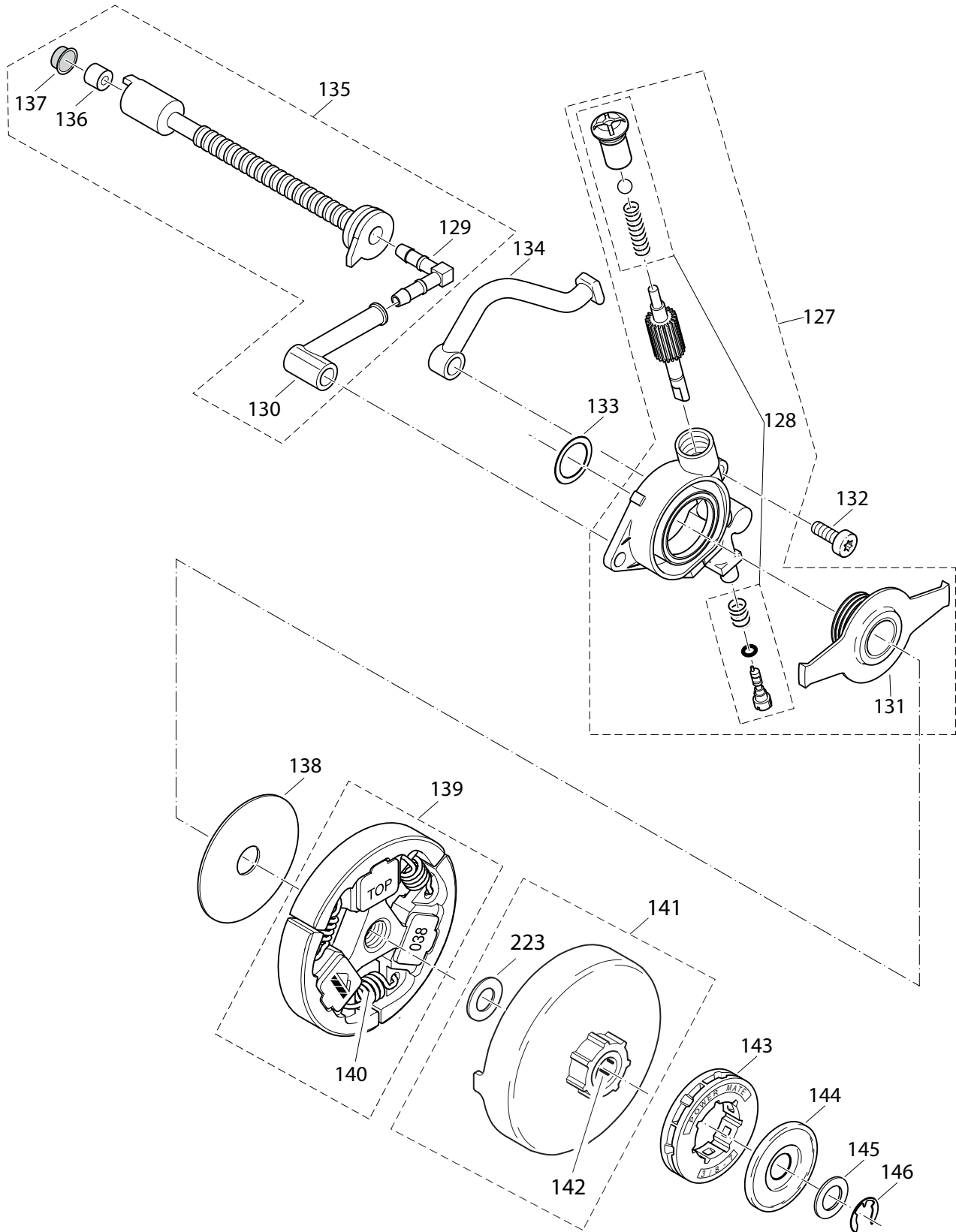
| Section | Fig. No. | Part No. | Description | DCS642120 | Tech Bulletin | Notes |
|---------|----------|-------------|--|-----------|---------------|-------|
| 4 | 74 | 960-102-159 | BALL BEARING 6202 | 1 | | |
| 4 | 75 | 960-102-179 | BALL BEARING 6203 C4 | 1 | | |
| 4 | 76 | 038-111-660 | CRANKCASE MAG.SIDE-BLUE, DCS6401 | 1 | | |
| 4 | 77 | 038-111-641 | CRANKCASE CLUTCH SIDE,BLUE, DCS6401 | 1 | | |
| 4 | 79 | 038-250-202 | SPIKE BAR (CRANKCASE), DCS6421 | 1 | | |
| 4 | 79 | 038-250-201 | SPIKE BAR (CRANKCASE), DCS6401 | 1 | | |
| 4 | 80 | 038-111-171 | CHAIN CATCH, DCS6401 | 1 | | |
| 4 | 81 | 908-005-165 | SCREW 5x16 | 1 | | |
| 4 | 82 | 010-114-050 | TANK CAP cpl. | 1 | | |
| 4 | 83 | 963-228-030 | PACKING RING 28x3 | 1 | | |
| 4 | 86 | 962-900-052 | RADIAL RING | 1 | | |
| 4 | 87 | 962-900-061 | RADIAL RING 17x28x5/4 | 1 | | |
| 4 | 88 | 038-114-130 | SPRING cpl.,w/cap | 1 | | |
| 4 | 89 | 913-455-204 | SCREW 5.5x20 | 1 | | |
| 4 | 90 | 038-114-130 | SPRING cpl.,w/cap | 1 | | |
| 4 | 91 | 038-114-191 | POT, DCS6401 | 1 | | |
| 4 | 91 | 038-114-190 | POT | 1 | | |
| 4 | 92 | 913-455-204 | SCREW | 1 | | |
| 4 | 93 | 038-114-141 | SPRING, DCS6401 | 1 | | |
| 4 | 94 | 908-005-305 | SCREW 5x30 | 6 | | |
| 4 | 95 | 936-430-160 | SPIRAL CLAMPING PIN 3x16 | 2 | | |
| 4 | 96 | 038-111-042 | GASKET | 1 | | |
| 4 | 97 | 934-660-250 | SLOTTED PIN 6x24 | 1 | | |
| 4 | 98 | 908-005-125 | SCREW 5X12 | 1 | | |
| 4 | 99 | 168504-9 | VENT VALVE | 1 | | |
| 4 | 99 | 010-245-030 | VENT VALVE | 1 | | |
| 4 | 100 | 038-232-011 | FASTENING BOLT, DCS6421 | 2 | | |
| 4 | 100 | 038-232-010 | BOLT | 2 | | |



Products with multiple versions are listed in subsiding order with the newest version on top not indented.

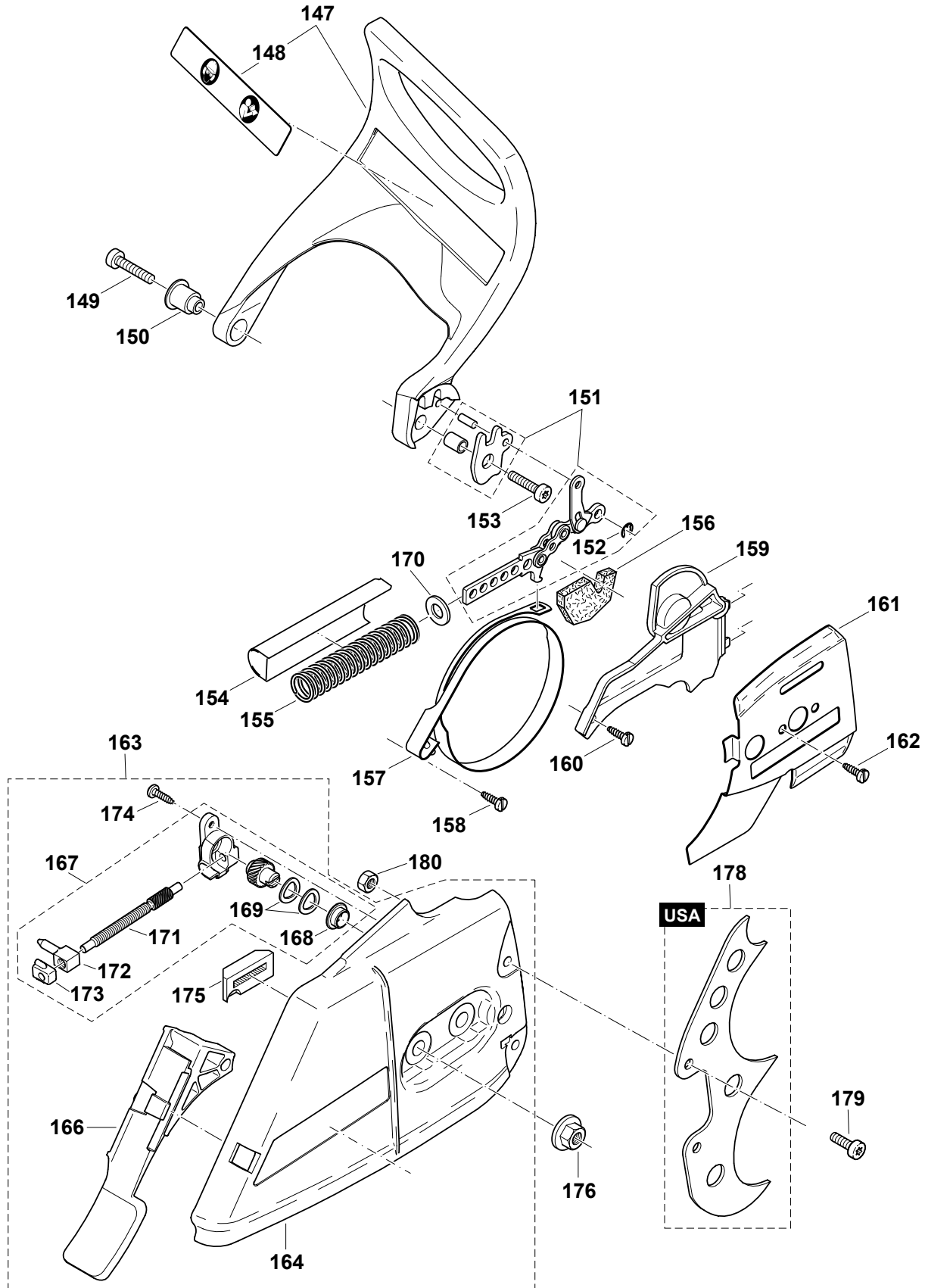
Corresponding technical bulletins are attached.

| Section | Fig. No. | Part No. | Description | DCS642120 | Tech Bulletin | Notes |
|---------|----------|-------------|-------------------------------------|-----------|---------------|-------|
| 5 | 101 | 038-160-610 | STARTER ASS'Y. BLUE, DCS6421 | 1 | | |
| 5 | 101 | 038-160-604 | STARTER ASS'Y., DCS6401 | 1 | | |
| 5 | 102 | 928-405-000 | SPRING WASHER | 1 | | |
| 5 | 103 | 038-112-630 | FAN HOUSING, blue | 1 | | |
| 5 | 104 | 001-161-020 | STARTER GRIP, DPC6410 | 1 | | |
| 5 | 105 | 108-164-020 | STARTER ROPE,(L=980MM) | 1 | | |
| 5 | 106 | 985-000-155 | STARTER ROPE, (L=100M) | 1 | | |
| 5 | 107 | 908-605-205 | SCREW M5x20 | 3 | | |
| 5 | 108 | 038-162-024 | CABLE DRUM, DCS6401 | 1 | | |
| 5 | 109 | 924-605-510 | WASHER 5.5x18x1.6 | 1 | | |
| 5 | 110 | 913-455-204 | SCREW 5.5x20 | 1 | | |
| 5 | 111 | 980-115-539 | LABEL, DCS6421 | 1 | | |
| 5 | 112 | 038-112-020 | AIR DUCT | 1 | | |
| 5 | 113 | 970-502-110 | INSULATING HOSE,L=140 | 1 | | |
| 5 | 114 | 038-143-041 | IGNITION COIL RED, DCS6401H | 1 | | |
| 5 | 115 | 038-143-030 | CABLE HARNESS | 1 | | |
| 5 | 116 | 957-604-240 | PLUG CAP | 1 | | |
| 5 | 117 | 965-603-021 | SPARK PLUG | 1 | | |
| 5 | 118 | 965-401-011 | RUBBER BUSH | 1 | | |
| 5 | 119 | 970-311-540 | EARTH CABLE | 1 | | |
| 5 | 120 | 915-135-100 | SCREW BZ3.5x9.5 | 1 | | |
| 5 | 121 | 908-304-205 | SCREW 4x10x20 S27 | 2 | | |
| 5 | 122 | 038-111-110 | CLIP | 2 | | |
| 5 | 123 | 957-141-000 | FLYWHEEL, DCS6401 | 1 | | |
| 5 | 123 | 038-141-000 | FLYWHEEL ASSY. | 1 | | |
| 5 | 124 | 108-166-051 | STARTER RATCHET cpl. | 2 | | |
| 5 | 125 | 267822-3 | SPRING WASHER | 1 | | |
| 5 | 125 | 926-208-001 | SPRING WASHER | 1 | | |
| 5 | 126 | 920-208-024 | HEXAGONAL NUT M8x1 | 1 | | |
| 5 | 181 | 038-162-050 | SPACER | 1 | | |
| 5 | 183 | 010-038-141 | FLYWHEEL/IGNITION COIL KIT, DCS6401 | 1 | | |



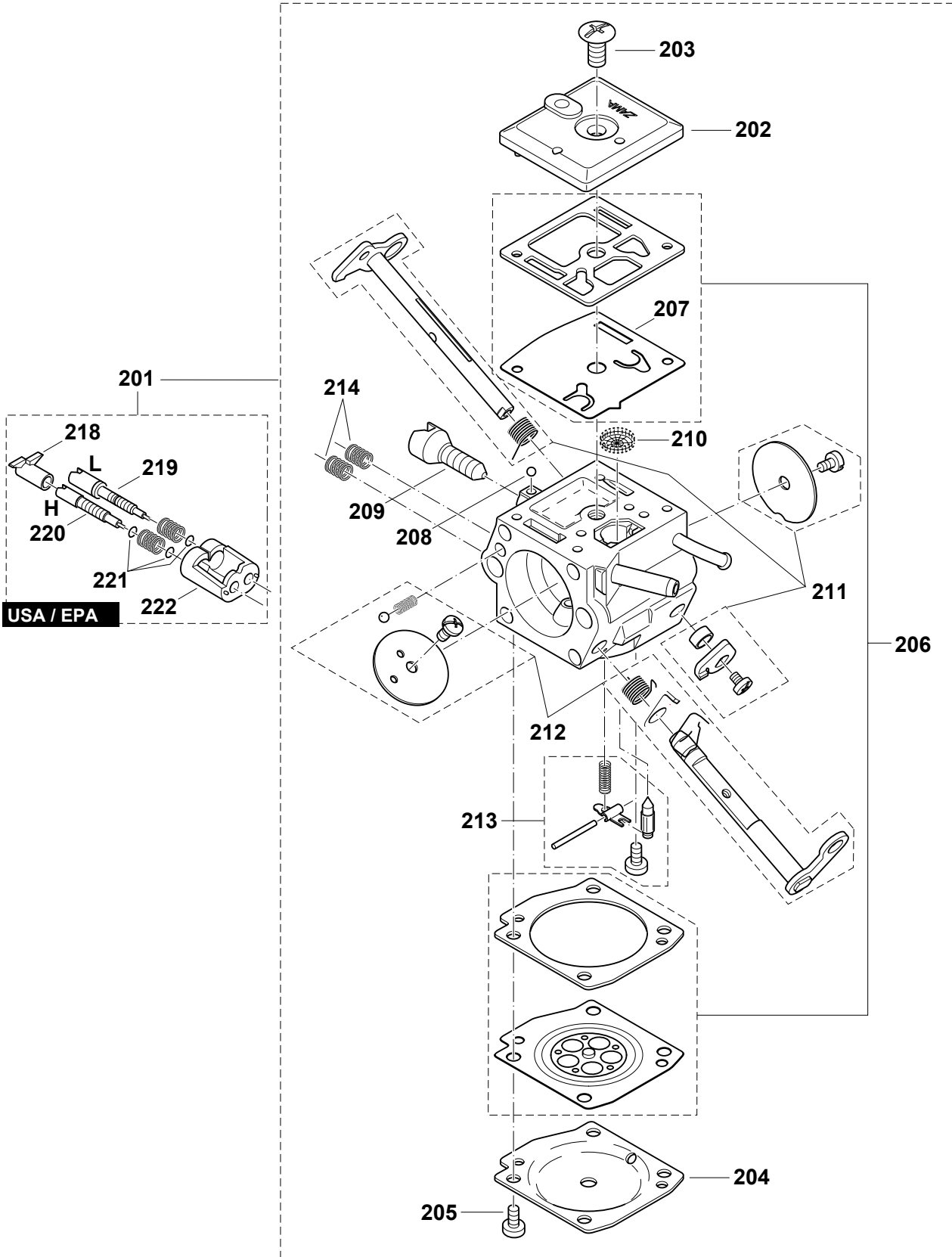
Products with multiple versions are listed in subsiding order with the newest version on top not indented.
Corresponding technical bulletins are attached.

| Section | Fig. No. | Part No. | Description | DCS642120 | Tech Bulletin | Notes |
|---------|----------|-------------|---------------------------|-----------|---------------|-------|
| 6 | 127 | 038-245-011 | OIL PUMP CPL., DCS6401 | 1 | | |
| 6 | 128 | 030-245-070 | REPAIR KIT | 1 | | |
| 6 | 129 | 001-245-140 | ANGULAR NIPPLE | 1 | | |
| 6 | 130 | 038-245-110 | OIL LINE | 1 | | |
| 6 | 131 | 038-245-031 | PUMP DRIVE, DCS6401 | 1 | | |
| 6 | 132 | 908-005-125 | SCREW 5x12 | 2 | | |
| 6 | 133 | 038-224-021 | DISC, DCS6401 | 1 | | |
| 6 | 134 | 038-245-061 | OIL LINE, DCS6401 | 1 | | |
| 6 | 135 | 038-245-020 | SUCTION LINE OIL cpl. | 1 | | |
| 6 | 136 | 900-005-066 | DISTANCE RING | 1 | | |
| 6 | 137 | 963-601-100 | STRAINER SCREEN | 1 | | |
| 6 | 138 | 001-182-042 | GUIDE DISC, DCS6401 | 1 | | |
| 6 | 139 | 038-180-012 | CLUTCH ASS'Y, DCS6421 | 1 | | |
| 6 | 139 | 038-180-011 | CLUTCH ASS'Y, DCS6401 | 1 | | |
| 6 | 140 | 024-184-021 | SPRING | 3 | | |
| 6 | 141 | 957-223-092 | CLUTCH DRUM CPL., DCS6401 | 1 | | |
| 6 | 142 | 962-300-009 | NEEDLE SLEEVE, DCS510 | 1 | | |
| 6 | 143 | 119-224-070 | RIM SPROCKET, T=3/8" | 1 | | |
| 6 | 144 | 181-224-081 | DISC, DCS510 | 1 | | |
| 6 | 145 | 021-224-011 | DISC, DCS340 | 1 | | |
| 6 | 146 | 927-408-000 | WASHER, D=8x1.3 | 1 | | |
| 6 | 223 | 900-007-010 | WASHER, DCS6401 | 1 | | |



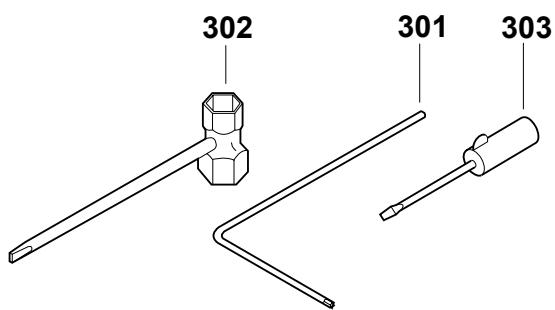
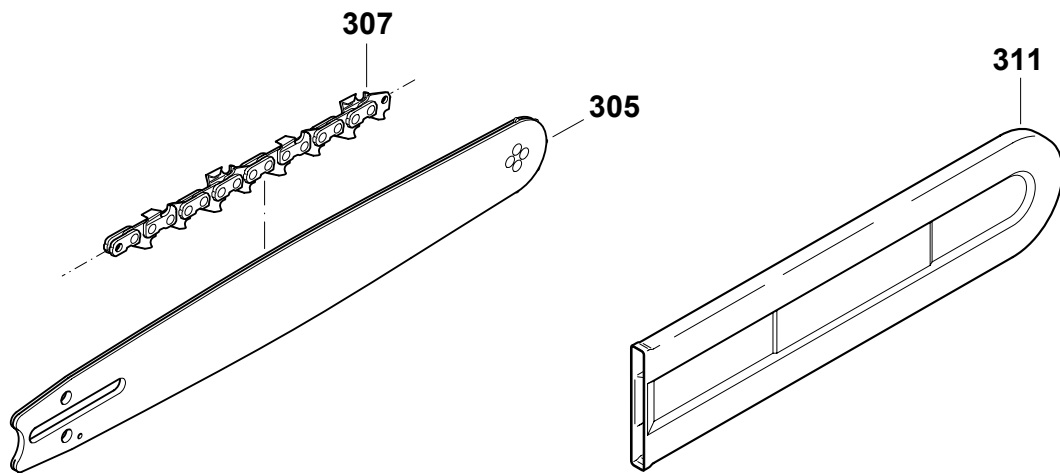
Products with multiple versions are listed in subsiding order with the newest version on top not indented.
Corresponding technical bulletins are attached.

| Section | Fig. No. | Part No. | Description | DCS642120 | Tech Bulletin | Notes |
|---------|----------|-------------|------------------------------|-----------|---------------|-------|
| 7 | 147 | 038-213-221 | HAND GUARD CPL., DCS6401 | 1 | | |
| 7 | 148 | 980-114-237 | LABEL | 1 | | |
| 7 | 149 | 908-405-205 | SCREW 5x20 | 1 | | |
| 7 | 150 | 038-213-160 | BUSHING | 1 | | |
| 7 | 151 | 957-213-030 | BRAKING MECHANISM | 1 | | |
| 7 | 152 | 927-304-000 | WASHER 4 | 1 | | |
| 7 | 153 | 908-005-206 | SCREW 5x20 | 1 | | |
| 7 | 154 | 038-213-152 | POT, DCS6421 | 1 | | |
| 7 | 154 | 038-213-150 | POT | 1 | | |
| 7 | 155 | 038-213-130 | SPRING | 1 | | |
| 7 | 156 | 038-213-200 | FOAM SPONGE | 1 | | |
| 7 | 157 | 038-213-010 | BRAKE SPRING | 1 | | |
| 7 | 158 | 915-135-100 | SCREW BZ3.5x9.5 | 1 | | |
| 7 | 159 | 038-213-040 | PLATE | 1 | | |
| 7 | 160 | 915-135-100 | SCREW BZ3.5x9.5 | 1 | | |
| 7 | 161 | 038-111-030 | GUIDE PLATE | 1 | | |
| 7 | 162 | 915-135-100 | SCREW BZ3.5x9.5 | 1 | | |
| 7 | 163 | 038-213-641 | SPROCKET GUARD CPL., DCS6401 | 1 | | |
| 7 | 164 | 038-213-635 | SPROCKET GUARD, blue | 1 | | |
| 7 | 166 | 038-213-190 | CHIP GUIDE | 1 | | |
| 7 | 167 | 957-213-023 | CHAIN TENSIONER, DCS6401 | 1 | | |
| 7 | 168 | 038-213-080 | BUSHING | 1 | | |
| 7 | 169 | 038-213-210 | SPRING WASHER | 2 | | |
| 7 | 170 | 028-213-011 | WASHER, DCS6421 | 1 | | |
| 7 | 170 | 028-213-010 | WASHER 12x9 | 1 | | |
| 7 | 171 | 957-213-040 | TENSIONING SCREW, DCS6401 | 1 | | |
| 7 | 172 | 038-213-091 | SQUARE NUT, DCS6401 | 1 | | |
| 7 | 173 | 038-213-070 | TENSIONING SCREW BEARING | 1 | | |
| 7 | 174 | 915-135-100 | SCREW BZ3.5x9.5 | 1 | | |
| 7 | 175 | 024-213-240 | CHAIN GUIDE | 1 | | |
| 7 | 176 | 923-208-004 | HEX. NUT M8 | 2 | | |
| 7 | 178 | 038-250-212 | SPIKE BAR | 1 | | |
| 7 | 178 | 038-250-211 | SPIKE BAR, DCS6401 | 1 | | |
| 7 | 179 | 908-005-125 | SCREW M5x12 | 2 | | |
| 7 | 180 | 920-405-000 | HEX. NUT M5 | 2 | | |



Products with multiple versions are listed in subsiding order with the newest version on top not indented.
Corresponding technical bulletins are attached.

| Section | Fig. No. | Part No. | Description | DCS642120 | Tech Bulletin | Notes |
|---------|----------|-------------|--|-----------|---------------|-------|
| 8 | 201 | 038-153-515 | CARBURETOR W/ADJUSTING GUIDE, DCS6421 | 1 | | |
| 8 | 201 | 038-153-500 | CARBURETOR CPL., , DCS6421 | 1 | | |
| 8 | 201 | 038-153-023 | CARBURETOR, DCS6401 | 1 | | |
| 8 | 202 | 038-153-030 | PUMP COVER | 1 | | |
| 8 | 203 | 038-153-360 | SCREW | 1 | | |
| 8 | 204 | 038-153-040 | DIAPHRAGM COVER | 1 | | |
| 8 | 205 | 001-153-020 | SCREW | 4 | | |
| 8 | 206 | 038-153-410 | DIAPHRAGM/GASKETS SET, DCS6401 | 1 | | |
| 8 | 207 | 038-153-070 | PUMP DIAPHRAGM | 1 | | |
| 8 | 208 | 038-153-210 | LOCKING BALL | 1 | | |
| 8 | 209 | 038-153-220 | IDLE STOP SCREW (S) | 1 | | |
| 8 | 210 | 036-153-040 | SCREEN, DCS34 | 1 | | |
| 8 | 211 | 957-153-061 | THROTTLE SHAFT KIT, DCS6401 | 1 | | |
| 8 | 212 | 957-153-051 | CHOKE SHAFT KIT, DCS6401 | 1 | | |
| 8 | 213 | 957-153-070 | CONTROL PARTS, DCS6401 | 1 | | |
| 8 | 214 | 038-153-260 | SPRING | 2 | | |
| 8 | 218 | 038-153-310 | LIMITER CAP | 1 | | |
| 8 | 219 | 038-153-290 | IDLE ADJUSTM. SCREW-L | 1 | | |
| 8 | 220 | 038-153-300 | MAIN ADJUSTM. SCREW-H | 1 | | |
| 8 | 221 | 038-153-250 | WASHER | 3 | | |
| 8 | 222 | 038-153-320 | ADJUSTING GUIDE | 1 | | |



Products with multiple versions are listed in subsiding order with the newest version on top not indented.
 Corresponding technical bulletins are attached.

| Section | Fig. No. | Part No. | Description | DCS642120 | Tech Bulletin | Notes |
|---------|----------|--------------|---------------------------------|-----------|---------------|-------|
| 9 | 301 | 940-827-000 | ANGLED SCREW DRIVER | 1 | | |
| 9 | 302 | 941-719-131 | UNIVERSAL WRENCH | 1 | | |
| 9 | 303 | 944-340-001 | SCREW DRIVER | 1 | | |
| 9 | 305 | 445-050-665 | 20" GUIDE BAR .050, 3/8" | 1 | | |
| 9 | 307 | 523-102-072A | 20" CHAIN , .050-3/8,DCS6401-20 | 1 | | |
| 9 | 311 | 952-100-653 | CHAIN PROTECTION,20-24" | 1 | | |