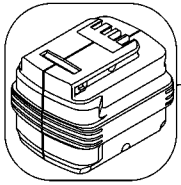


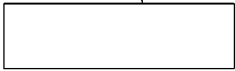
871



866

2

103



DATE CODE

101

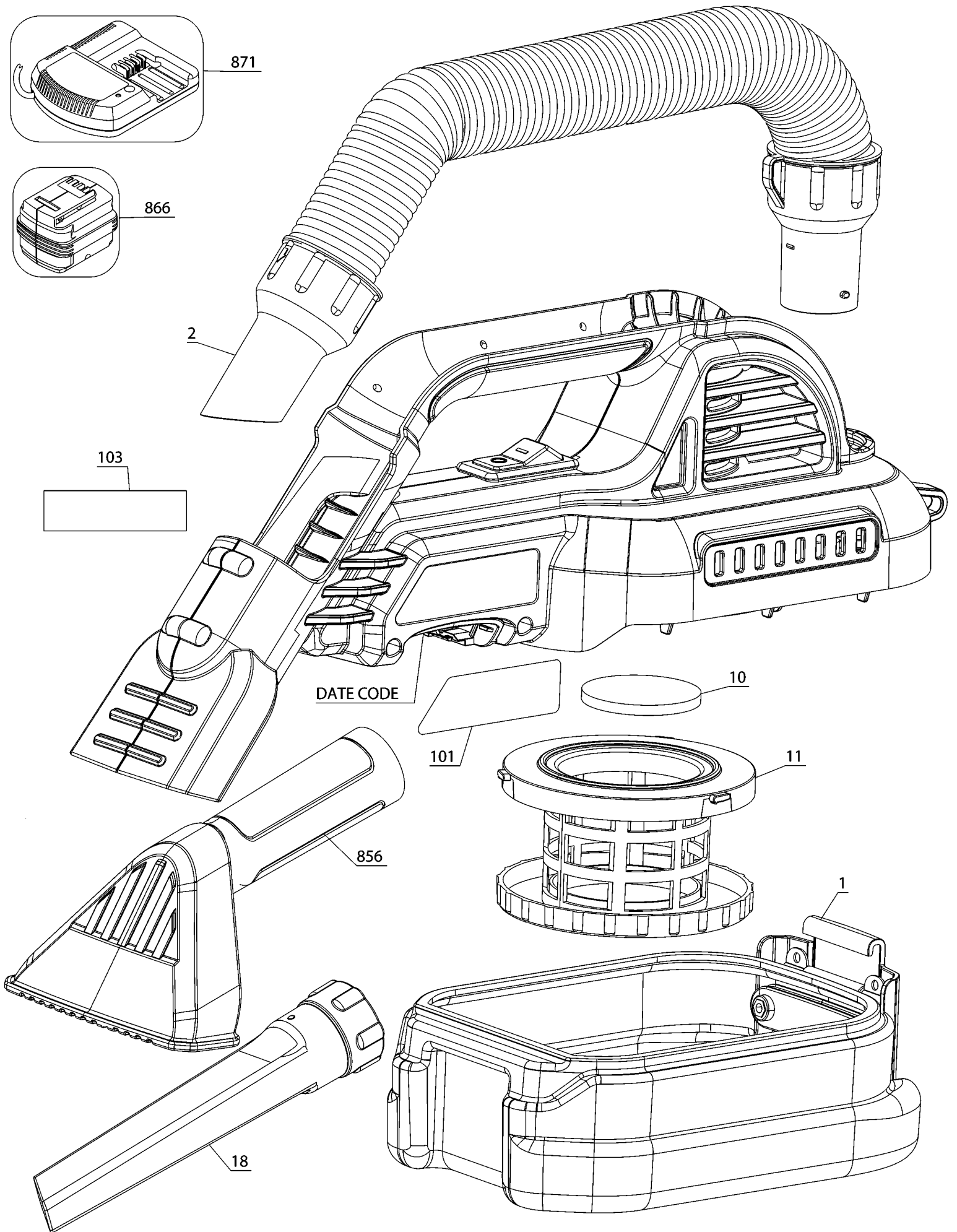
10

11

856

1

18



Parts List for DCV517M1 Type 1

Item Number	Part Number	Description	Qty Required
1	N445802	TANK ASSEMBLY	1
2	N445803	HOSE ASSEMBLY	1
10	N445843	FILTER	1
11	N445836	HEPA FILTER	1
18	N195974	CREVICE TOOL	1
101	N449444	RATING LABEL	1
103	N450479	LABEL WARNING FR/SP	1
856	N195953	WIDE NOZZLE	1
866	DCB204	BATTERY PACK	1
871	DCB115	CHARGER	1