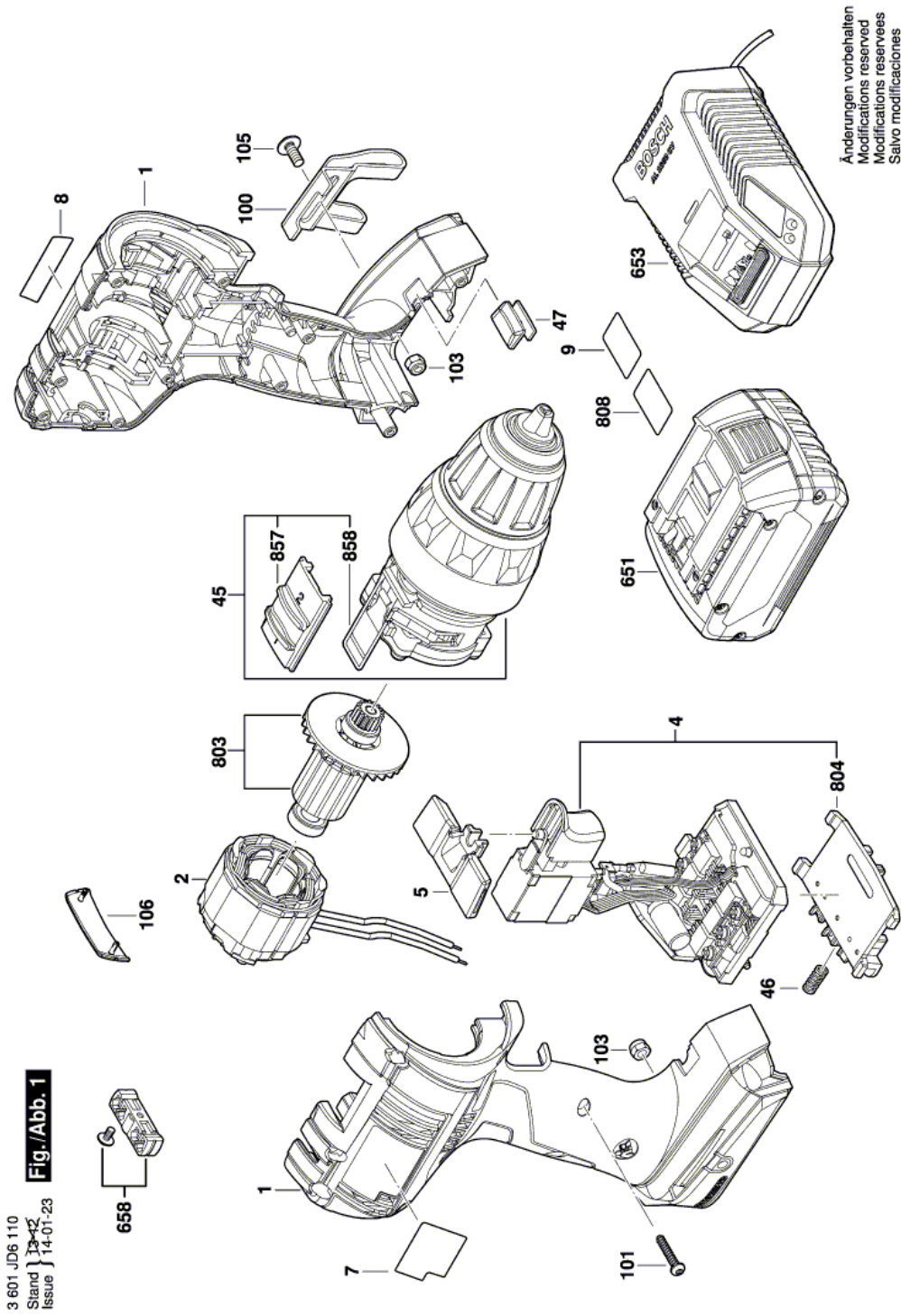


Illustration - Type E



Information subject to change without further notice.

Cordless Drill Driver - 3 601 JD6 110 - DDS182

www.powertools-aftersaleservice.com



BOSCH

Item	Part Number	Description	Illustration	Price	Quantity	Price Group
1	2 609 101 226	Housing	1	-,-	1	33
2	1 619 P08 583	Stator 18V	1	-,-	1	38
4	1 600 A00 1BG	Electronic Module	1	-,-	1	45
5	2 609 101 227	Adjusting lever	1	-,-	1	11
7	2 609 134 642	Warning Label	1	-,-	1	13
8	2 609 134 640	Nameplate	1	-,-	1	13
9	2 609 134 644	Reference Plate	1	-,-	1	13
45	2 609 111 566	Gear Box	1	-,-	1	47
46	1 609 280 477	Compression Spring	1	-,-	1	11
47	2 609 100 858	Lens	1	-,-	1	11
100	2 609 110 956	Clip	1	-,-	1	20
101	2 609 110 353	Torx Oval-Head Screw	1	-,-	10	10
103	2 609 110 835	Nut	1	-,-	2	10
105	2 609 110 834	Screw	1	-,-	1	10
106	2 609 101 409	Color clip	1	-,-	1	11
651	2 607 336 875	Slide-In Accu Package 18V 2,0 Ah LI	1	-,-	1	49
653	2 607 225 429	Fast Charger USA 120/10,8-18V, 1h	1	-,-	1	41
658	2 609 199 748	Bit holder	1	-,-	1	12
803	2 609 199 671	Rotor 14,4-18V	1	-,-	1	37
804	1 609 280 478	Contact retainer	1	-,-	1	26
808	2 609 134 652	Nameplate	1	-,-	1	13
857	2 609 101 293	Switch Slide	1	-,-	1	12
858	2 609 111 078	Switch Spring	1	-,-	1	10