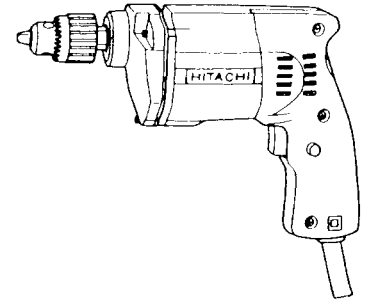
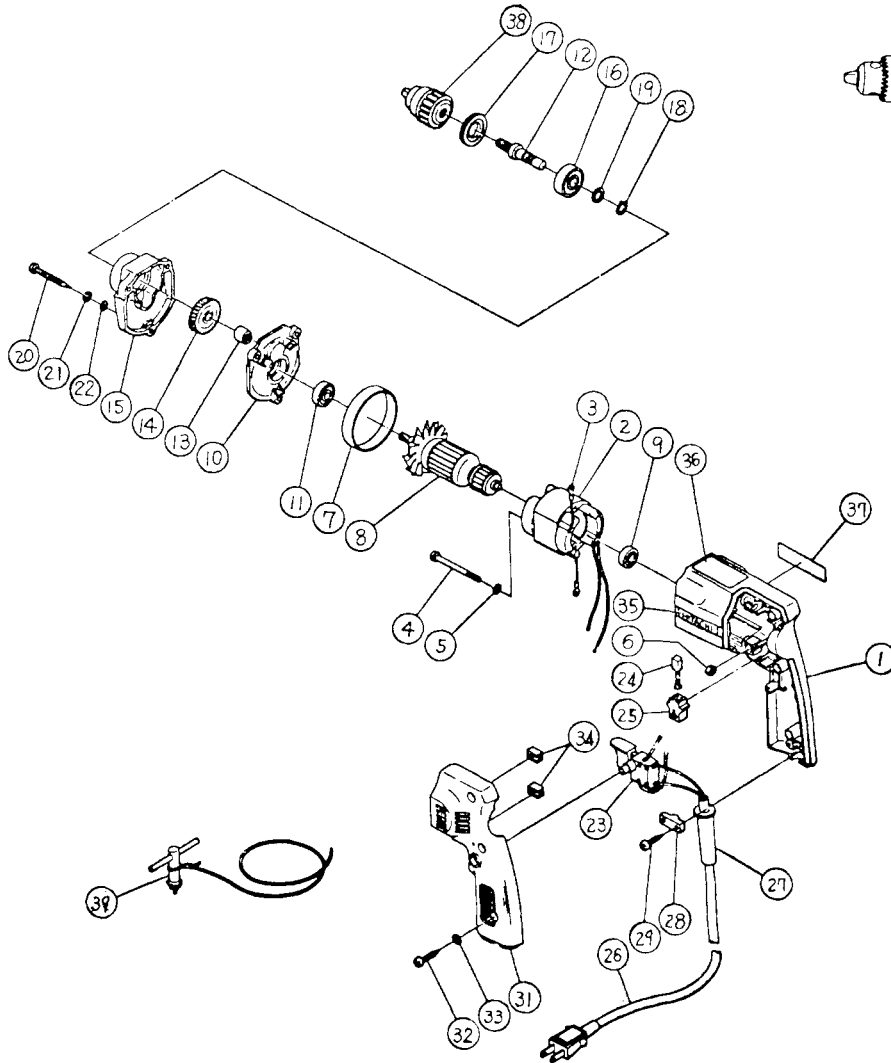




# HITACHI

## 5/16" DRILL

## Model DG-8



ITEM NO.	PART NO.	NO. USED	DESCRIPTION	SUPPLY Q'TY	ITEM NO.	PART NO.	NO. USED	DESCRIPTION	SUPPLY Q'TY
1	950569Z	1	Housing		20	954014	3	Tapping Screw D4×30	
2	950560D	1	Stator Assembly (Includes item 3)		21	949453	3	Spring Washer M4	10
3	960356	2	Terminal (A) D3.5 for stator (old 941562)	10	22	949423	3	Washer M4	10
4	949229	2	Machine Screw M4×45	10	23	950564Z	1	Double Pole Switch	
5	949453	2	Spring Washer M4	10	24	999041	2	Carbon Brush	2
6	949554	2	Nut M4	10	25	955203	2	Brush Holder	
7	950570Z	1	Fan Guide		26	500240Z	1	Cord Asembly w / o terminal	
8	950561C	1	Armature		27	930487	1	Cord Armor	
9	626VVM	1	Ball Bearing 626VVMC2ERPS2S		28	937631	1	Cord Clip	
10	950571Z	1	Inner Cover		29	954004	2	Tapping Screw D4×16	
11	627VVM	1	Ball Bearing 627VVMC2EPS2S		31	950568Z	1	Handle Cover	
12	950562Z	1	Spindle		32	956384	3	Tapping Screw D4×20	
13	670714	1	Needle Bearing HK0810		33	949423	3	Washer M4	10
14	950563Z	1	Gear		34	955648	2	Packing	
15	931619	1	Gear Cover		35	950565	1	HITACHI Label	
16	6200VV	1	Ball Bearing 6200VVCMP2S		36	—	1	Name Plate	
17	931620	1	Bearing Cap		37	—	1	Caution plate	
18	939540	1	Retaining Ring		38	950273Z	1	Drill Chuck 8TL Includes Item 39	
19	945904	1	Washer		39	980057	1	Chuck Wrench	