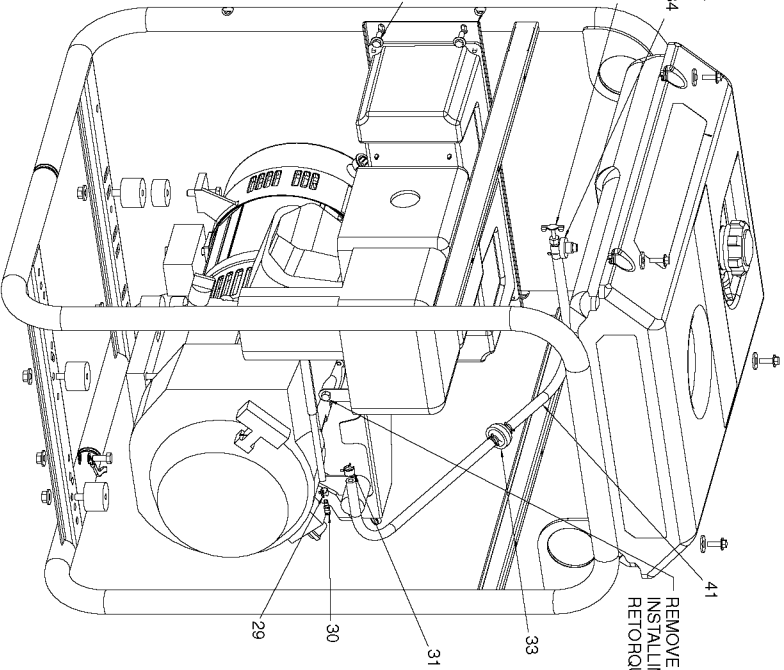


LUBE WITH LIGHT OIL
OR SOAP PRIOR
TO INSTALLATIONS 34

LUBE WITH LIGHT OIL 35
OR SOAP PRIOR
TO INSTALLATIONS

TORQUE
60-70 IN-LBS 24

REMOVE SCREW PRIOR TO
INSTALLING 5
RETORQUE 50-60 IN-LBS



SHOWN FOR REFERENCE ONLY

102

103 TORQUE
104-264 IN-LBS

104

106

107

108 TORQUE
120-144 IN-LBS

103 TORQUE
104-264 IN-LBS

105

109

112 TORQUE
60-70 IN-LBS

116

117 TORQUE
30-40 IN-LBS

118

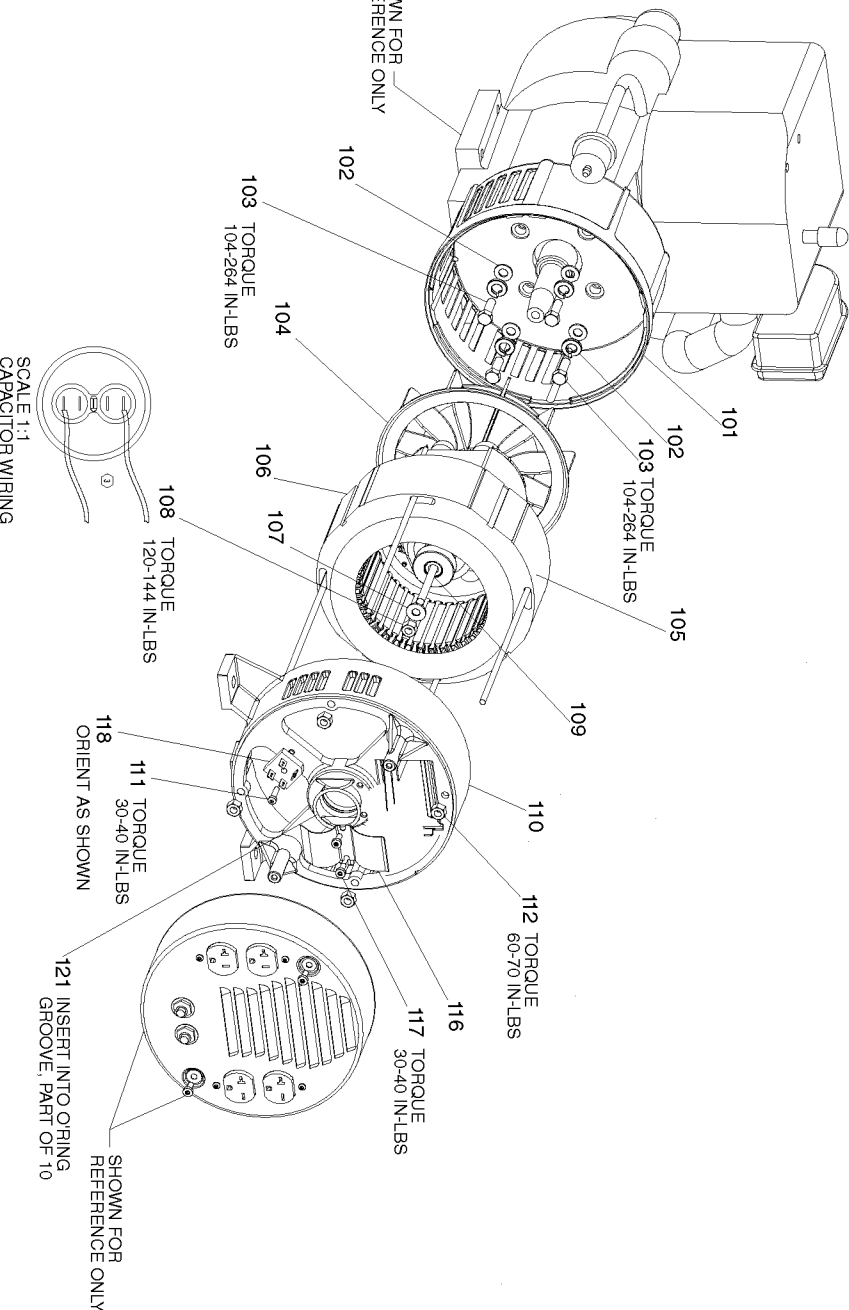
111 TORQUE
30-40 IN-LBS
ORIENT AS SHOWN

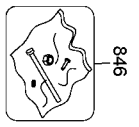
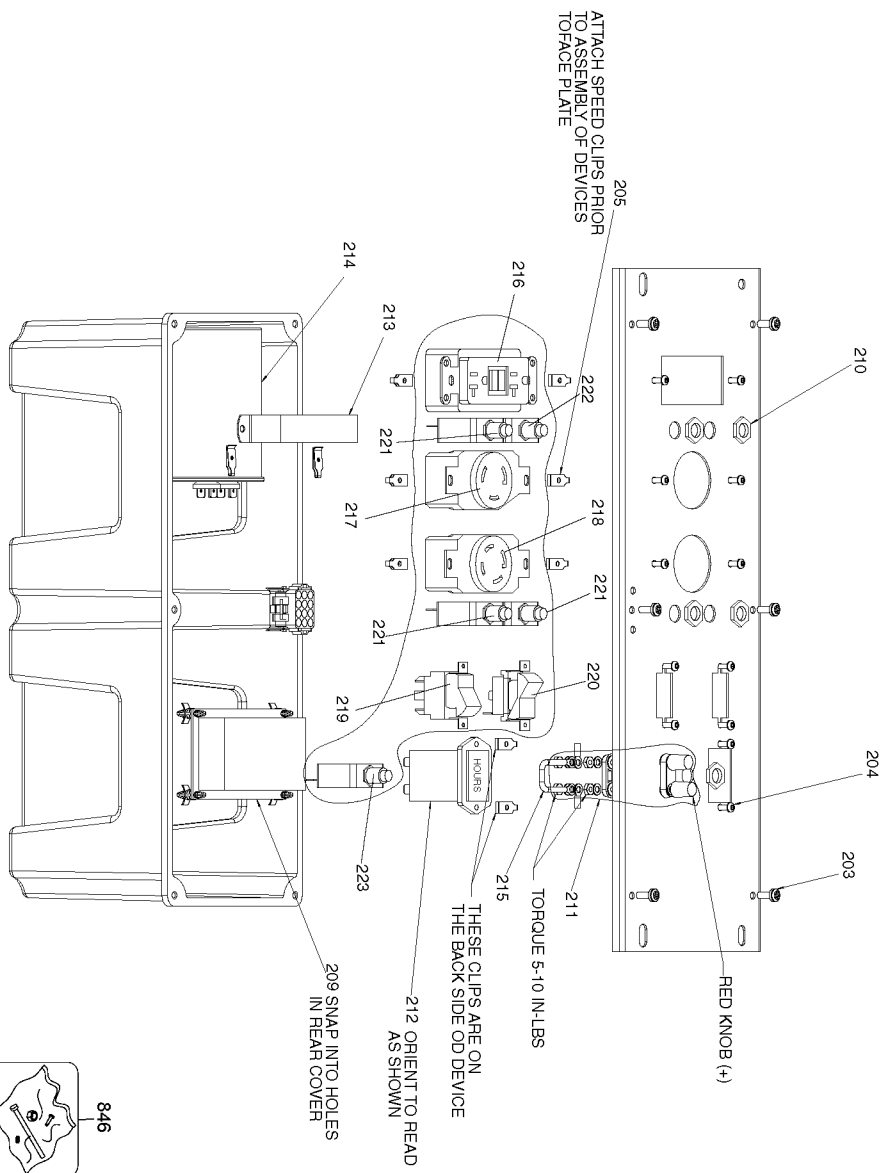
121 INSERT INTO ORING
GROOVE, PART OF 10

SHOWN FOR REFERENCE ONLY



SCALE 1:1
CAPACITOR WIRING





Parts List for DGHC6510-WK Type 0

Item Number	Part Number	Description	Qty Required
1	Z-GS-0795	TANK FUEL 7G SS	1
2	D24273	SHIELD HEAT BSV GHC	1
3	000000-00	No Longer Available	1
4	Z-A14582	HOSE FUEL	1
5	000000-00	No Longer Available	1
6	GS-0763	CLIP SNAP-IN FUEL LI	1
7	330016-13	WASHER	10
8	000000-00	No Longer Available	1
9	5140123-06	SCREW	10
10	GS-0118	STRAP GROUND	1
11	GS-0033	ISOLATOR VIBRATION 1	4
12	SSF-8150	NUT .312-18 UNC HEX	10
13	N017772	LOCK WASHER	10
14	SS-12-CD	SCREW .313-18X.750 H	10
17	GS-0117	LUG GROUND	1
18	000000-00	No Longer Available	1
19	95829230	SCREW .313-18X1.50 H	10
21	SSF-553-1	SCREW #10-24X.563 TH	10
22	GS-0077	COVER END BLANK	1
23	SSN-632	WASHER .875 OD .375	10
24	91895680	SCREW .250-20X.750 H	10
25	GS-0863	CAP FUEL W/GAUGE	1
29	000000-00	No Longer Available	1
30	GS-0535	UNION REDUCER 1/4 X	1
31	GS-0227	CLAMP FUEL .50	1
33	GS-0459	FILTER FUEL	1
34	N103455	GROMMET	1

Parts List for DGHC6510-WK Type 0

Item Number	Part Number	Description	Qty Required
35	GS-0437	DRAIN COCK	1
41	Z-A14582	HOSE FUEL	1
42	000000-00	No Longer Available	1
46	SSF-634	SCREW .313-18X2.00 H	10
47	000000-00	No Longer Available	1
101	000000-00	No Longer Available	1
102	SSN-619	WASHER .375 SPRING L	10
103	5140125-93	SCREW	10
104	000000-00	No Longer Available	1
104	D29822	KIT SERVICE FOCUS MO	1
105	GS-0273	BOLT STATOR THRU 207	4
106	000000-00	No Longer Available	1
106	D29822	KIT SERVICE FOCUS MO	1
107	330016-13	WASHER	10
108	SSF-576	NUT .313-24 HEX W/KE	10
109	GS-0315-1	BOLT ROTOR THRU 207L	1
110	000000-00	No Longer Available	1
111	SSF-3158-1	SCREW #10-24X.750 TH	10
112	SSF-575	NUT .250-20 HEX W/KE	10
116	GS-0595	BRACKET CAPACITOR 2.	1
117	SSF-553-1	SCREW #10-24X.563 TH	10
118	GS-0767	RECTIFIER	1
121	GS-0862	O-RING ROTOR BEARING	1
203	SSF-3156	SCREW #10-9X.500 THD	10
204	SSF-583	SCREW #6-32X.500 PAN	10
205	SSF-584	NUT #6-32 SPEED SELF	10
209	N080007	BOARD ASSY	1

Parts List for DGHC6510-WK Type 0

Item Number	Part Number	Description	Qty Required
210	SSF-595	NUT .438-28 UNEF HEX	10
211	Z-GS-0728	ASSY BINDING POST SS	1
212	GS-0735	METER HOUR	1
213	000000-00	No Longer Available	1
214	GS-0732	CAPACITOR 55uf 3% 44	1
215	GS-0835	ASSY RESISTOR DC SHU	1
216	GS-0644	RECEPTACLE GFCI 120V	1
217	GS-0021	RECEPTACLE 125V 30A	1
218	GS-0455	RECEPTACLE 4 PRONG 3	1
219	GS-0045	SWITCH FULL POWER	1
220	GS-0679	SWITCH IDLE CONTROL	1
221	Z-D20573	BREAKER CIRCUIT 125/	1
222	D21508	BREAKER CIRCUIT	1
223	GS-0681	BREAKER CIRCUIT	1
846	000000-00	No Longer Available	1